



MINIMAG

Parts Manual (EN)

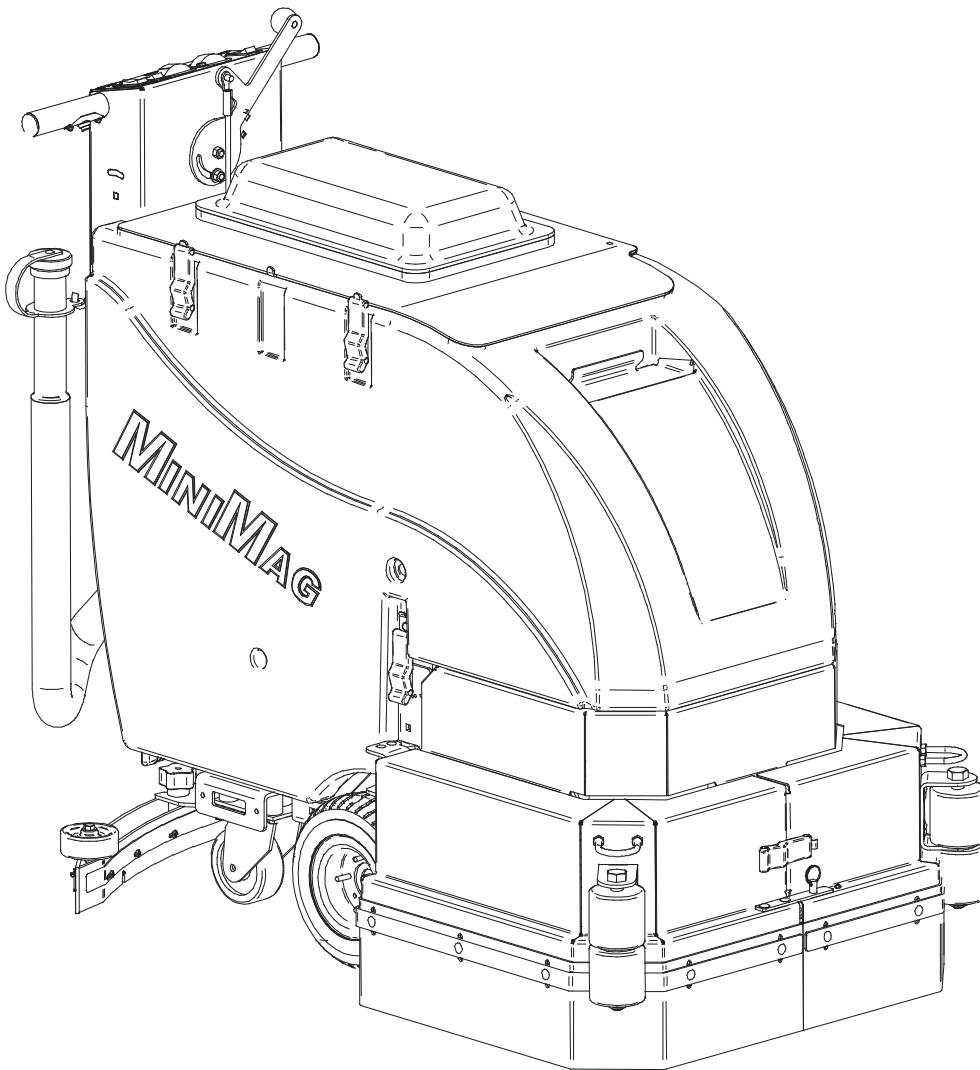
MODELS:

*17" Disk Pad Assist
20" Disk Pad Assist
23" Disk Pad Assist*

*17" Disk Traction
20" Disk Traction
23" Disk Traction
26" Disk Traction
28" Disk Traction*

24" Cylindrical Traction

*20" Orbital Traction
24" Orbital Traction
28" Orbital Traction*



Read the Operators Manual before using the machine.

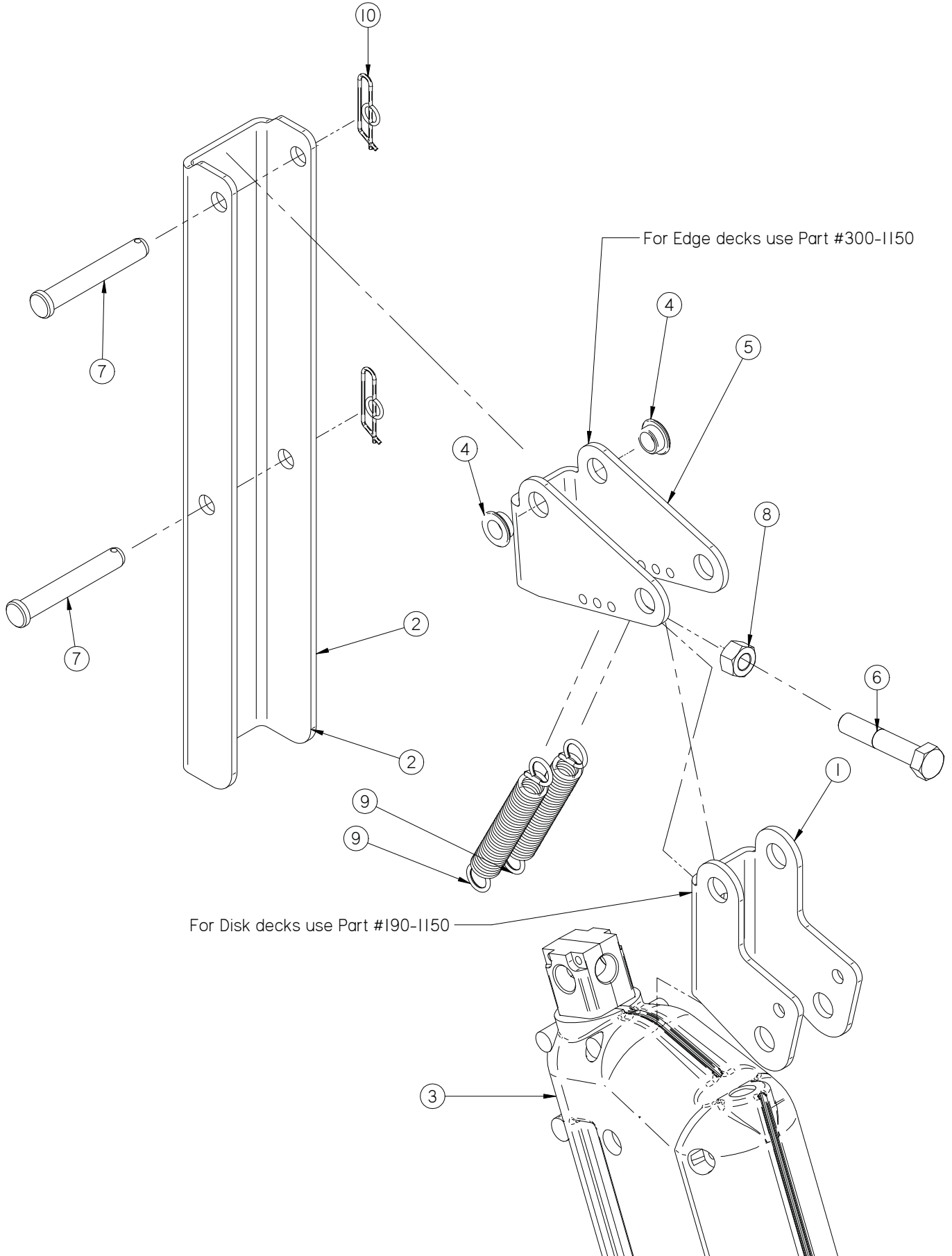


Read the Safety Messages before servicing machine.

Actuator Lift Assembly	4
Tank Assembly.....	6
Tank Assembly.....	8
Tank Baffle Assembly	10
Vac Motor Assembly	11
Frame Assembly-Traction Drive	12
Tall Frame Assembly - Traction Drive	14
Frame Assembly-Brush Drive.....	16
Frame Assembly-Brush Drive.....	18
Tank Lid Assembly.....	20
Squeegee Suspension	22
Control Panel-Brush Drive.....	24
Control Panel-Brush Drive.....	26
Control Panel-Traction Drive	28
Control Panel-Traction Drive	30
32 Inch Squeegee Assembly	32
35 Inch Squeegee Assembly	34
Brush Assist Wheel Assembly	36
17 Inch Disk Deck-Brush Drive.....	38
17 Inch Disk Deck-Traction Drive	40
20 Inch Disk Deck-Brush Drive.....	42
20 Inch Disk Deck-Traction Drive	44
23 Inch Disk Deck-Brush Drive.....	46
23 Inch Disk Deck-Traction Drive	48
26 Inch Disk Deck-Traction Drive	50
28 Inch Disk Deck-Traction Drive	52
17 & 20 Inch Shroud Assembly	54
23 Inch Shroud Assembly	55
26 Inch Shroud Assembly	56
28 Inch Shroud Assembly	57
20-26 Inch Disk Jaws	58
EDGE / ORBITZ Deck Lift Assembly.....	60
24 Inch EDGE / ORBITZ Deck	62
28 Inch EDGE / ORBITZ Deck	63
Cylindrical Deck Assembly - Motors/Drivers.....	64
Cylindrical Deck Assembly - Rollers/Solution Flow	66
Cylindrical Deck Assembly - Lift Arms/Hopper	68
Cylindrical Door Assembly.....	70
Vac Wand Kit	74
Electric Squeegee Lift.....	75
SUDS System.....	76
Battery Packs	78
Common wear parts	80
Suggest parts inventory.....	83

4

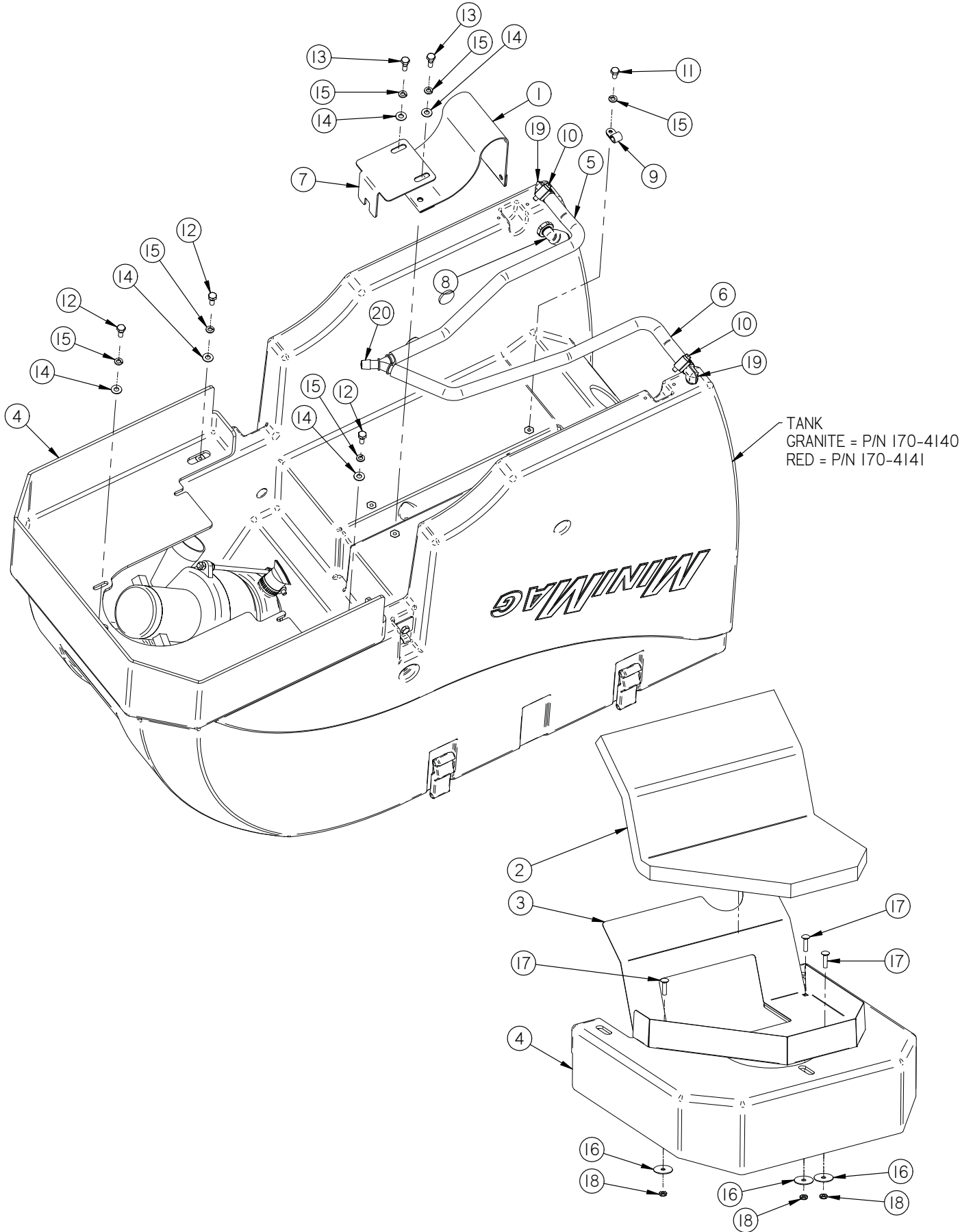
Actuator Lift Assembly



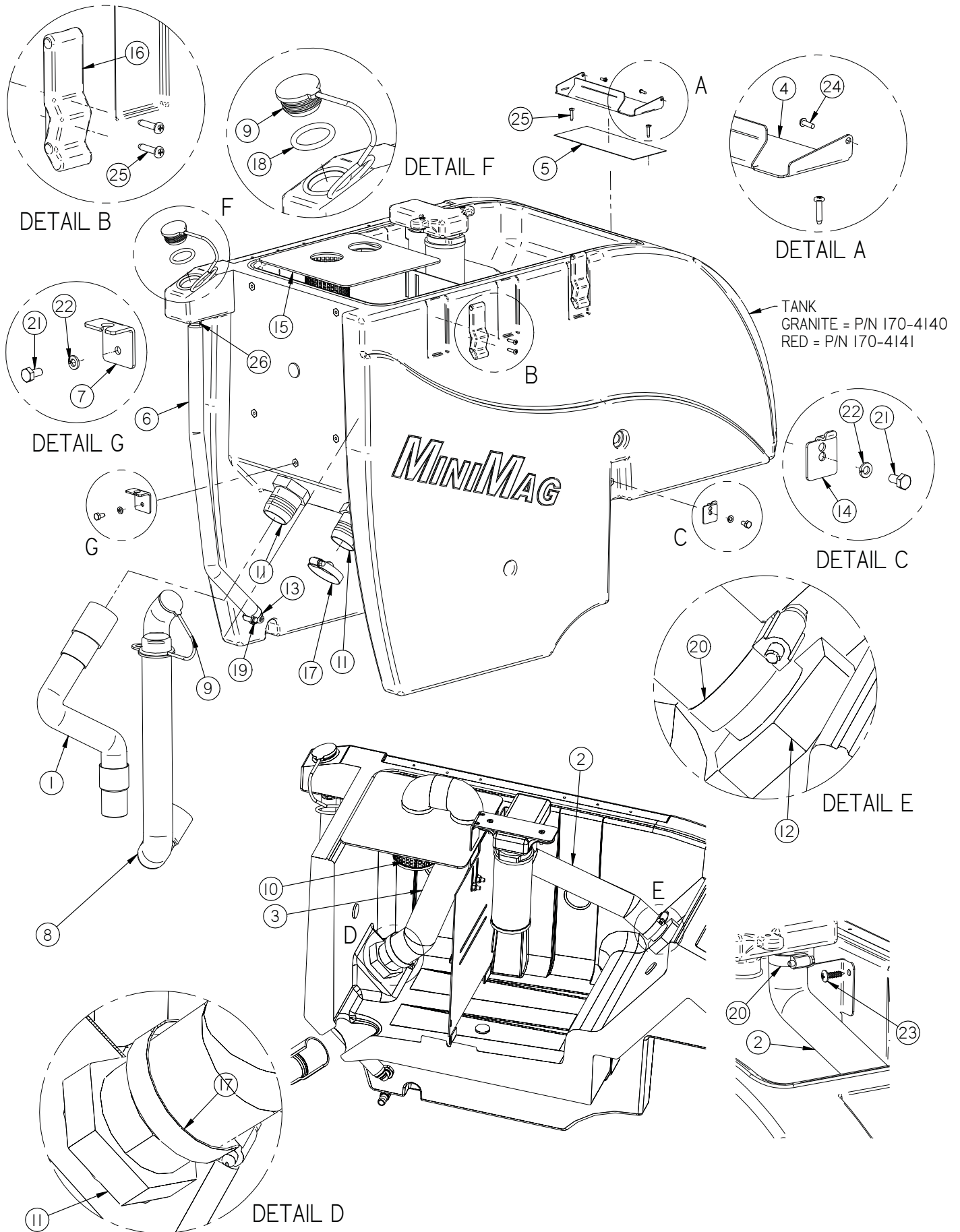
Item	Part Number	Part Description	Qty
1	190-1150	ACTUATOR ARM	1
2	190-1155	ACTUATOR ANCHOR	1
3	253-2210	4" STROKE 24V ACTUATOR 1000 LB LOAD	1
4	290-1233	3/8" ID, 1/2" OD, 1/4" LG BEARING	2
5	300-1150	ACTUATOR ARM	1
6	H-0172949	HCS 3/8"- 24 X 2" SS	1
7	H-15675	CLEVIS PIN, 3/8" X 2-1/2"	2
8	H-70732	HN 3/8"- 24 SS	1
9	H-96544	SPRING, 4-1/8" LG X 9/16" OD (42E)	2
10	H-RUE14	3/8" RUE RING COTTER	2

6

Tank Assembly

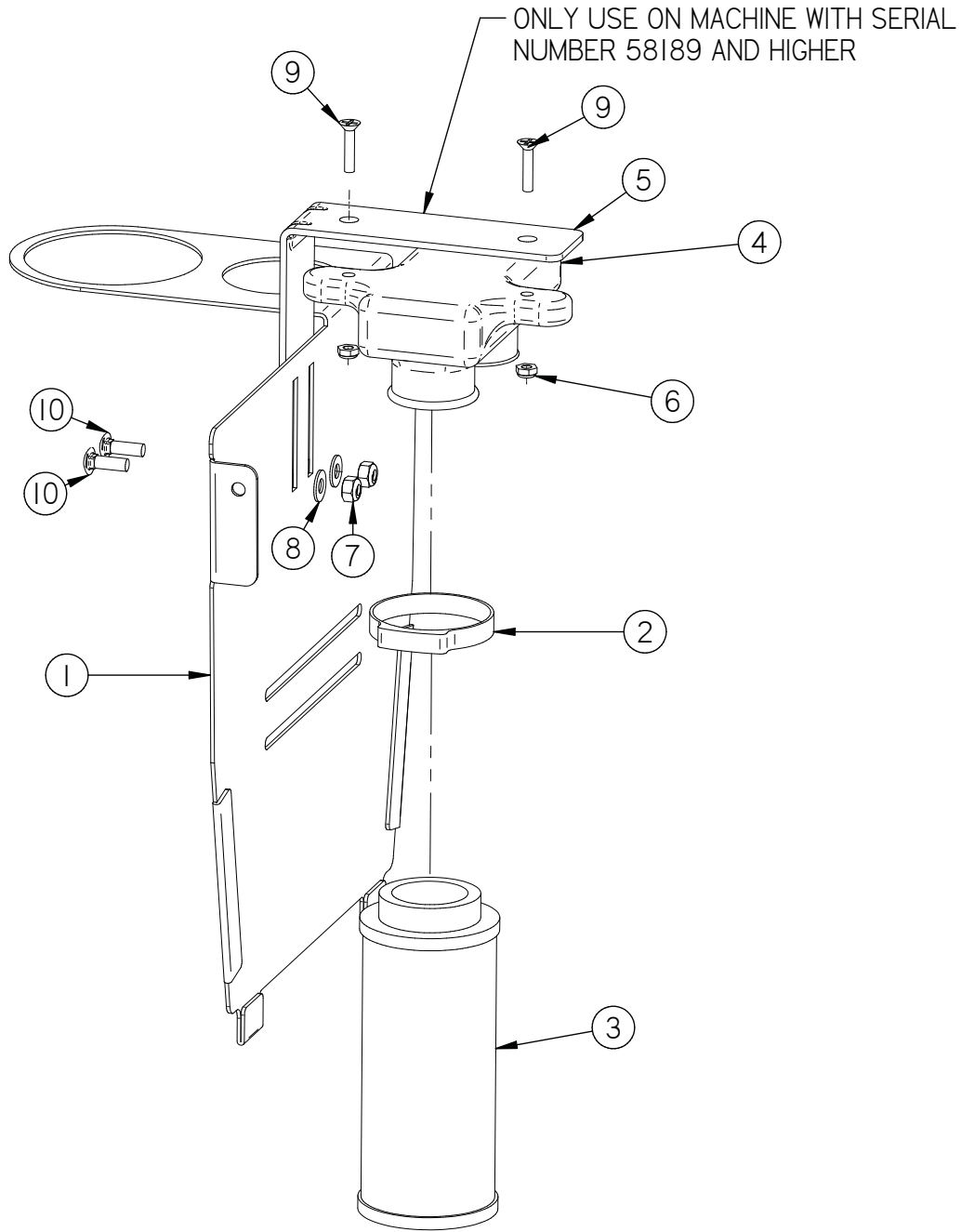


Item	Part Number	Part Description	Qty
1	170-1045	TANK STRAP, 22" LG X 4" WIDE	1
2	170-1137	VAC MOTOR INSULATION	1
3	170-1139	VAC MOTOR INSULATION SUPPORT	1
4	170-1147	BANDEAU COVER (DISK), PLASTIC	1
5	170-1603	1/2" ID X 21" LG WIRE REINF. CLEAR TUBE	1
6	170-1604	1/2" ID X 23" LG WIRE REINF. CLEAR TUBE	1
7	170-4100	WIRE PLATE	1
8	190-5779	ELBOW, MALE 1/2" NPT X 1/2" TUBE OD, GLASS FILLED NYLON	1
9	H-0127288	#6 3/8" RUBBER LOOP CLAMP	1
10	H-081	HOSE CLAMP, 5/8"- 1-1/2" S/S	2
11	H-70001	HCS 1/4"-20 X 1/2 SS"	1
12	H-70002	HCS 1/4"-20 X 5/8" SS	3
13	H-70003	HCS 1/4"-20 X 3/4" SS	2
14	H-71013	FW 1/4 ID X 5/8 OD SS	5
15	H-71063	LW 1/4" SS	6
16	H-71213	FNW 1/4" X 1-1/4" SS	3
17	H-74420	CB 1/4"- 20 X 1.0" SS	3
18	H-NJ04C	JNYL 1/4" - 20 SS	3
19	M-53525K21	ELBOW, 3/8" MNPT X 1/2" BARB, BRASS	2
20	M-5463K727	WYE, 1/2", NYLON	1

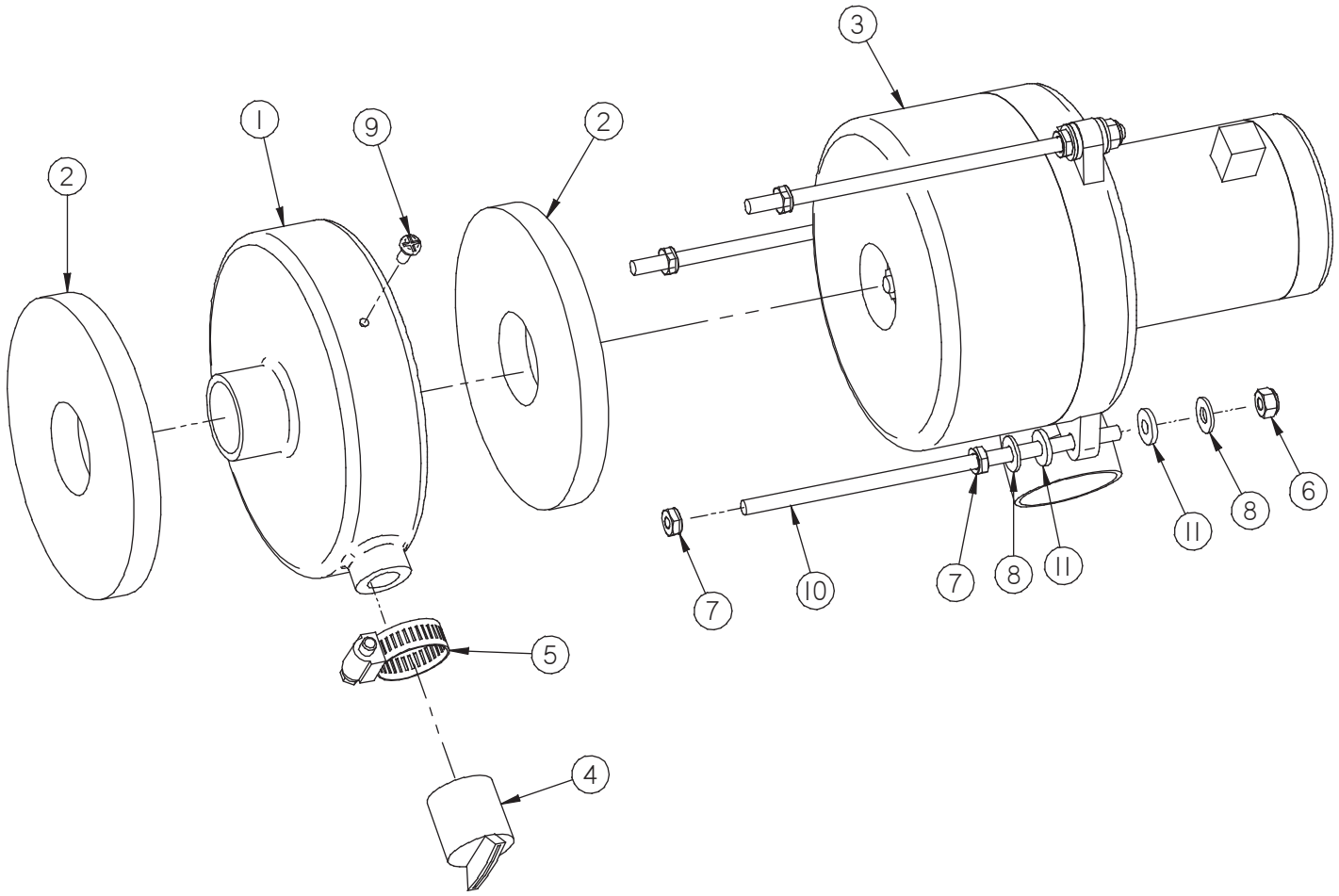


Item	Part Number	Part Description	Qty
1	170-0111	1.50" ID X 35.50" LG MW255 BLACK MG HOSE W/1.50" ENLARGED CUFF ONE END ONLY	1
2	170-0120	BLACK HOSE, 1-1/2" ID X 15" LG WIRE REINF.	1
3	170-0121	GRAY HOSE, 2" ID X 22" LG WIRE REINF.	1
4	170-1180	SOLUTION FILL LID	1
5	170-1220	SCREEN	1
6	170-1370	SIGHT TUBE	1
7	170-7110	SQUEEGEE CABLE GUIDE	1
8	170-7210	DRAIN HOSE	1
9	170-7211	HOSE CAP	2
10	170-8911	SCREEN STRAINER, 4-1/4" LG	1
11	190-1210	2.0" MNPT X 2.0" BARB, PVC	3
12	190-1215	2.0" MNPT X 1.50" BARB, PVC	1
13	190-5779	ELBOW, MALE 1/2" NPT X 1/2" TUBE OD, GLASS FILLED NYLON	1
14	253-1240	CLIP	2
15	370-1129	TANK BACK SPLASH	1
16	4-124	LATCH	2
17	5-719	CLAMP 1 9/16 - 2 1/2 " SS	2
18	5-8290	O-RING, #324, 1.35" X 1.77" X .210" BUNA-N	1
19	5-848	CLAMP 9/16"- 1 1/16" SS	1
20	H-0427612	CLAMP 3/4"- 1-3/4" SS	2
21	H-70001	HCS 1/4"-20 X 1/2 SS"	3
22	H-71063	LW 1/4" SS	2
23	H-71894	#14 X 1" SELF TAPPING SCREW	2
24	H-72904	PPH SMS #6 X 1/2" SS	2
25	H-72916	PPH SMS #8 X 3/4" SS	6
26	M-5346K68	1/2" MNPT X 3/4" BARB, BRASS	1

10 Tank Baffle Assembly

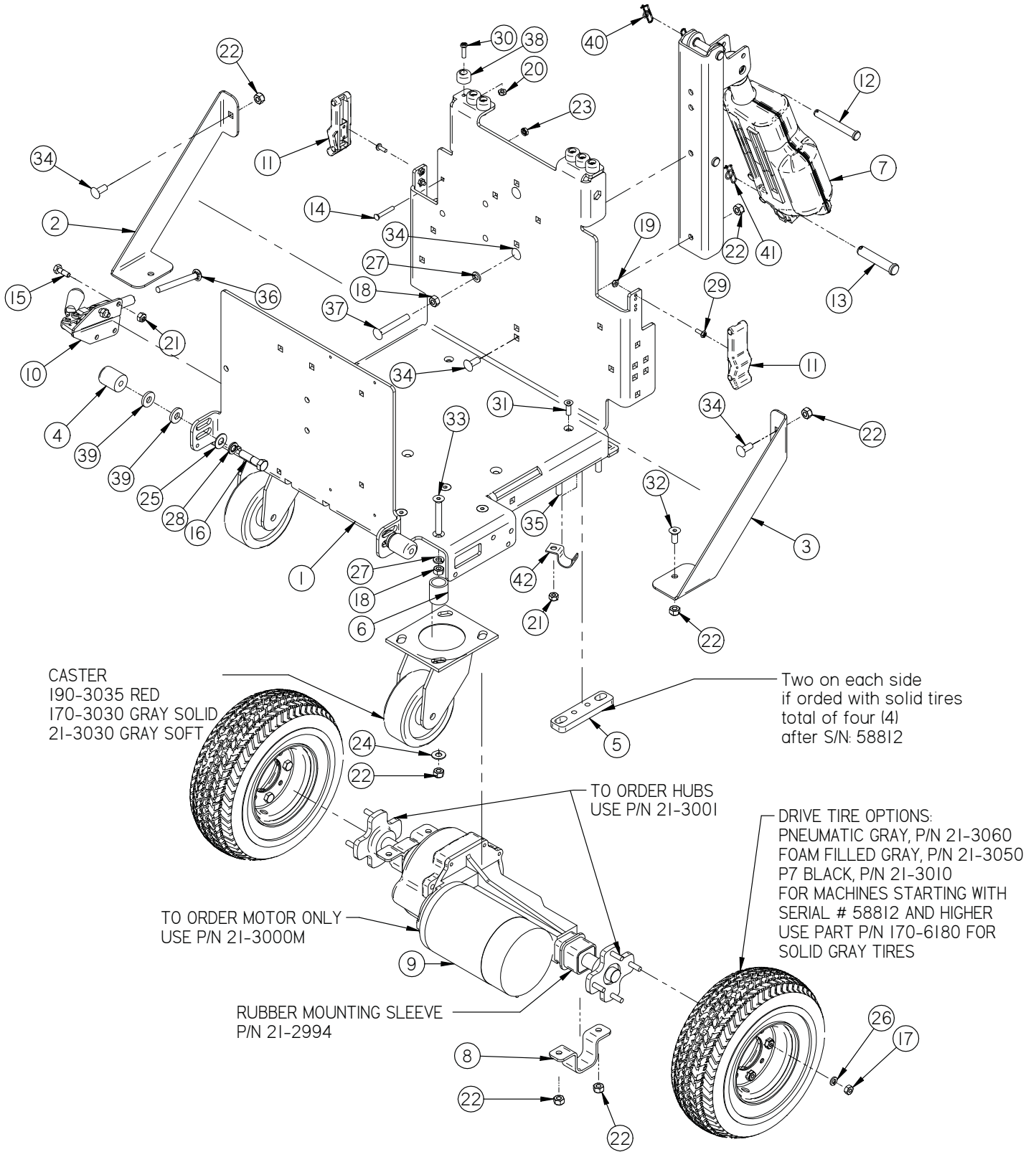


Item	Part Number	Part Description	Qty
1	170-1130	BAFFLE	1
2	21-4028	SNAP GRIP CLAMP	1
3	21-4085	VAC SCREEN	1
4	21-7060	VAC BOX	1
5	370-1122	BALL FLOAT HOLDER	1
6	H-70858	NYLOK #10-32 SS	2
7	H-70860	NYLOK 1/4"- 20 SS	2
8	H-71013	FW 1/4 ID X 5/8 OD SS	2
9	H-72685	FHP 10-32 X 1" SS	2
10	H-74419	CB 1/4"- 20 X .75" SS	2

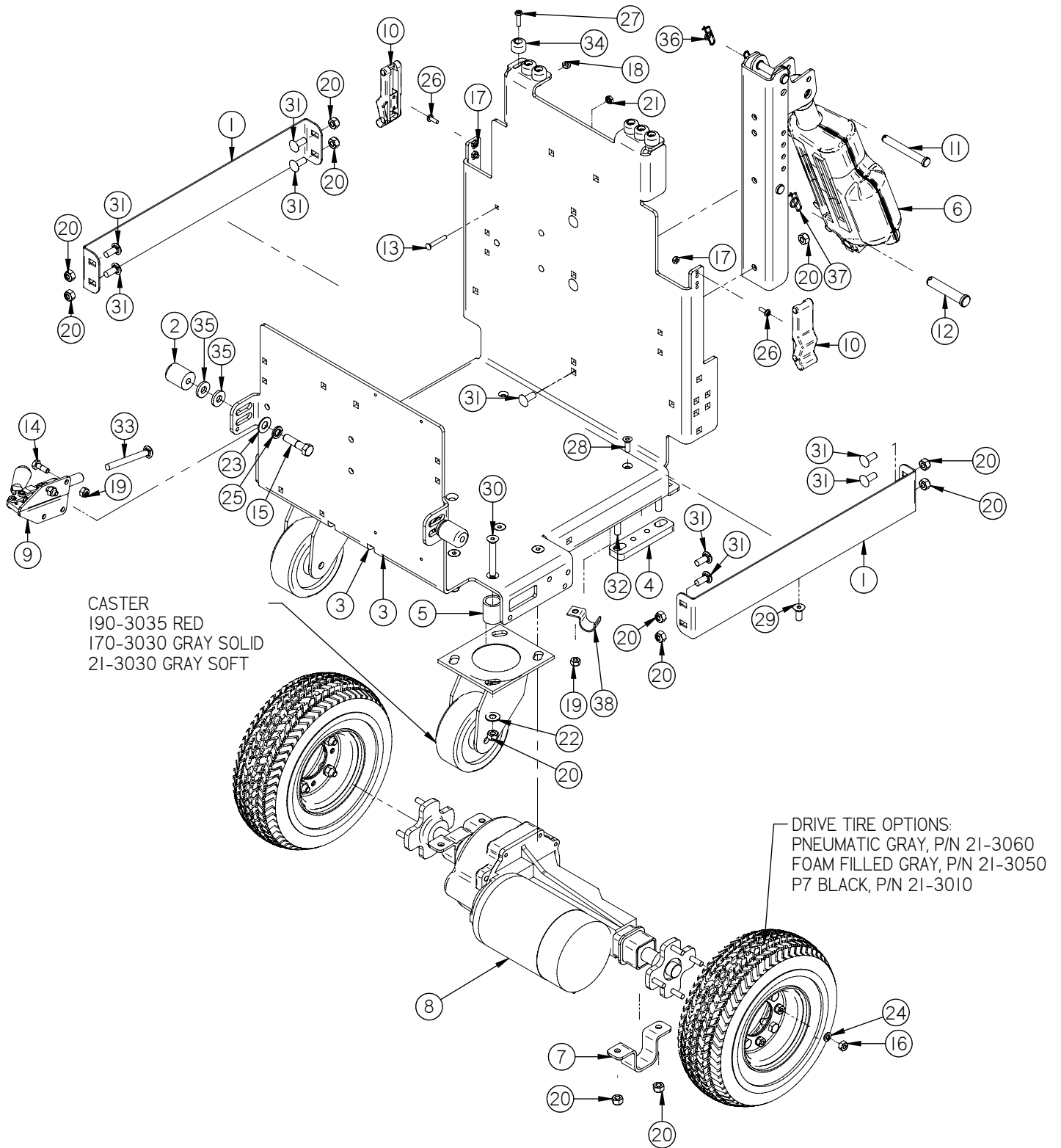


Item	Part Number	Part Description	Optional	Qty
1	190-1450	VAC BOX		1
2	190-3002	VAC MOTOR GASKET		2
3	190-5250	VAC MOTOR, 3/4 HP, TANGENTIAL		1
4	253-1505	LOADER VALVE		1
5	H-62005	CLAMP 5/8"- 1-1/2" SS		1
6	H-70860	NYLOK 1/4"- 20 SS		3
7	H-70925	KN 1/4-20 S/S		6
8	H-71013	FNW 1/4" X 5/8" SS		6
9	H-72515	PPH #10-32 X 1/2" S/S		1
10	H-WI579194	1/4-20 X 7" FT STUD S/S		3
11	M-90130A029	.25" NEOPRENE WASHER		6

12 Frame Assembly-Traction Drive

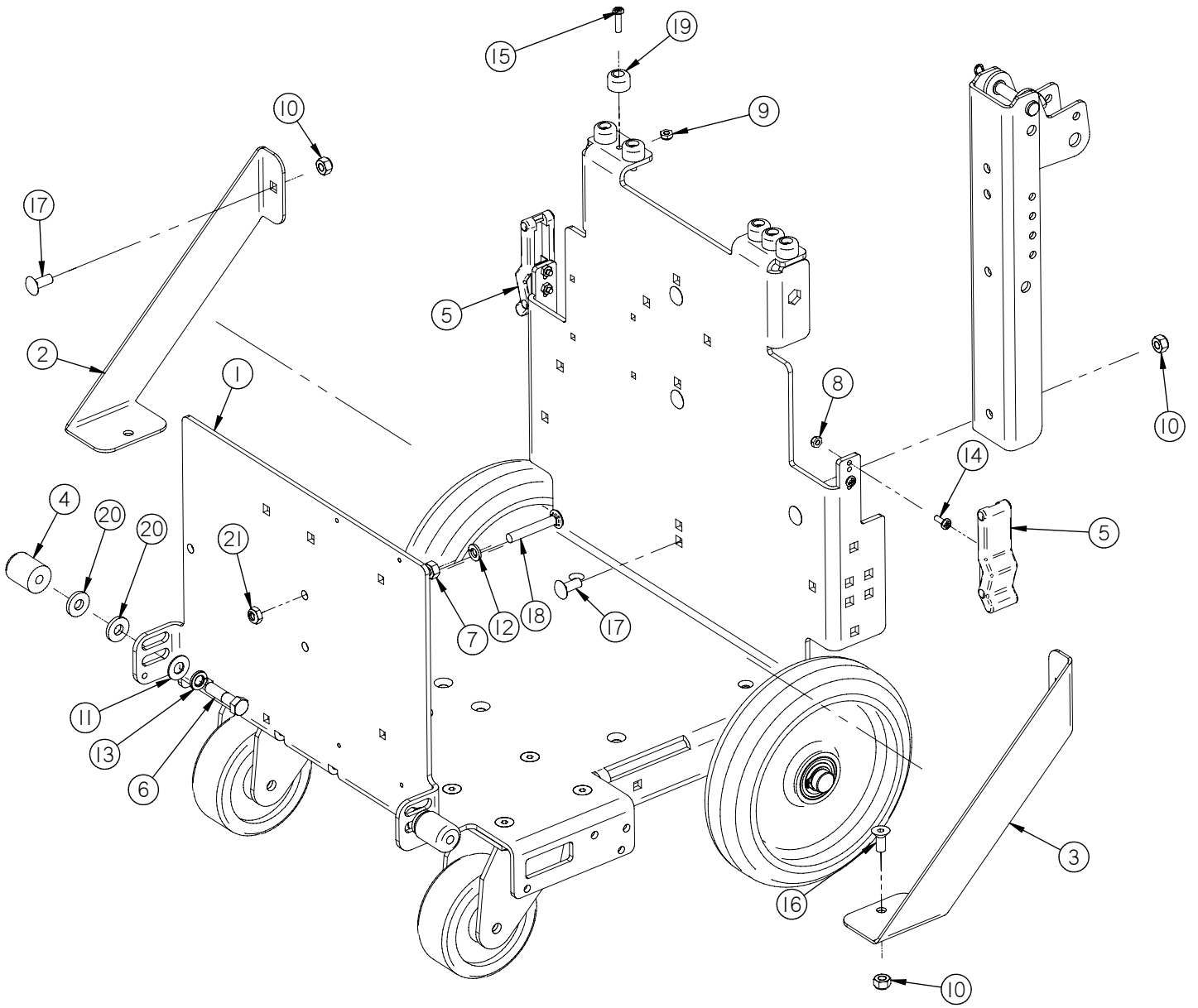


Item	Part Number	Part Description	Qty
1	170-1000	MAINFRAME	1
2	170-1005	FRAME SUPPORT - LH	1
3	170-1006	FRAME SUPPORT - RH	1
4	170-1060	BOSS	2
5	170-1270	TRACTION SPACER	2
6	170-1375	SPACER	8
7	190-2210	4" STROKE 24V ACTUATOR 450 LB LOAD	1
8	21-1010	AXLE MOUNT	2
9	21-3009	TRANSAXLE	1
10	253-4000	PARKING BRAKE (OPTIONAL)	1
11	4-124	LATCH	2
12	H-0156756	CLEVIS PIN 3/8" x 3.00"	1
13	H-0156773	CLEVIS PIN, 1/2" X 2-1/2"	1
14	H-0172522	CB #10-32 X 1-1/4" SS	4
15	H-70003	HCS 1/4"-20 X 3/4" SS	2
16	H-70109	HCS 3/8"- 16 X 1-1/2" SS	2
17	H-70710	HN 1/4"- 20 SS	8
18	H-70711	HN 5/16"- 18 SS	9
19	H-70856	NYLOK #8-32 SS	4
20	H-70858	NYLOK #10-32 SS	6
21	H-70860	NYLOK 1/4"- 20 SS	3
22	H-70861	NYLOK 5/16" - 18 SS	19
23	H-70923	KN #10-32 SS	4
24	H-71015	FW 5/16 ID X 3/4 OD SS	8
25	H-71017	FW 3/8 ID X 7/8 OD SS	2
26	H-71063	LW 1/4" SS	8
27	H-71065	LW 5/16" SS	9
28	H-71067	LW 3/8" SS	2
29	H-72398	PPH #8-32 X 1/2" S/S	4
30	H-72416	PPHMS #10-32 X 3/4" S/S	6
31	H-73882	FHSCS 1/4- 20 X 3/4" S/S	1
32	H-73907	FHSCS 5/16"- 18 X 3/4" SS	2
33	H-73913	FHSCS 5/16"- 18 X 2-1/4" S/S	8
34	H-74429	CB 5/16"- 18 X 3/4" SS	5
35	H-74431	CB 5/16"- 18 X 1-1/4" SS	4
36	H-74435	CB 5/16"- 18 X 3.0" SS	1
37	H-74463	CB 5/16"- 18 X 2-1/4" SS	1
38	H-9540	RUBBER BUMPER, 25/32"	6
39	H-98025	FW 3/8" GRADE 8	4
40	H-RUE14	3/8" RUE RING COTTER	1
41	H-RUE22	1/2" RUE RING COTTER	1
42	M-9434T27	3/4" DIA 1 HOLE TUBE STRAP	1



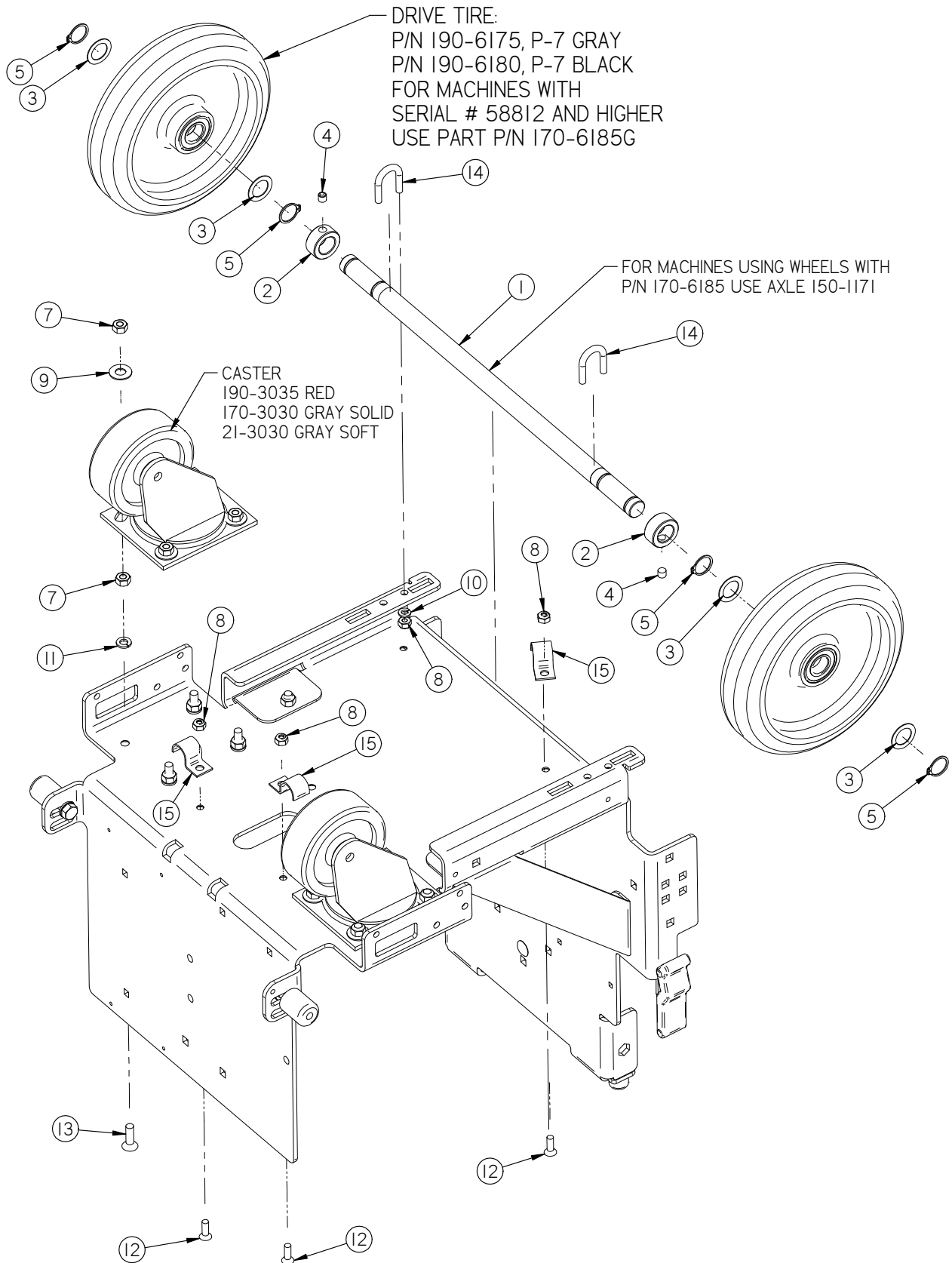
Item	Part Number	Part Description	Qty
1	170-1004	FRAME SUPPORT	2
2	170-1060	BOSS	2
3	170-1100	TALL MINI MAG MAIN FRAME	1
4	170-1270	TRACTION SPACER	2
5	170-1375	SPACER	8
6	190-2210	4" STROKE 24V ACTUATOR 450 LB LOAD	1
7	21-1010	AXLE MOUNT	2
8	21-3009	TRANSAXLE	1
9	253-4000	PARKING BRAKE (OPTIONAL)	1
10	4-124	LATCH	2
11	H-0156756	CLEVIS PIN 3/8" x 3.00"	1
12	H-0156773	CLEVIS PIN, 1/2" X 2-1/2"	1
13	H-0172522	CB #10-32 X 1-1/4" SS	4
14	H-70003	HCS 1/4"-20 X 3/4" SS	2
15	H-70109	HCS 3/8"- 16 X 1-1/2" SS	2
16	H-70710	HN 1/4"- 20 SS	8
17	H-70856	NYLOK #8-32 SS	4
18	H-70858	NYLOK #10-32 SS	6
19	H-70860	NYLOK 1/4"- 20 SS	3
20	H-70861	NYLOK 5/16" - 18 SS	23
21	H-70923	KN #10-32 SS	4
22	H-71015	FW 5/16 ID X 3/4 OD SS	8
23	H-71017	FW 3/8 ID X 7/8 OD SS	2
24	H-71063	LW 1/4" SS	8
25	H-71067	LW 3/8" SS	2
26	H-72398	PPH #8-32 X 1/2" S/S	4
27	H-72416	PPHMS #10-32 X 3/4" S/S	6
28	H-73882	FHSCS 1/4- 20 X 3/4" S/S	1
29	H-73907	FHSCS 5/16"- 18 X 3/4" SS	2
30	H-73913	FHSCS 5/16"- 18 X 2-1/4" S/S	8
31	H-74429	CB 5/16"- 18 X 3/4" SS	11
32	H-74431	CB 5/16"- 18 X 1-1/4" SS	4
33	H-74435	CB 5/16"- 18 X 3.0" SS	1
34	H-9540	RUBBER BUMPER, 25/32"	6
35	H-98025	FW 3/8" GRADE 8	4
36	H-RUE14	3/8" RUE RING COTTER	1
37	H-RUE22	1/2" RUE RING COTTER	1
38	M-9434T27	3/4" DIA 1 HOLE TUBE STRAP	1

16 Frame Assembly-Brush Drive



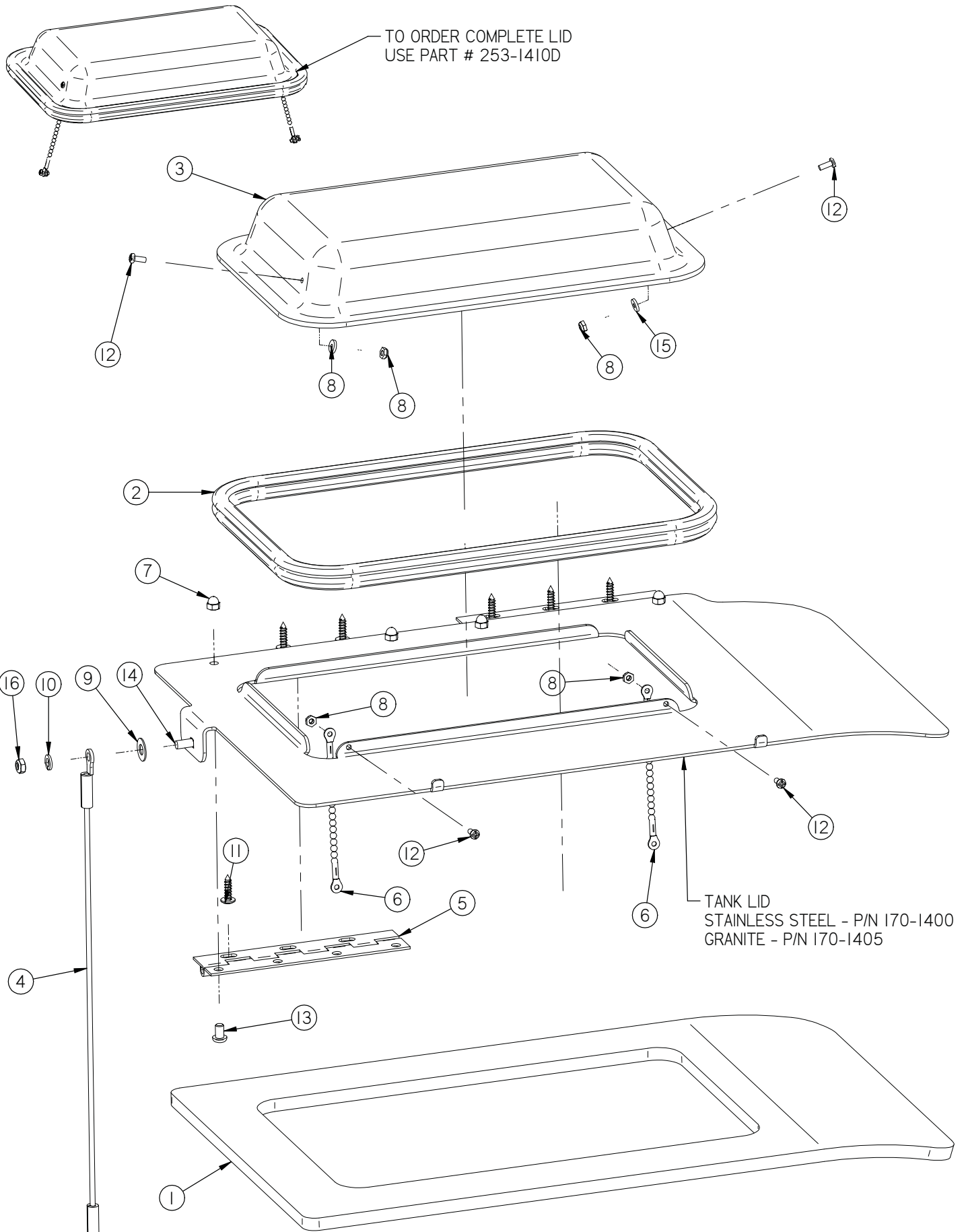
Item	Part Number	Part Description	Qty
1	170-1000	MAINFRAME	1
2	170-1005	FRAME SUPPORT - LH	1
3	170-1006	FRAME SUPPORT - RH	1
4	170-1060	BOSS	2
5	4-124	LATCH	2
6	H-70109	HCS 3/8"- 16 X 1-1/2" SS	2
7	H-70711	HN 5/16"- 18 SS	1
8	H-70856	NYLOK #8-32 SS	4
9	H-70858	NYLOK #10-32 SS	6
10	H-70861	NYLOK 5/16" - 18 SS	7
11	H-71017	FW 3/8 ID X 7/8 OD SS	1
12	H-71065	LW 5/16" SS	1
13	H-71067	LW 3/8" SS	2
14	H-72398	PPH #8-32 X 1/2" S/S	4
15	H-72416	PPHMS #10-32 X 3/4" S/S	6
16	H-73907	FHSCS 5/16"- 18 X 3/4" SS	2
17	H-74429	CB 5/16"- 18 X 3/4" SS	5
18	H-74433	CB 5/16"- 18 X 2" SS	1
19	H-9540	RUBBER BUMPER, 25/32"	6
20	H-98025	FW 3/8" GRADE 8	2
21	H-NJ05C	JNYL 5/16"- 18 SS	1

18 Frame Assembly-Brush Drive



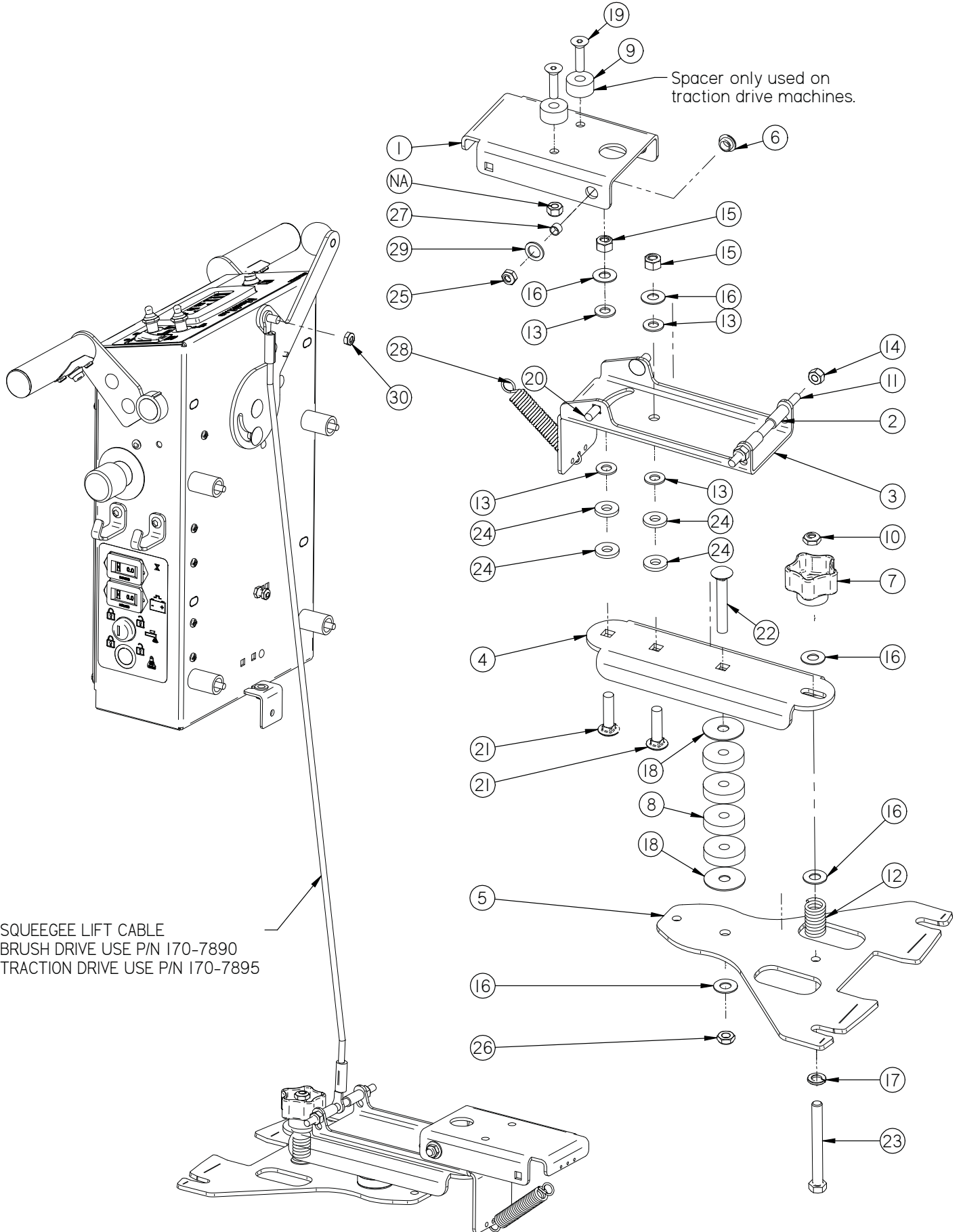
Item	Part Number	Part Description	Qty
1	190-1170	AXLE	1
2	4-410A	3/4" SHAFT COLLAR	2
3	H-00273	FW 3/4 X 1 1/8 X 1/32 SS	4
4	H-25435	SSS CP 5/16" X 1/4"	2
5	H-68015	SNAPRING 3/4"	4
6	H-70109	HCS 3/8"- 16 X 1-1/2" SS	1
7	H-70711	HN 5/16"- 18 SS	12
8	H-70860	NYLOK 1/4"- 20 SS	7
9	H-71017	FW 3/8 ID X 7/8 OD SS	8
10	H-71063	LW 1/4" SS	4
11	H-71065	LW 5/16" SS	4
12	H-73882	FHSCS 1/4- 20 X 3/4" S/S	3
13	H-73908	FHSCS 5/16"- 18 X 1" SS	8
14	H-74620	1/4-20 X 3/4" U-BOLT	2
15	M-9434T27	3/4" DIA 1 HOLE TUBE STRAP	3

20 Tank Lid Assembly



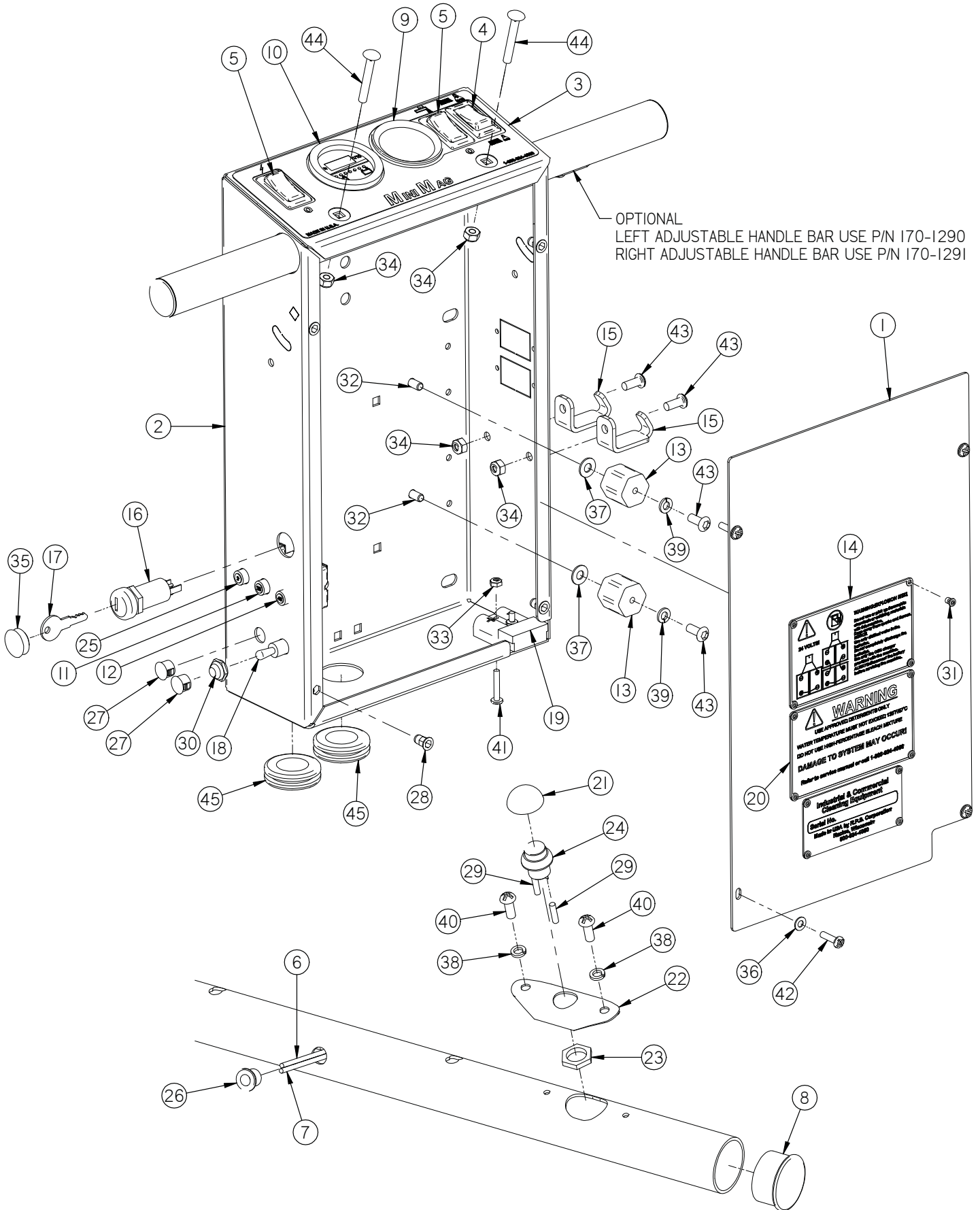
Item	Part Number	Part Description	Qty
1	170-1070	TANK LID GASKET	1
2	253-1075	PUSH-ON RUBBER GASKET	1
3	253-1410	VAC FORMED CLEAR COVER	1
4	253-1450	RECOVERY TANK CABLE, 20"	1
5	32-8000	8" CONTINUOUS HINGE	2
6	370-4060	6" LANYARD	2
7	H-37709	5/16-18 ACORN NUT	4
8	H-70858	NYLOK #10-32 SS	6
9	H-71017	FW 3/8 ID X 7/8 OD SS	1
10	H-71065	LW 5/16" SS	1
11	H-71894	#14 X 1" SELF TAPPING SCREW	6
12	H-72515	PPH #10-32 X 1/2" S/S	6
13	H-73777	BHSCS 5/16-18 X 1/2"	4
14	H-74429	CB 5/16"- 18 X 3/4" SS	1
15	H-90133	.170 ID X .50 OD X .093 TH NEOPRENE WASHER	2
16	H-NJ05C	JNYL 5/16"- 18 SS	1

22 Squeegee Suspension

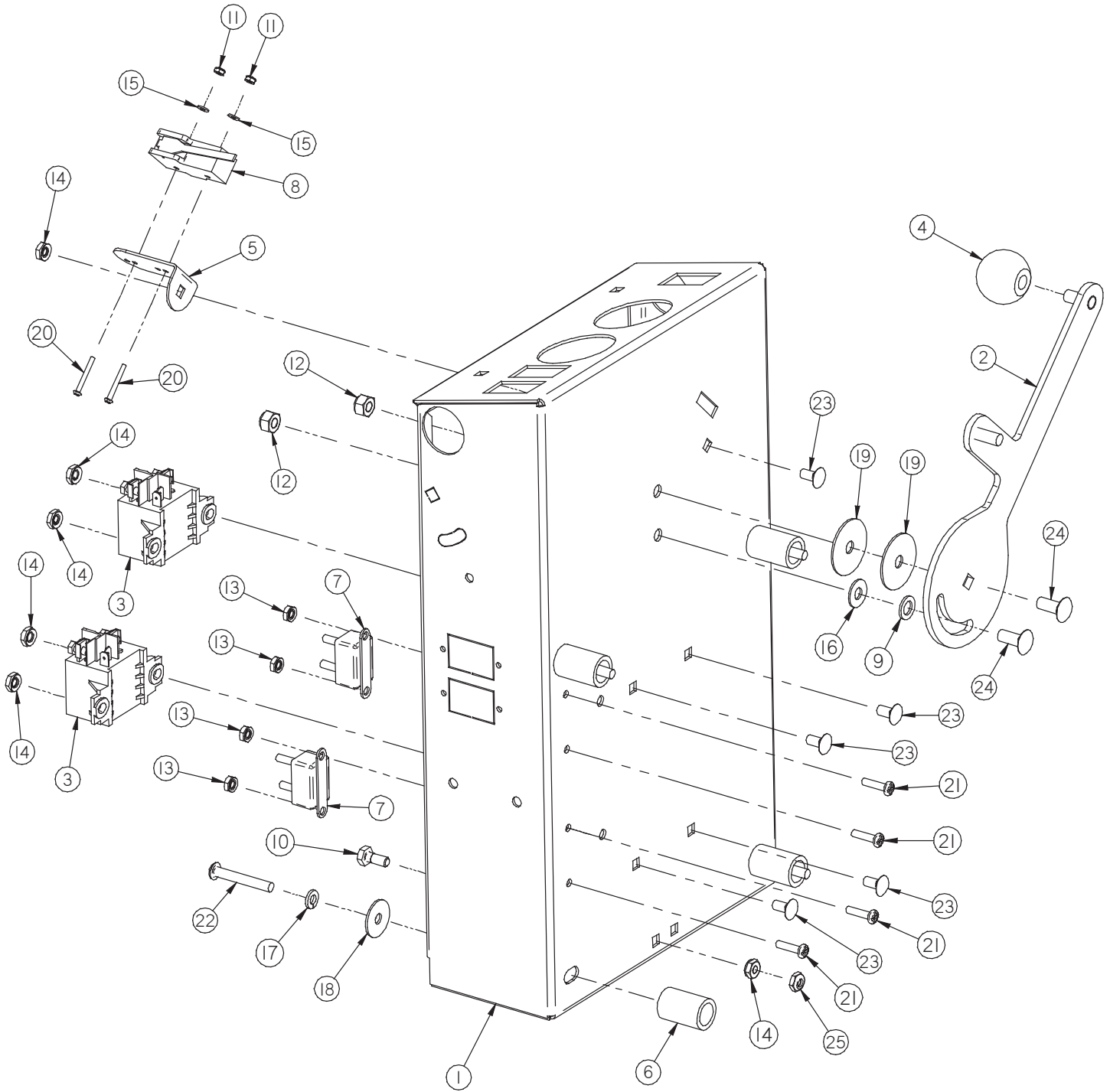


Item	Part Number	Part Description	Qty
1	170-1050	SQUEEGEE SUPPORT	1
2	170-1055	TUBE, 5/16" ID X 7/16" OD X 1-1/2" LG	2
3	170-7140	SQUEEGEE SWING PLATE	1
4	253-7150	SQUEEGEE TRAIL ARM	1
5	253-7610	SQUEEGEE TRIANGLE PLATE	1
6	290-1233	3/8" ID, 1/2" OD, 1/4" LG BEARING	2
7	290-5787	STAR KNOB, 3/8-24 THREAD	1
8	4-446	GROMMET-3/8 ID X 1-1/2 OD X .375	4
9	8-618	SPACER	2
10	H-0171004	JNYL 3/8- 24 SS	1
11	H-10097811	5/16-18 X 5" DOUBLE ENDED STUD S/S	1
12	H-111	SPRING, 1/2" ID X 2-1/2" LG	1
13	H-4440024	FW 3/8" X 3/4" NYLON	4
14	H-70861	NYLOK 5/16" - 18 SS	4
15	H-70862	NYLOK 3/8"-16 SS	2
16	H-71017	FW 3/8 ID X 7/8 OD SS	5
17	H-71067	LW 3/8" SS	1
18	H-71217	FNW 3/8 ID X 1-1/2 OD SS	2
19	H-73909	FHSCS 5/16"- 18 X 1-1/4" SS	2
20	H-74429	CB 5/16"- 18 X 3/4" SS	2
21	H-74438	CB 3/8"- 16 X 1-1/2" SS	2
22	H-74440	CB 3/8"- 16 X 2-1/2" SS	1
23	H-92865A227	HCS 3/8"- 24 X 3.5" SS	1
24	H-98025	FW 3/8" GRADE 8	4
25	H-NJ05C	JNYL 5/16"- 18 SS	2
26	H-NJ06C	JNYL 3/8- 16 SS	1
27	M-6391K403	.312 ID X .375 OD X .25 LG BEARING SLEEVE	2
28	M-9654K302	SPRING, 4.0" LG X 23/32" OD X .105 WIRE	1
29	M-98126A739	SHIM, 1/2" ID X 3/4" OD X 1/16" THICK, S/S	2
30	H-NJ05C	JNYL 5/16"- 18 SS	1

24 Control Panel-Brush Drive



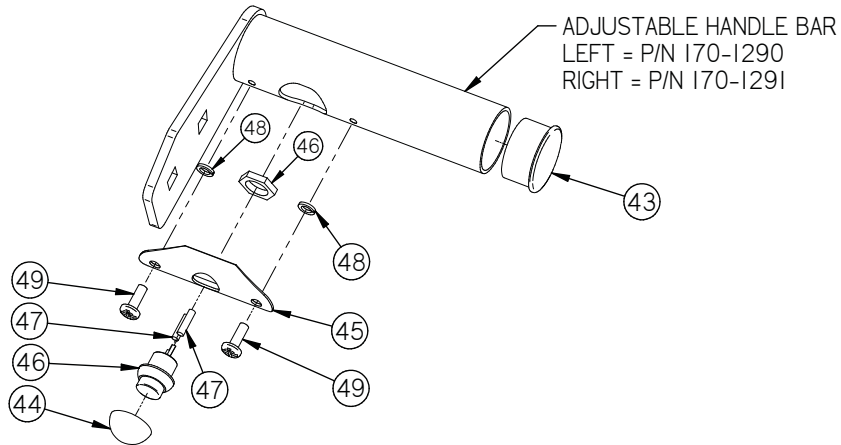
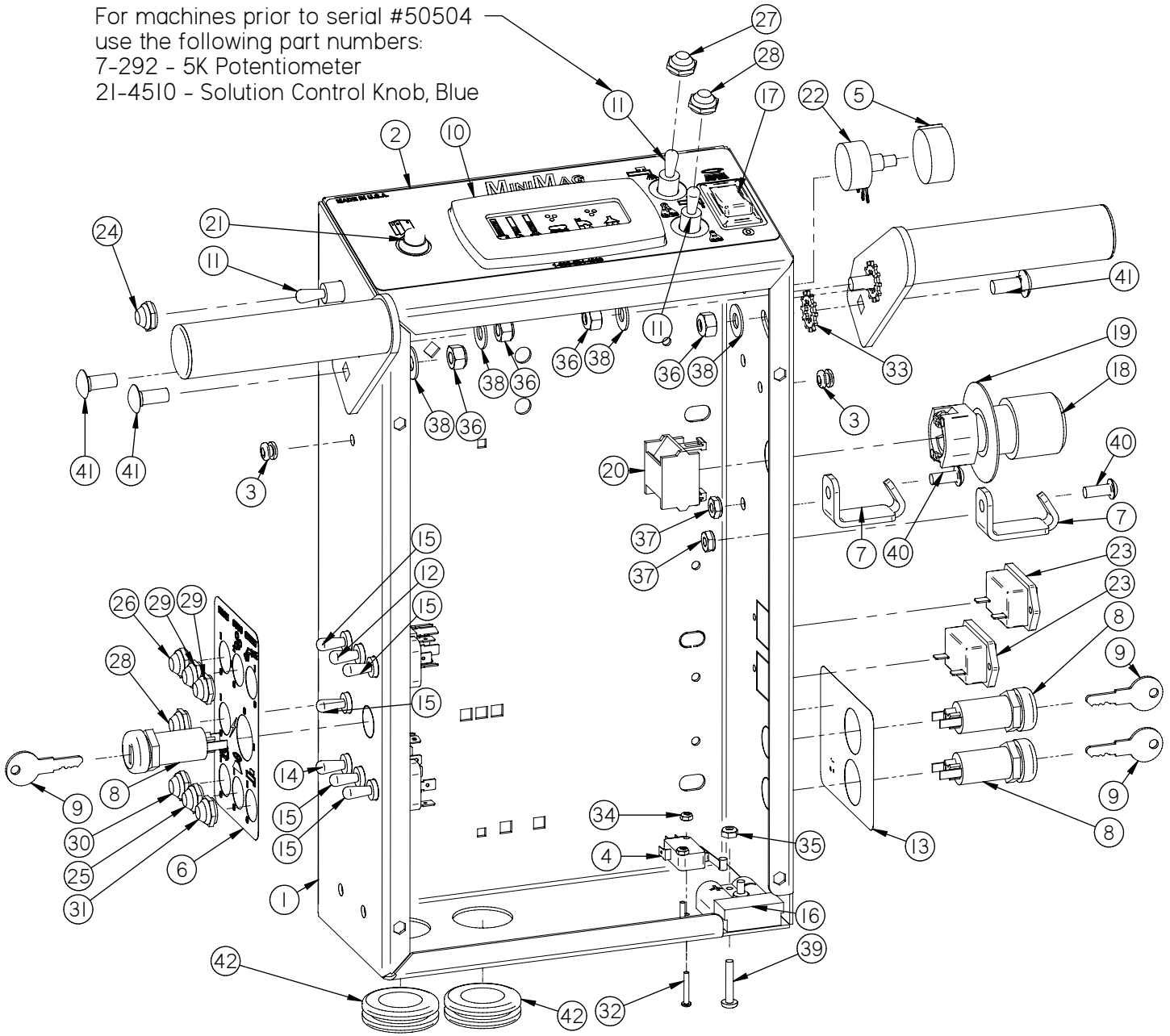
Item	Part Number	Part Description	Options	Qty
1	170-2001	CONTROL PANEL COVER		1
2	170-2011	CONTROL PANEL BOX, HD		1
3	170-2013	MINI MAG HD CONTROL PANEL STICKER		1
4	170-2330	MOM-OFF-MOM DPDT		1
5	170-2340	SWITCH, ROCKER, DPDT, ON/ON		2
6	190-1041	RED WIRE, 16 GAGE, 12" LG		1
7	190-1042	YELLOW WIRE, 16 GAGE, 12" LG		1
8	190-1390	END CAP		1
9	190-4852	BRUSH PRESSURE GAUGE, 40 AMP		1
10	190-4855	24V BATTERY AND HOUR METER		1
11	190-8370	FUSE RESETTABLE 25 AMP		1
12	190-9609	FUSE, RESETTABLE, 40 AMP		1
13	200-1011	SWITCHBOARD INSULATOR		2
14	253-7280	EXPLOSION WARNING PLATE		1
15	253-9491	HOOK		2
16	290-234	KEY SWITCH (WITH KEY)	OPTIONAL	1
17	290-234A	KEY SET (REPLACE)	OPTIONAL	1
18	370-8920	TOGGLE, ON-OFF SPST	OPTIONAL	1
19	4-259	CONNECTOR, RED 50, HOUSING ONLY		1
20	5-728	DETERGENT WARNING PLATE		1
21	7-227	BUTTON COVER		1
22	7-228	SWITCH MOUNT PLATE		1
23	7-229	PLASTIC SWITCH NUT		1
24	7-229D	PUSH BUTTON SWITCH		1
25	7-837	FUSE RESETTABLE 2 AMP		1
26	H-03124	1/4" ID, 3/8" OD, 3/8" LG FLANGED BEARING, NYLON		1
27	H-0708887	DOME PLUG 1/2", BLK	OPTIONAL	2
28	H-1032HCN	HCN #10-32		1
29	H-108	HEAT SHRINK		2
30	H-11199	PROTECTIVE BOOT, TOGGLE SWITCH, (BLUE)	OPTIONAL	1
31	H-41007	AB4-3A BLIND RIVET		12
32	H-70001	HCS 1/4"-20 X 1/2 SS"		2
33	H-70856	NYLOK #8-32 SS		1
34	H-70860	NYLOK 1/4"- 20 SS		4
35	H-70888	HOLE PLUG 3/4"	OPTIONAL	1
36	H-71009	FW #10 SS		4
37	H-71013	FW 1/4 ID X 5/8 OD SS		2
38	H-71057	LW #8, SS		2
39	H-71063	LW 1/4" SS		2
40	H-72398	PPHMS #8-32 X 1/2" SS		2
41	H-72418	PPH #8-32 X 1" S/S		1
42	H-72534	PPH #10-32 X 3/4" S/S		4
43	H-73753	BHSCS 1/4 - 20 X 5/8" SS		4
44	H-74396	CB 1/4"- 20 X 1-3/4" SS		2
45	H-9307K74	GROMMET, 1" ID X 1-3/4" OD BUNA-N		2



Item	Part Number	Part Description	Qty
1	170-2011	CONTROL PANEL BOX, HD	1
2	170-7100	SQUEEGEE LIFT LEVER	1
3	190-8283	RELAY, 24V, 50 AMP	2
4	21-7101	LIFT KNOB	1
5	253-2020	BRACKET, LIMIT SWITCH	1
6	253-2700	SPACER, 1-1/4" LG	4
7	290-2815	CIR. BREAKER - 15A, 24V	2
8	5-223	LIMIT SWITCH	1
9	H-4440024	FW 3/8" X 3/4 NYLON	1
10	H-70002	HCS 1/4"-20 X 5/8" SS	1
11	H-70854	NYLOK #4-40 SS	2
12	H-70861	NYLOK 5/16" - 18 SS	2
13	H-70923	KN #10-32 SS	4
14	H-70925	KN 1/4-20 S/S	6
15	H-71004	FW 1/8" X 5/16" SS	2
16	H-71015	FW 5/16" X 3/4" SAE SS	1
17	H-71063	LW 1/4" SS	1
18	H-71212	FNW 1/4" X 1" SS	1
19	H-71215	FNW 5/16" X 1-1/2" SS	2
20	H-72494	PPH #4-40 X 1" S/S	2
21	H-72534	PPH #10-32 X 3/4" S/S	4
22	H-73758	BHSCS 1/4 - 20 X 1-3/4" SS	4
23	H-74417	CB 1/4"- 20 X .5" SS	5
24	H-74429	CB 5/16"- 18 X 3/4" SS	2
25	H-NJ04C	JNYL 1/4" - 20 SS	1

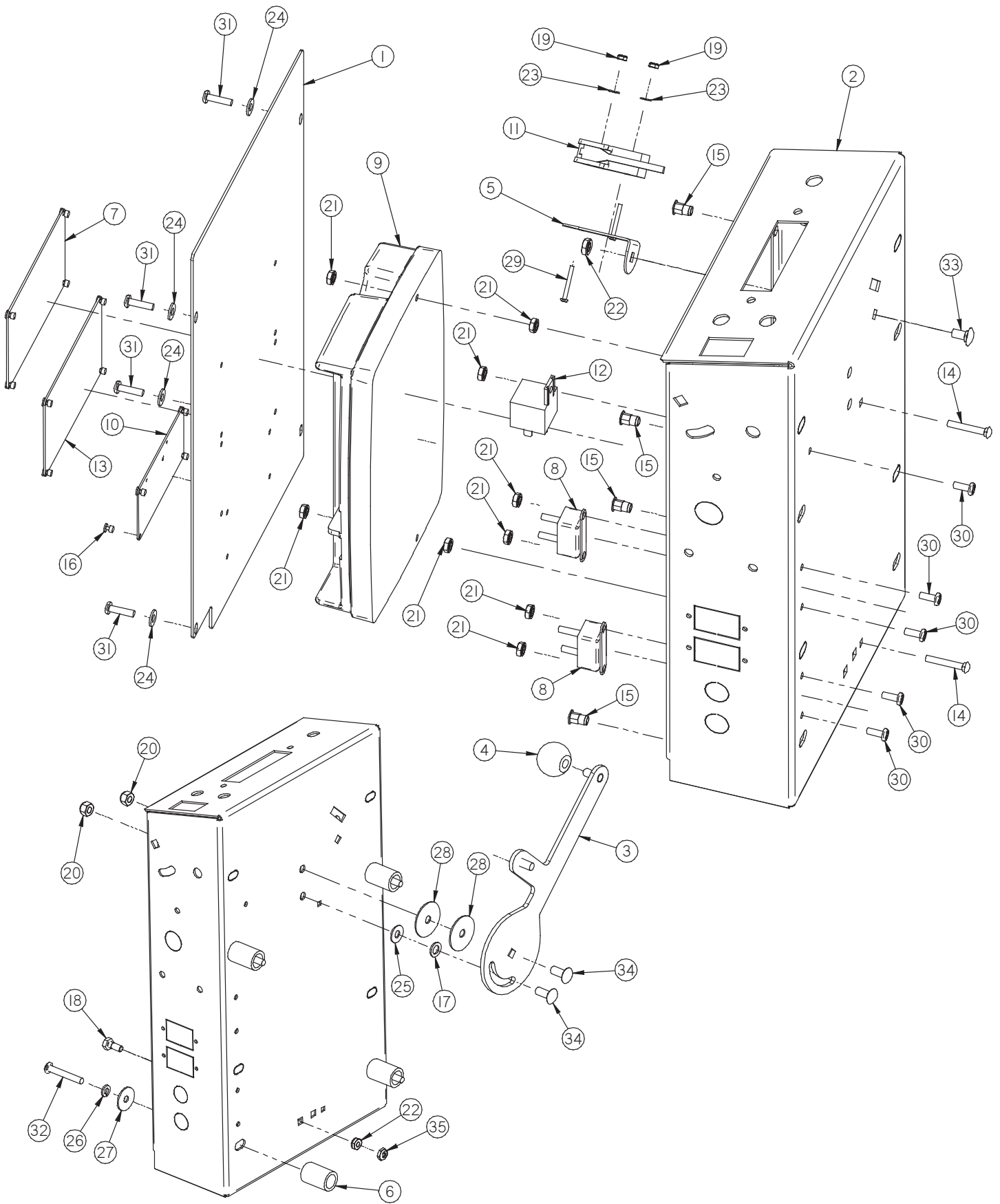
28 Control Panel-Traction Drive

For machines prior to serial #50504
 use the following part numbers:
 7-292 - 5K Potentiometer
 21-4510 - Solution Control Knob, Blue



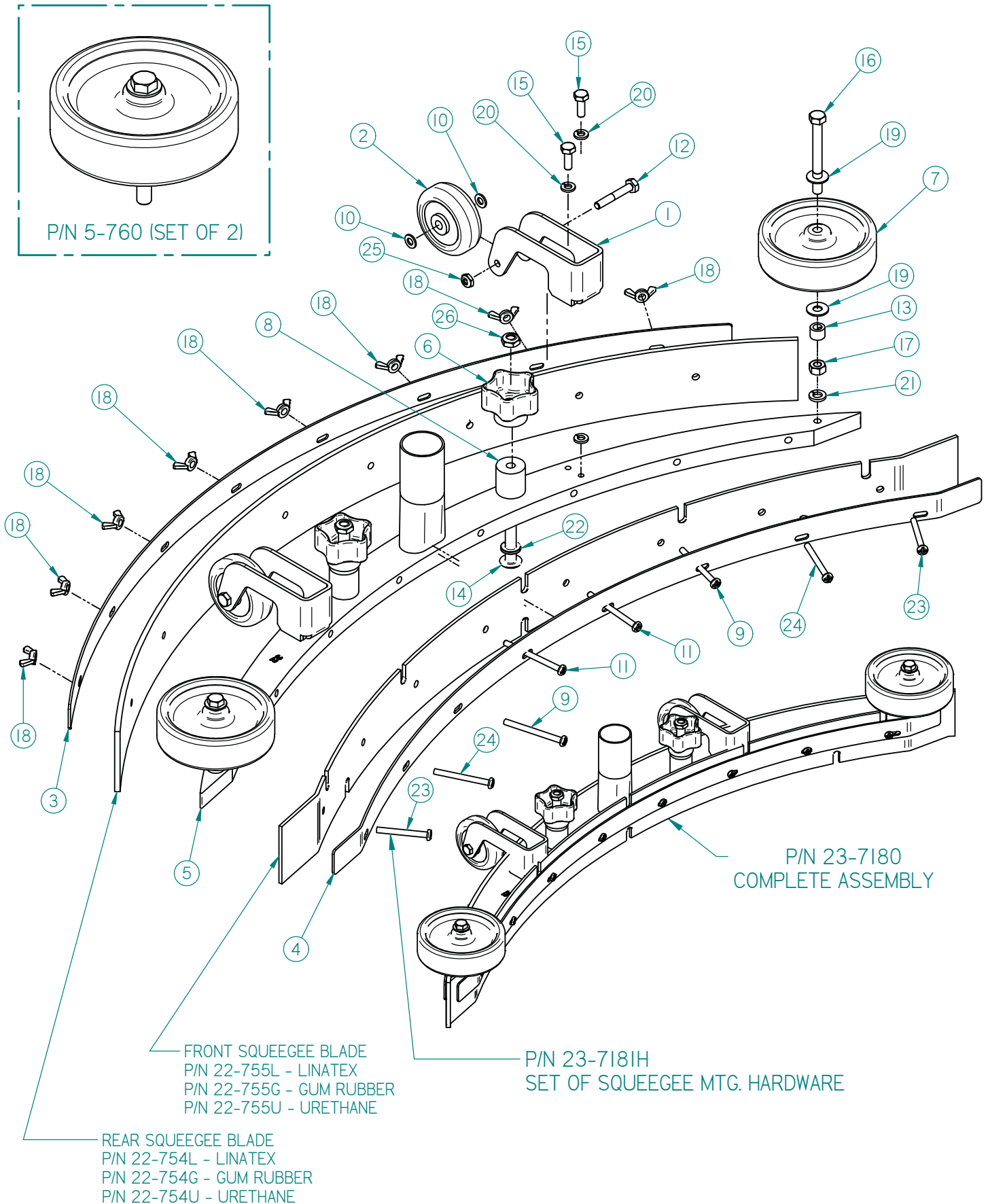
Item	Part Number	Part Description	Options	Qty
1	170-2012	CONTROL PANEL BOX, TRACTION		1
2	170-2016	MINI MAG TD CONTROL PANEL STICKER		1
3	21-2203	GROMMET, RUBBER 3/16 ID X 13/32 OD X 3/32 TH.		2
4	21-2230	MICRO SWITCH	Optional	1
5	21-4520	SPEED CONTROL KNOB, RED		1
6	253-2017	SUDS/SPRAY STICKER		1
7	253-9491	HOOK		2
8	290-234	KEY SWITCH		3
9	290-234A	KEY SET (REPLACE)		3
10	290-2891	LCD SCREEN		1
11	370-2830	SWITCH, TOGGLE, MOM/OFF/MOM (DPDT)		3
12	370-2831	SWITCH, TOGGLE, ON/OFF/ON (DPDT)		1
13	370-7204	METER STICKER		1
14	370-8210	SWITCH, TOGGLE, ON/ON (DPDT)		1
15	370-8920	TOGGLE, ON-OFF SPST	Optional	5
16	4-259	CONNECTOR, RED 50, HOUSING ONLY		1
17	5-234	SWITCH, ROCKER, DPDT, ON/ON		1
18	5-300	EMERGENCY SHUT OFF		1
19	5-301	EMERGENCY LEGEND PLATE		1
20	5-302	EMERGENCY CONTACT BLACK		1
21	7-229	PUSH BUTTON SWITCH		1
22	7-292	5K POTENTIOMETER		1
23	8-262	HOUR METER		2
24	H-11196	PROTECTIVE BOOT, TOGGLE SWITCH, (RED)		1
25	H-11197	PROTECTIVE BOOT, TOGGLE SWITCH, (YELLOW)		1
26	H-11198	PROTECTIVE BOOT, TOGGLE SWITCH, (GREEN)		1
27	H-11199	PROTECTIVE BOOT, TOGGLE SWITCH, (BLUE)	Optional	2
28	H-11200	PROTECTIVE BOOT, TOGGLE SWITCH, (BLACK)		2
29	H-11201	PROTECTIVE BOOT, TOGGLE SWITCH, (GRAY)		1
30	H-11202	PROTECTIVE BOOT, TOGGLE SWITCH, (ORANGE)		1
31	H-11205	PROTECTIVE BOOT, TOGGLE SWITCH, (LIGHT BLUE)	Optional	1
32	H-28667	PHP MS 4-40 X 3/4"		2
33	H-33761	5/16" INT/EXT STAR WASHER		2
34	H-70854	NYLOK #4-40 SS		2
35	H-70856	NYLOK #8-32 SS		2
36	H-70861	NYLOK 5/16" - 18 SS		4
37	H-70925	KN 1/4-20 S/S		2
38	H-71015	FW 5/16 ID X 3/4 OD SS		4
39	H-72418	PPH #8-32 X 1" S/S		2
40	H-73753	BHSCS 1/4 - 20 X 5/8" SS		2
41	H-74429	CB 5/16"- 18 X 3/4" SS		4
42	H-9307K74	GROMMET, 1" ID X 1-3/4" OD BUNA-N		2
43	190-1390	END CAP		2
44	7-227	BUTTON COVER		1
45	7-228	SWITCH MOUNT PLATE		2
46	7-229	PUSH BUTTON SWITCH		2
47	H-108	HEAT SHRINK		2
48	H-71059	LW #10, SS		4
49	H-72398	PPH #8-32 X 1/2" S/S		4

30 Control Panel-Traction Drive



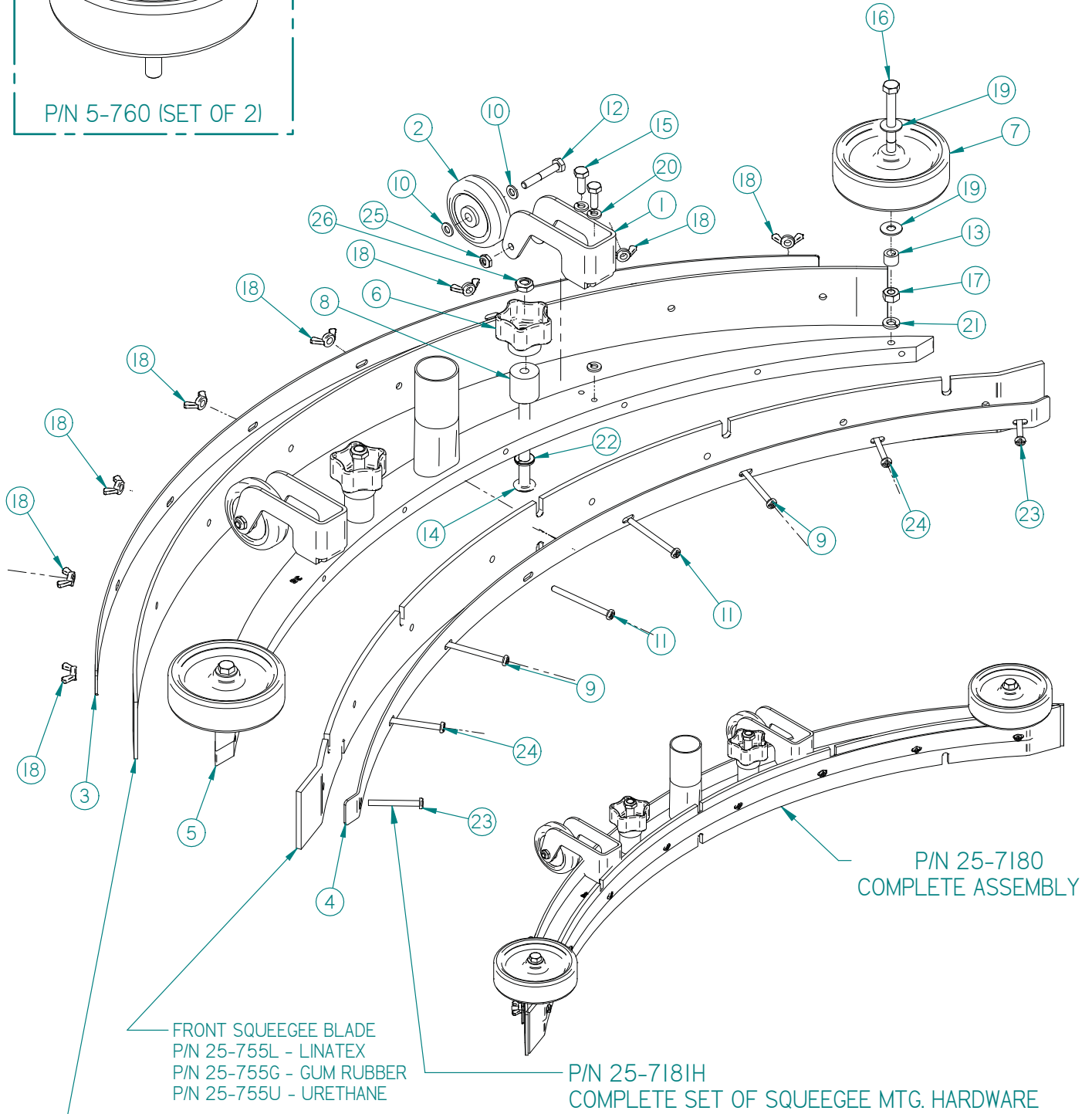
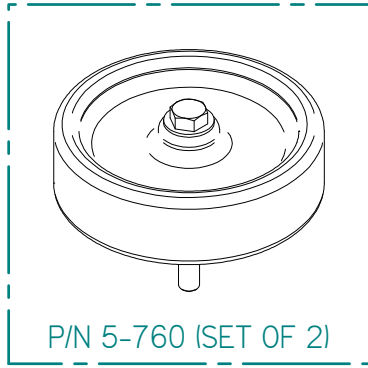
Item	Part Number	Part Description	Qty
1	170-2001	CONTROL PANEL COVER	1
2	170-2012	CONTROL PANEL BOX, TRACTION	1
3	170-7100	SQUEEGEE LIFT LEVER	1
4	21-7101	LIFT KNOB	1
5	253-2020	BRACKET, LIMIT SWITCH	1
6	253-2700	SPACER, 1-1/4" LG	4
7	253-7280	EXPLOSION WARNING PLATE	1
8	290-2815	CIR. BREAKER - 15A, 24V	2
9	390-2899	CONTROLLER V4	1
10	4-101	SERIAL NUMBER PLATE	1
11	5-223	LIMIT SWITCH	1
12	5-293	15 AMP RELAY	1
13	5-728	DETERGENT WARNING PLATE	1
14	H-0172522	CB #10-32 X 1-1/4" SS	2
15	H-1032HCN	HCN #10-32	4
16	H-41007	AB4-3A BLIND RIVET	12
17	H-4440024	FW 3/8" X 3/4 NYLON	1
18	H-70002	HCS 1/4"-20 X 5/8" SS	1
19	H-70854	NYLOK #4-40 SS	2
20	H-70861	NYLOK 5/16" - 18 SS	2
21	H-70923	KN #10-32 SS	9
22	H-70925	KN 1/4-20 S/S	2
23	H-71004	FW 1/8" X 5/16" SS	2
24	H-71009	FW #10 SS	4
25	H-71015	FW 5/16" X 3/4" SS	1
26	H-71063	LW 1/4" SS	1
27	H-71212	FNW 1/4" X 1" SS	1
28	H-71215	FNW 5/16" X 1-1/2" SS	2
29	H-72494	PPH #4-40 X 1" S/S	2
30	H-72515	PPH #10-32 X 1/2" S/S	5
31	H-72534	PPH #10-32 X 3/4" S/S	4
32	H-73758	BHSCS 1/4 - 20 X 1-3/4" SS	4
33	H-74417	CB 1/4"- 20 X .5" SS	1
34	H-74429	CB 5/16"- 18 X 3/4" SS	2
35	H-NJ04C	JNYL 1/4" - 20 SS	1

32 32 Inch Squeegee Assembly



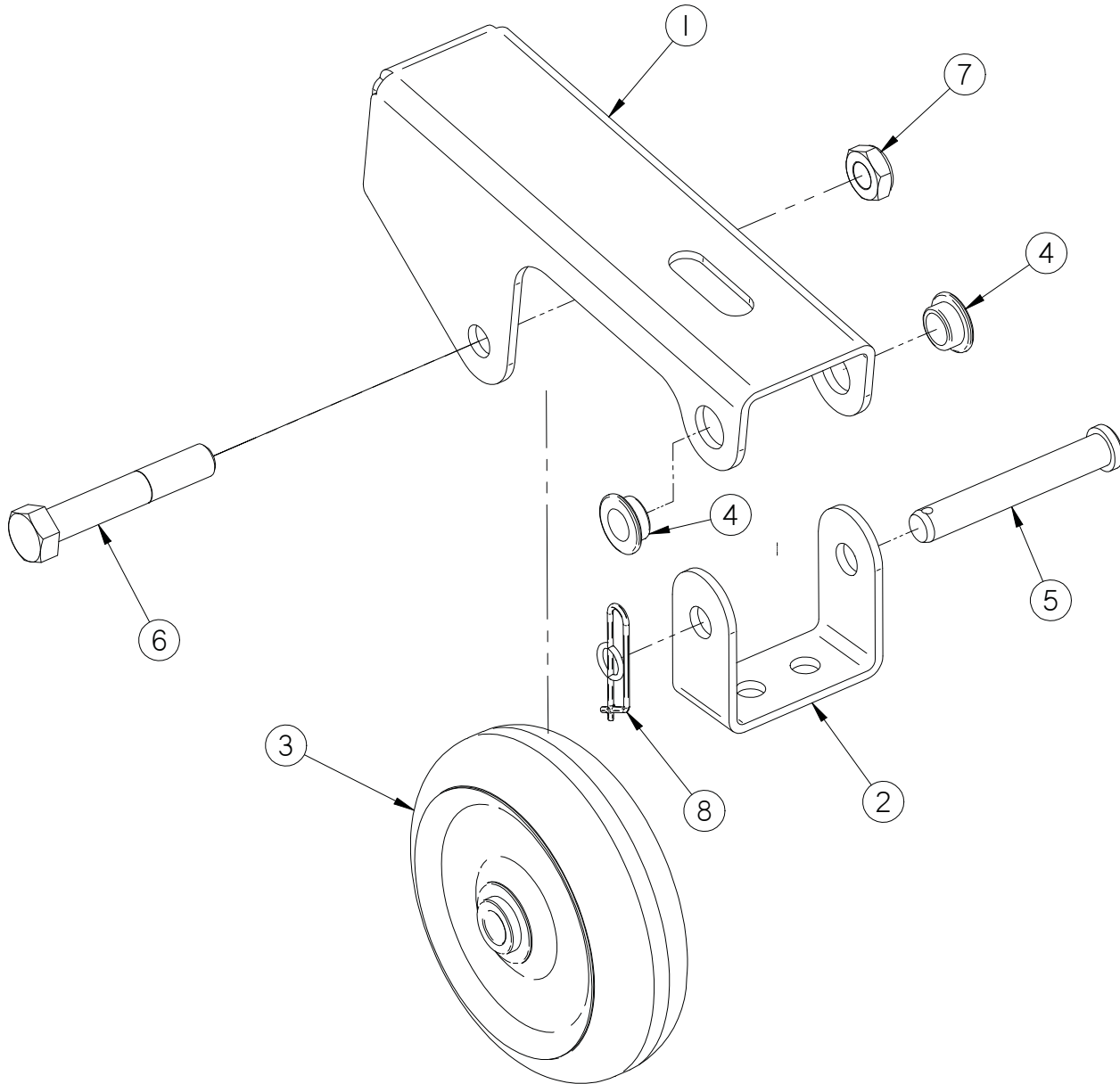
Item	Part No.	Part Description	Qty
1	21-7220	SQUEEGEE TRAIL MOUNTS	2
2	21-7570	BACK UP WHEEL (GREY)	2
3	23-7160	SQUEEGEE BAND, REAR	1
4	23-7170	SQUEEGEE BAND, FRONT	1
5	23-7181	32" SQUEEGEE BODY	1
6	290-5786	STAR KNOB, 3/8-16 THREAD	2
7	5-760B	4" SIDE WHEEL (GREY)	2
8	5-846	STANDOFF, 1.03"	2
9	H-00249	PPH #10-32 X 2 1/4" SS	2
10	H-00283	FW 1/4" NYLON	4
11	H-00288	PPH #10-32 X 2 1/2" SS	2
12	H-0172248	HCS 1/4"- 20 X 1.625" SS	2
13	H-33371	5/16" ID SHAFT COLLAR	2
14	H-37350	BHSCS 3/8"- 16 X 3-1/2" S/S	2
15	H-70003	HCS 1/4"- 20 X 3/4" SS	4
16	H-70065	HCS 5/16"- 18 X 3" SS	2
17	H-70711	HN 5/16"- 18 SS	2
18	H-70908	WINGNUT 10-32 SS	8
19	H-71015	FW 5/16" X 3/4" SAE SS	4
20	H-71063	LW 1/4" SS	6
21	H-71065	LW 5/16" SS	2
22	H-71067	LW 3/8" SS	2
23	H-72555	PPH #10-32 X 1 3/4" SS	2
24	H-72556	PPH #10-32 X 2" SS	2
25	H-NJ04C	JNYL 1/4" - 20 SS	2
26	H-NJ06C	JNYL 3/8- 16 SS	2

34 35 Inch Squeegee Assembly



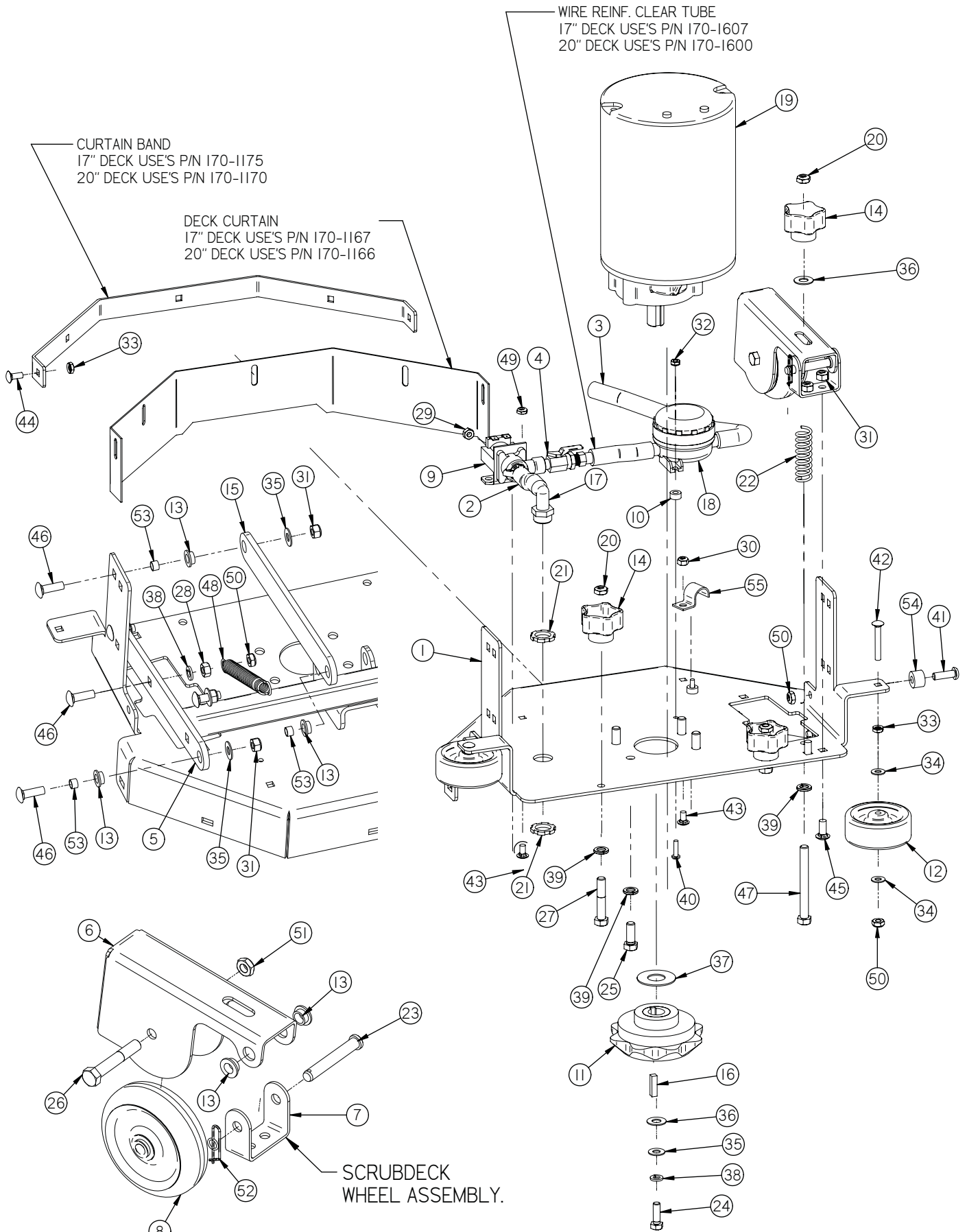
Item	Part No.	Part Description	Qty
1	21-7220	SQUEEGEE TRAIL MOUNTS	2
2	21-7570	BACK UP WHEEL (GREY)	2
3	25-7160	SQUEEGEE BAND, REAR	1
4	25-7170	SQUEEGEE BAND, FRONT	1
5	25-7181	35" SQUEEGEE BODY	1
6	290-5786	STAR KNOB, 3/8-16 THREAD	2
7	5-760B	4" SIDE WHEEL (GREY)	2
8	5-846	STANDOFF, 1.03"	2
9	H-00249	PPH #10-32 X 2 1/4" SS	2
10	H-00283	FW 1/4" NYLON	4
11	H-00288	PPH #10-32 X 2 1/2" SS	2
12	H-0172248	HCS 1/4"- 20 X 1.625" SS	2
13	H-33371	5/16" ID SHAFT COLLAR	2
14	H-37350	BHSCS 3/8"- 16 X 3-1/2" S/S	2
15	H-70003	HCS 1/4"- 20 X 3/4" SS	4
16	H-70065	HCS 5/16"- 18 X 3" SS	2
17	H-70711	HN 5/16"- 18 SS	2
18	H-70908	WINGNUT 10-32 SS	8
19	H-71015	FW 5/16" X 3/4" SAE SS	4
20	H-71063	LW 1/4" SS	6
21	H-71065	LW 5/16" SS	2
22	H-71067	LW 3/8" SS	2
23	H-72555	PPH #10-32 X 1 3/4" SS	2
24	H-72556	PPH #10-32 X 2" SS	2
25	H-NJ04C	JNYL 1/4" - 20 SS	2
26	H-NJ06C	JNYL 3/8- 16 SS	2

36 Brush Assist Wheel Assembly



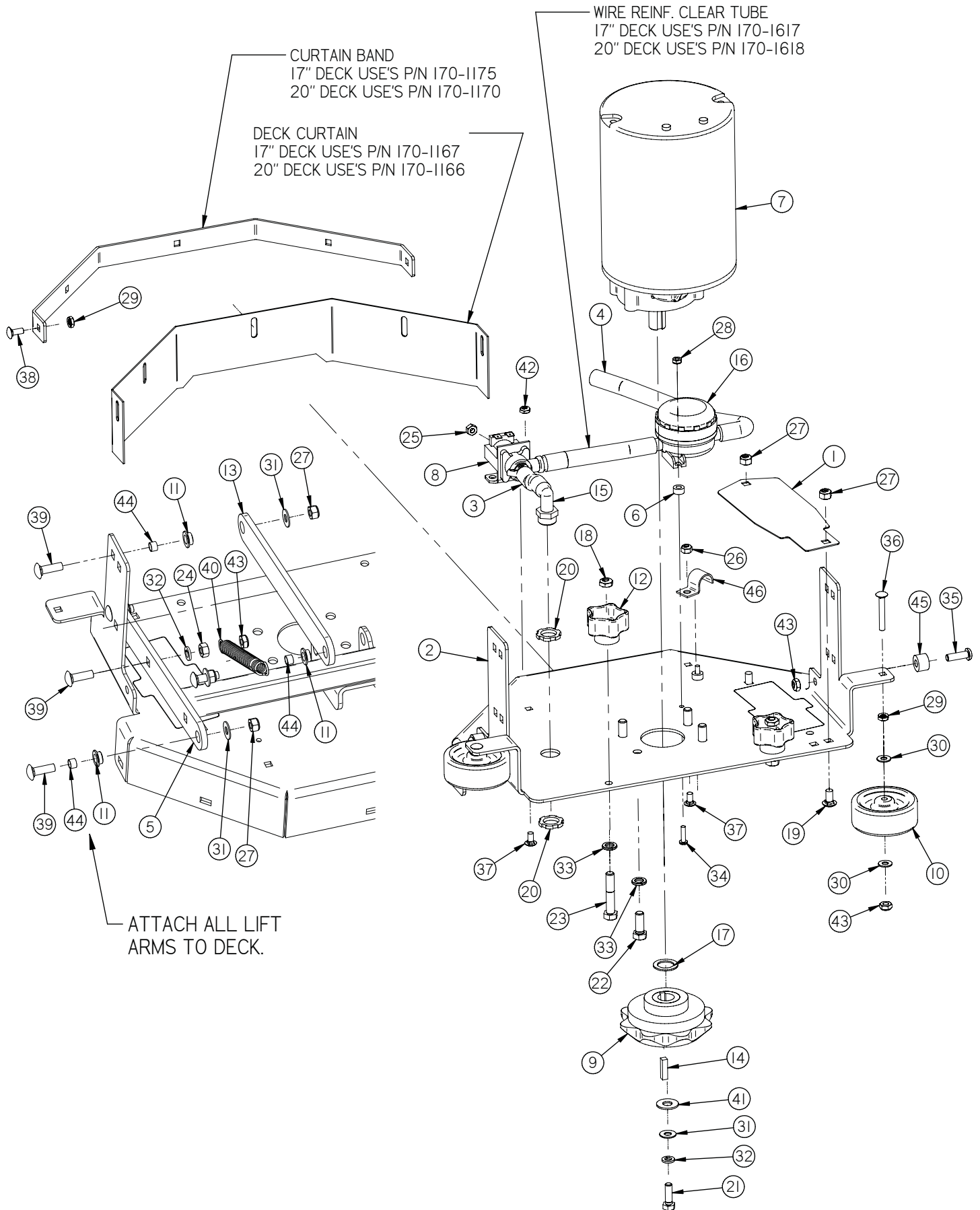
Item	Part Number	Part Description	Qty
1	190-1030	DECK WHEEL PIVOT BRACKET	1
2	190-1035	DECK WHEEL PIVOT SUPPORT	1
3	190-3020	4.0" WHEEL (RED)	1
4	290-1233	3/8" ID, 1/2" OD, 1/4" LG BEARING	2
5	H-15675	CLEVIS PIN, 3/8" X 2-1/2"	1
6	H-70112	HCS 3/8"- 16 X 2-1/4" SS	1
7	H-NJ06C	JNYL 3/8- 16 SS	1
8	H-RUE14	3/8" RUE RING COTTER	1

38 17 Inch Disk Deck-Brush Drive



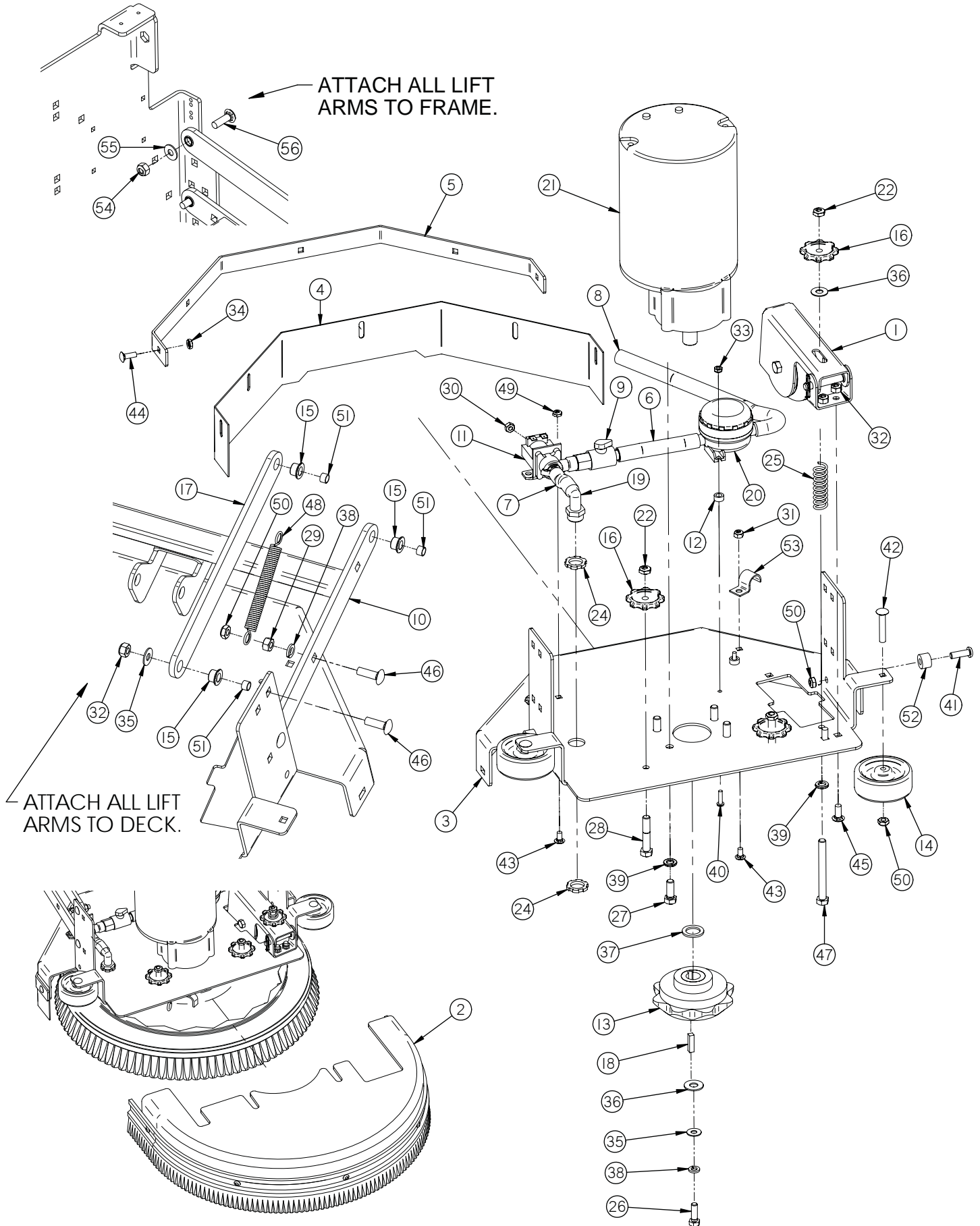
Item	Part Number	Part Description	Qty
1	170-1125	DISK DECK PLATFORM, 17"	1
2	170-1601	1/2" ID X 2-3/4" LG WIRE REINF. CLEAR TUBE	1
3	170-1602	1/2" ID X 14" LG WIRE REINF. CLEAR TUBE	1
4	170-4159	BALL VALVE, 1/4" W/BARBED FITTING	1
5	170-9586	LATERAL ARM	1
6	190-1030	DECK WHEEL PIVOT BRACKET	1
7	190-1035	DECK WHEEL PIVOT SUPPORT	1
8	190-3020	4.0" WHEEL (RED)	1
9	190-4500	ADJUSTABLE SOLUTION FLOW VALVE, WITH 1/4" NPTF	1
10	21-2211	SPACER 1/2 OD X 1/4"	2
11	21-5000	BRUSH DRIVER	1
12	21-7600	SIDE WHEEL (GREY)	2
13	290-1233	3/8" ID, 1/2" OD, 1/4" LG BEARING	10
14	290-5787	STAR KNOB, 3/8-24 THREAD	3
15	5-124	LATERAL ARM	2
16	5-431	1/4" X 1" KEY	1
17	5-447	1/2 NPT X 1/2" BARB ELBOW	1
18	5-913	INLINE FILTER	1
19	7-222	MOTOR, 24-V, 3/4 HP, 200 RPM	1
20	H-0171004	JNYL 3/8- 24 SS	3
21	H-07005	1/2" NPT LOCKNUT	2
22	H-111	SPRING, 1/2" ID X 2-1/2" LG	1
23	H-15675	CLEVIS PIN, 3/8" X 2-1/2"	1
24	H-70055	HCS 5/16"- 18 X 1" SS	1
25	H-70105	HCS 3/8"- 16 X 1" SS	4
26	H-70112	HCS 3/8"- 16 X 2-1/4" SS	1
27	H-70146	HCS 3/8"- 24 X 2" SS	2
28	H-70711	HN 5/16"- 18 SS	2
29	H-70730	HN 1/4"- 28 SS	1
30	H-70860	NYLOK 1/4"- 20 SS	1
31	H-70861	NYLOK 5/16"- 18 SS	10
32	H-70923	KN #10-32 SS	2
33	H-70925	KN 1/4-20 S/S	7
34	H-71013	FW 1/4 ID X 5/8 OD SS	4
35	H-71015	FW 5/16 ID X 3/4 OD SS	9
36	H-71017	FW 3/8 ID X 7/8 OD SS	2
37	H-71027	FW 3/4 ID X 1-3/4 OD SS	1
38	H-71065	LW 5/16" SS	3
39	H-71067	LW 3/8" SS	7
40	H-72534	PPH #10-32 X 3/4" S/S	2
41	H-73780	BHSCS 5/16-18 X 1	2
42	H-74396	CB 1/4"- 20 X 1-3/4" SS	2
43	H-74417	CB 1/4"- 20 X .5" SS	3
44	H-74418	CB 1/4"- 20 X 5/8" S/S	5
45	H-74429	CB 5/16"- 18 X 3/4" SS	2
46	H-74430	CB 5/16"- 18 X 1" SS	10
47	H-92865A227	HCS 3/8"- 24 X 3.5" SS	1
48	H-96546	SPRING, 5" LG X 1/2" OD X .073 WIRE	2
49	H-NJ04C	JNYL 1/4" - 20 SS	2
50	H-NJ05C	JNYL 5/16"- 18 SS	6
51	H-NJ06C	JNYL 3/8- 16 SS	1
52	H-RUE14	3/8" RUE RING COTTER	1
53	M-6391K403	.312 ID X .375 OD X .25 LG BEARING SLEEVE	8
54	M-92825A201	.325" ID X 3/4" OD X 1/2" LDPE SPACER	2
55	M-9434T27	3/4" DIA I HOLE TUBE STRAP	1

40 17 Inch Disk Deck-Traction Drive



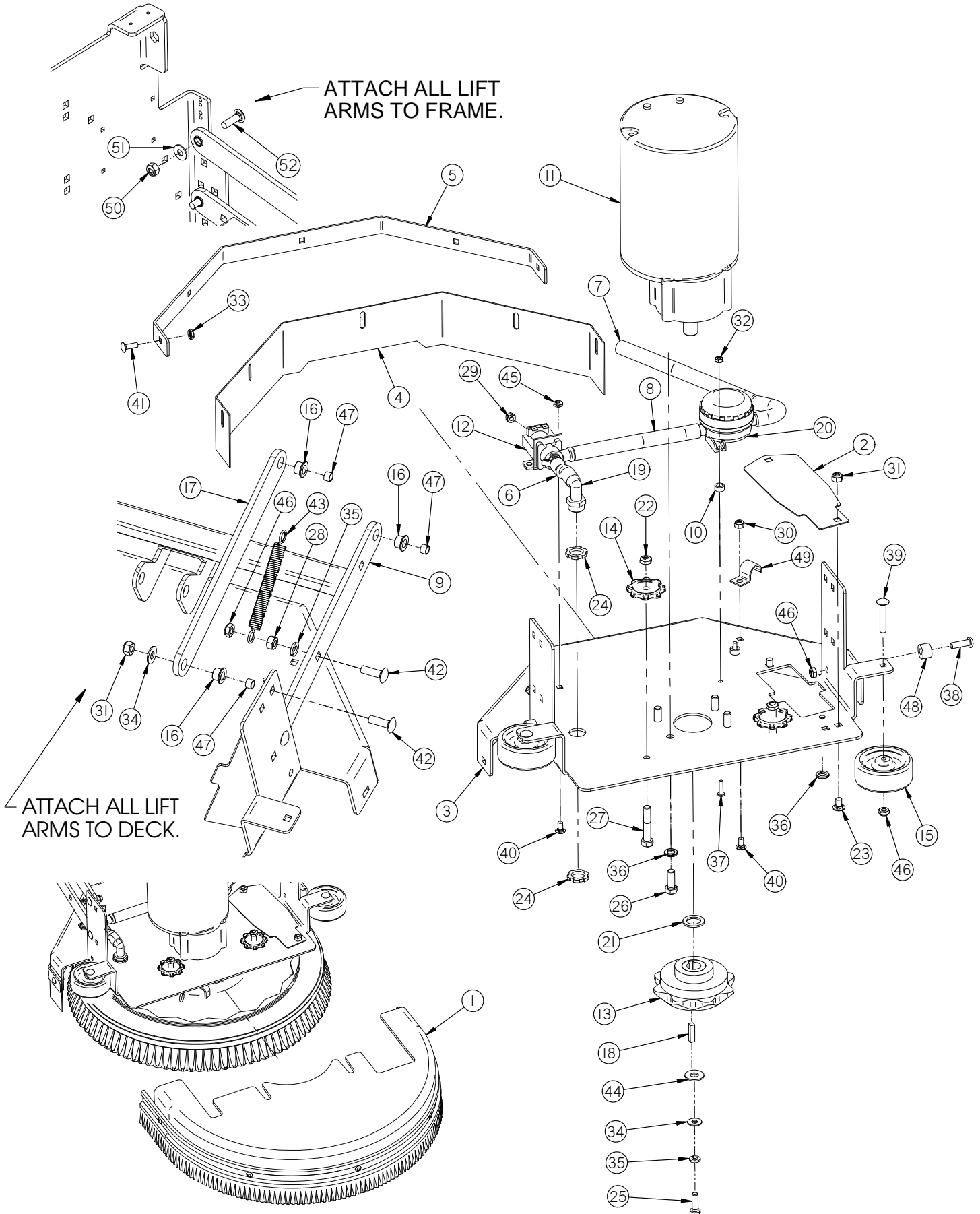
Item	Part Number	Part Description	Qty
1	170-1030	DISK DECK COVER PLATE	1
2	170-1125	DISK DECK PLATFORM, 17"	1
3	170-1601	1/2" ID X 2-3/4" LG WIRE REINF. CLEAR TUBE	1
4	170-1602	1/2" ID X 14" LG WIRE REINF. CLEAR TUBE	1
5	170-9586	LATERAL ARM	1
6	21-2211	SPACER 1/2 OD X 1/4"	2
7	21-2500	MOTOR 3/4 HP X 270 RPM	1
8	21-4500	ADJUSTABLE SOLUTION FLOW VALVE	1
9	21-5000	BRUSH DRIVER	1
10	21-7600	SIDE WHEEL (GREY)	2
11	290-1233	3/8" ID, 1/2" OD, 1/4" LG BEARING	8
12	290-5787	STAR KNOB, 3/8-24 THREAD	2
13	5-124	LATERAL ARM	2
14	5-431	1/4" X 1" KEY	1
15	5-447	1/2 NPT X 1/2" BARB ELBOW	1
16	5-913	INLINE FILTER	1
17	H-00222	FW 3/4" ID X 1 1/8" OD X 3/32" SS	1
18	H-0171004	JNYL 3/8- 24 SS	2
19	H-0172526	CB 5/16"- 18 X 5/8" SS	2
20	H-07005	1/2" NPT LOCKNUT	2
21	H-70055	HCS 5/16"- 18 X 1" SS	1
22	H-70105	HCS 3/8"- 16 X 1" SS	4
23	H-70146	HCS 3/8"- 24 X 2" SS	2
24	H-70711	HN 5/16"- 18 SS	2
25	H-70730	HN 1/4"- 28 SS	1
26	H-70860	NYLOK 1/4"- 20 SS	1
27	H-70861	NYLOK 5/16" - 18 SS	10
28	H-70923	KN #10-32 SS	2
29	H-70925	KN 1/4-20 S/S	7
30	H-71013	FW 1/4 ID X 5/8 OD SS	4
31	H-71015	FW 5/16 ID X 3/4 OD SS	9
32	H-71065	LW 5/16" SS	3
33	H-71067	LW 3/8" SS	6
34	H-72534	PPH #10-32 X 3/4" S/S	2
35	H-73780	BHSCS 5/16-18 X 1	2
36	H-74396	CB 1/4"- 20 X 1-3/4" SS	2
37	H-74417	CB 1/4"- 20 X .5" SS	3
38	H-74418	CB 1/4"- 20 X 5/8" S/S	5
39	H-74430	CB 5/16"- 18 X 1" SS	10
40	H-96546	SPRING, 5" LG X 1/2" OD X .073 WIRE	2
41	H-99001	FW 3/8" SS	1
42	H-NJ04C	JNYL 1/4" - 20 SS	2
43	H-NJ05C	JNYL 5/16"- 18 SS	6
44	M-639IK403	.312 ID X .375 OD X .25 LG BEARING SLEEVE	8
45	M-92825A201	.325" ID X 3/4" OD X 1/2" LDPE SPACER	2
46	M-9434T27	3/4" DIA I HOLE TUBE STRAP	1

42 20 Inch Disk Deck-Brush Drive



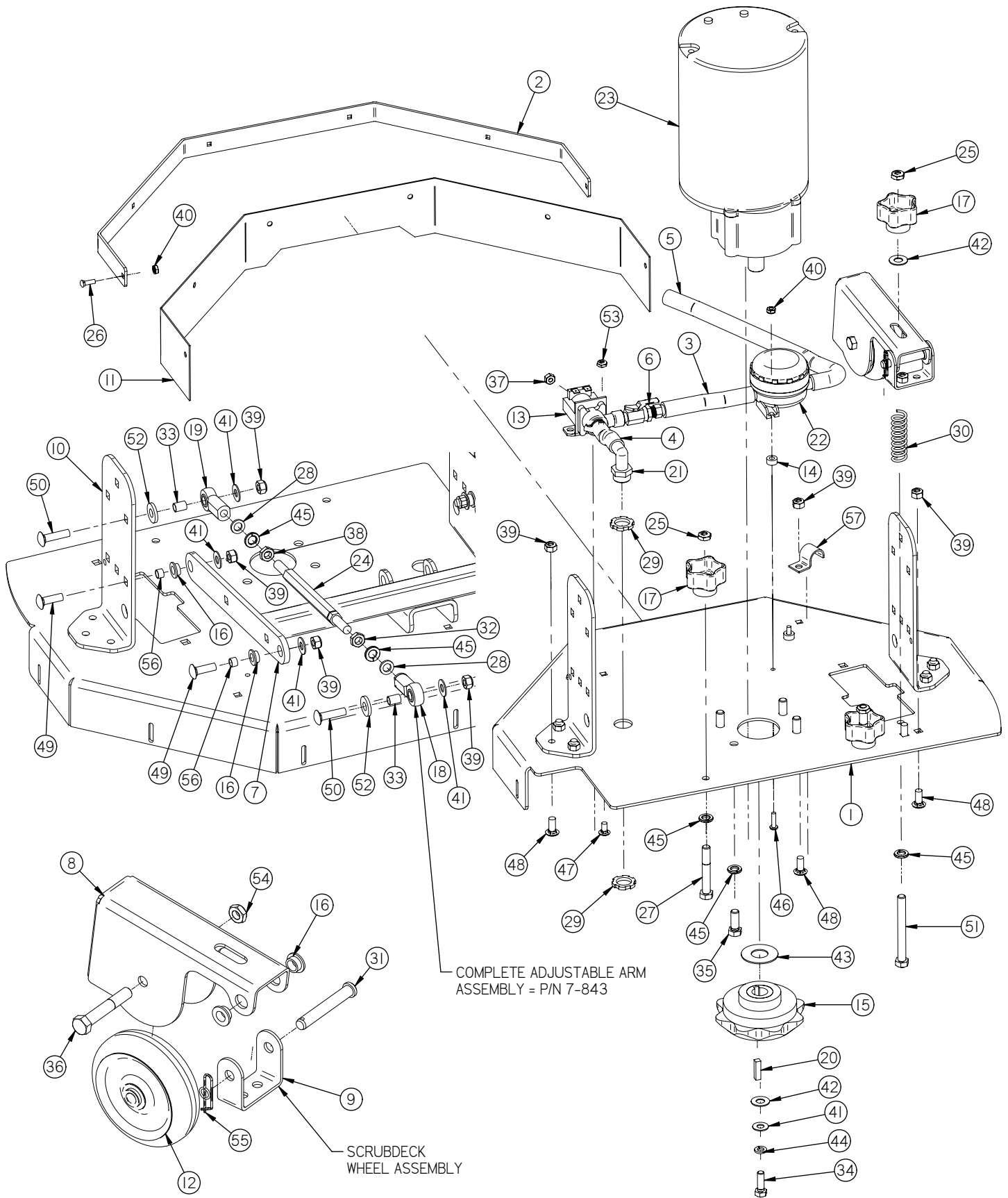
Item	Part Number	Part Description	Qty
1		SCRUB DECK WHEEL ASSEMBLY	1
2	121	SUB #121 20 INCH SHROUD ASSEMBLY	1
3	170-1120	DISK DECK PLATFORM, 20"	1
4	170-1166	DISK DECK CURTAIN, 20"	1
5	170-1170	DISK CURTAIN BAND, 20"	1
6	170-1600	1/2" ID X 4-1/2" LG WIRE REINF. CLEAR TUBE	1
7	170-1601	1/2" ID X 2-3/4" LG WIRE REINF. CLEAR TUBE	1
8	170-1602	1/2" ID X 14" LG WIRE REINF. CLEAR TUBE	1
9	170-4158	BALL VALVE, 1/4"	1
10	170-9586	LATERAL ARM	1
11	190-4500	ADJUSTABLE SOLUTION FLOW VALVE, WITH 1/4" NPTF	1
12	21-2211	SPACER 1/2 OD X 1/4"	2
13	21-5000	BRUSH DRIVER	1
14	21-7600	SIDE WHEEL (GREY)	2
15	290-1245	3/8" ID, 1/2" OD, 3/8" LG, FLANGE BEARING	8
16	290-5787	STAR KNOB, 3/8-24 THREAD	3
17	5-124	LATERAL ARM	2
18	5-431	1/4" X 1" KEY	1
19	5-447	1/2 NPT X 1/2" BARB ELBOW	1
20	5-913	INLINE FILTER	1
21	7-222	MOTOR, 24-V, 3/4 HP, 200 RPM	1
22	H-0171004	JNYL 3/8- 24 SS	3
23*	H-05122	.25 NPT X .50 BARB	1
24	H-07005	1/2" NPT LOCKNUT	2
25	H-111	SPRING, 1/2" ID X 2-1/2" LG	1
26	H-70055	HCS 5/16"- 18 X 1" SS	1
27	H-70105	HCS 3/8"- 16 X 1" SS	4
28	H-70146	HCS 3/8"- 24 X 2" SS	2
29	H-70711	HN 5/16"- 18 SS	2
30	H-70730	HN 1/4"- 28 SS	1
31	H-70860	NYLOK 1/4"- 20 SS	1
32	H-70861	NYLOK 5/16" - 18 SS	6
33	H-70923	KN #10-32 SS	2
34	H-70925	KN 1/4-20 S/S	5
35	H-71015	FW 5/16 ID X 3/4 OD SS	5
36	H-71017	FW 3/8 ID X 7/8 OD SS	2
37	H-71027	FW 3/4 ID X 1-3/4 OD SS	1
38	H-71065	LW 5/16" SS	3
39	H-71067	LW 3/8" SS	7
40	H-72534	PPH #10-32 X 3/4" S/S	2
41	H-73780	BHSCS 5/16-18 X 1	2
42	H-74401	CB 5/16"- 18 X 1-3/4" SS	2
43	H-74417	CB 1/4"- 20 X .5" SS	3
44	H-74419	CB 1/4"- 20 X .75" SS	5
45	H-74429	CB 5/16"- 18 X 3/4" SS	2
46	H-74430	CB 5/16"- 18 X 1" SS	6
47	H-92865A227	HCS 3/8"- 24 X 3.5" SS	1
48	H-96546	SPRING, 5" LG X 1/2" OD X .073 WIRE	2
49	H-NJ04C	JNYL 1/4" - 20 SS	2
50	H-NJ05C	JNYL 5/16"- 18 SS	6
51	M-6391K403	.312 ID X .375 OD X .25 LG BEARING SLEEVE	8
52	M-92825A201	.325" ID X 3/4" OD X 1/2" LDPE SPACER	2
53	M-9434T27	3/4" DIA 1 HOLE TUBE STRAP	1
54	H-70861	NYLOK 5/16" - 18 SS	3
55	H-71015	FW 5/16" X 3/4" SAE SS	3
56	H-74430	CB 5/16"- 18 X 1" SS	4

44 20 Inch Disk Deck-Traction Drive



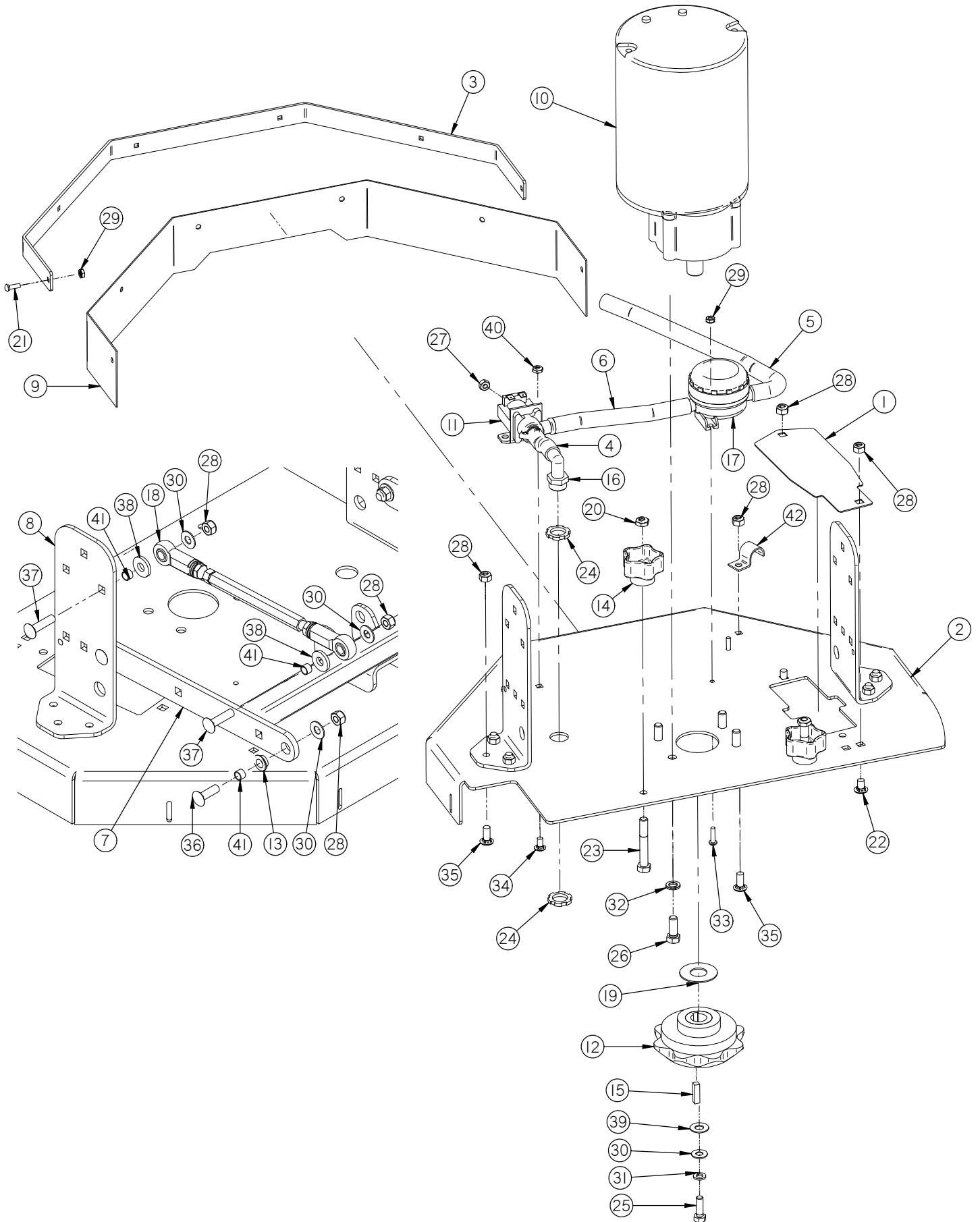
Item	Part Number	Part Description	Qty
1	I2I	SUB #I2I 20 INCH SHROUD ASSEMBLY	1
2	170-1030	DISK DECK COVER PLATE	1
3	170-1120	DISK DECK PLATFORM, 20"	1
4	170-1166	DISK DECK CURTAIN, 20"	1
5	170-1170	DISK CURTAIN BAND, 20"	1
6	170-1601	1/2" ID X 2-3/4" LG WIRE REINF. CLEAR TUBE	1
7	170-1602	1/2" ID X 14" LG WIRE REINF. CLEAR TUBE	1
8	170-1618	1/2" ID X 7-1/4" LG WIRE REINF. CLEAR TUBE	1
9	170-9586	LATERAL ARM	1
10	21-2211	SPACER 1/2 OD X 1/4"	2
11	21-2500	MOTOR 3/4 HP X 270 RPM	1
12	21-4500	ADJUSTABLE SOLUTION FLOW VALVE	1
13	21-5000	BRUSH DRIVER	1
14	21-7205	PALM GRIP KNOB, 3/8-24	2
15	21-7600	SIDE WHEEL (GREY)	2
16	290-1245	3/8" ID, 1/2" OD, 3/8" LG, FLANGE BEARING	8
17	5-124	LATERAL ARM	2
18	5-431	1/4" X 1" KEY	1
19	5-447	1/2 NPT X 1/2" BARB ELBOW	1
20	5-913	INLINE FILTER	1
21	H-00222	FW 3/4" ID X 1 1/8" OD X 3/32" SS	1
22	H-0171004	JNYL 3/8- 24 SS	2
23	H-0172526	CB 5/16"- 18 X 5/8" SS	2
24	H-07005	1/2" NPT LOCKNUT	2
25	H-70055	HCS 5/16"- 18 X 1" SS	1
26	H-70105	HCS 3/8"- 16 X 1" SS	4
27	H-70146	HCS 3/8"- 24 X 2" SS	2
28	H-70711	HN 5/16"- 18 SS	2
29	H-70730	HN 1/4"- 28 SS	1
30	H-70860	NYLOK 1/4"- 20 SS	1
31	H-70861	NYLOK 5/16" - 18 SS	6
32	H-70923	KN #10-32 SS	2
33	H-70925	KN 1/4-20 S/S	5
34	H-71015	FW 5/16 ID X 3/4 OD SS	5
35	H-71065	LW 5/16" SS	3
36	H-71067	LW 3/8" SS	7
37	H-72534	PPH #10-32 X 3/4" S/S	2
38	H-73780	BHSCS 5/16-18 X 1	2
39	H-74401	CB 5/16"- 18 X 1-3/4" SS	2
40	H-74417	CB 1/4"- 20 X .5" SS	3
41	H-74419	CB 1/4"- 20 X .75" SS	5
42	H-74430	CB 5/16"- 18 X 1" SS	6
43	H-96546	SPRING, 5" LG X 1/2" OD X .073 WIRE	2
44	H-99001	FW 3/8" SS	1
45	H-NJ04C	JNYL 1/4" - 20 SS	2
46	H-NJ05C	JNYL 5/16"- 18 SS	6
47	M-6391K403	.312 ID X .375 OD X .25 LG BEARING SLEEVE	8
48	M-92825A201	.325" ID X 3/4" OD X 1/2" LDPE SPACER	2
49	M-9434T27	3/4" DIA I HOLE TUBE STRAP	1
50	H-70861	NYLOK 5/16" - 18 SS	3
51	H-71015	FW 5/16" X 3/4" SAE SS	3
52	H-74430	CB 5/16"- 18 X 1" SS	4

46 23 Inch Disk Deck-Brush Drive



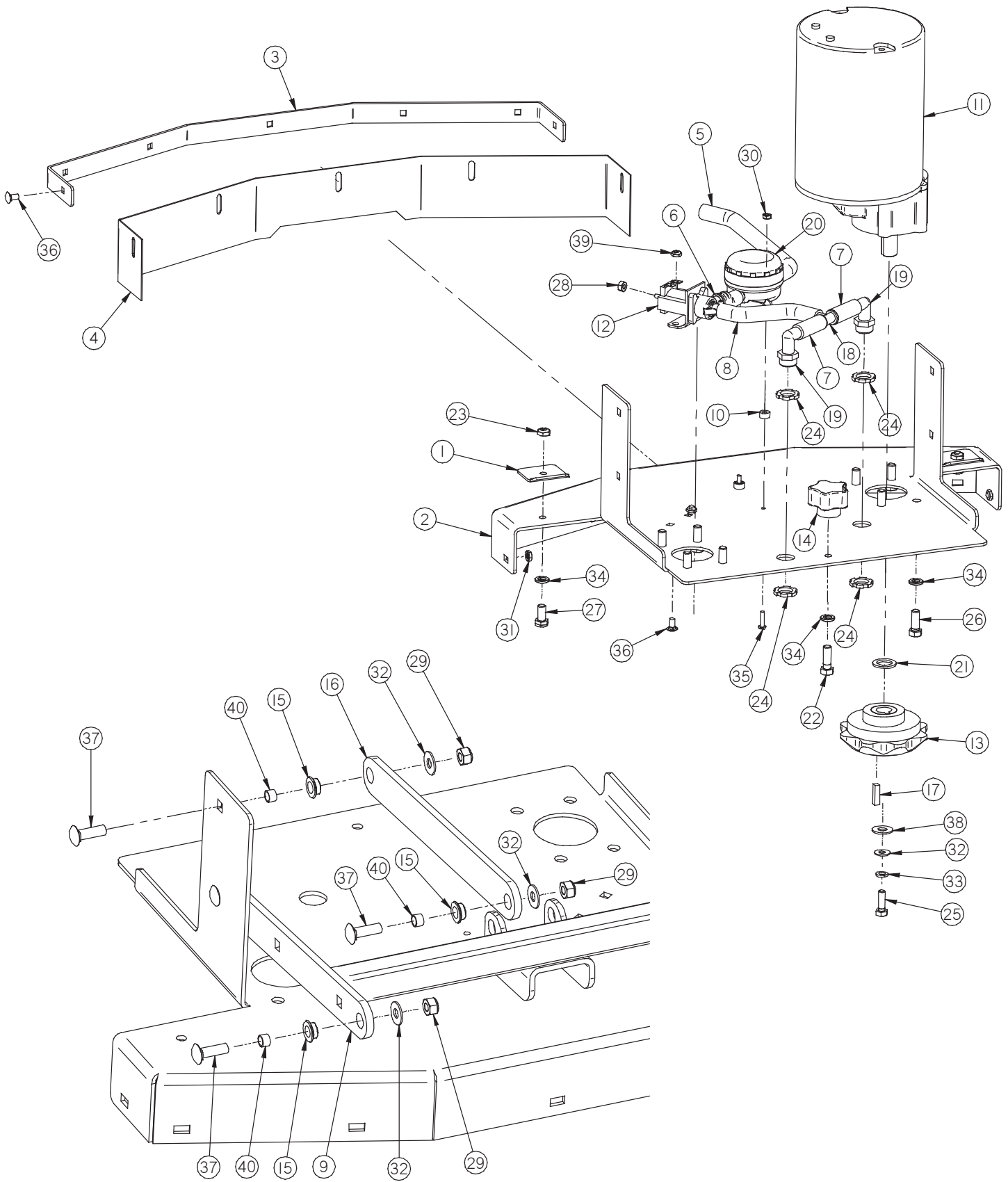
Item	Part Number	Part Description	Qty
1	170-1160	DISK DECK PLATFORM, 23"	1
2	170-1165	CURTAIN BAND, 23"	1
3	170-1600	1/2" ID X 4-1/2" LG WIRE REINF. CLEAR TUBE	1
4	170-1601	1/2" ID X 2-3/4" LG WIRE REINF. CLEAR TUBE	1
5	170-1602	1/2" ID X 14" LG WIRE REINF. CLEAR TUBE	1
6	170-4159	BALL VALVE, 1/4" W/BARBED FITTING	1
7	170-9586	LATERAL ARM	1
8	190-1030	DECK WHEEL PIVOT BRACKET	1
9	190-1035	DECK WHEEL PIVOT SUPPORT	1
10	190-1115	20" LIFT BRACKET	2
11	190-1176	23" DECK CURTAIN, REAR	1
12	190-3020	4.0" WHEEL (RED)	1
13	190-4500	ADJUSTABLE SOLUTION FLOW VALVE, WITH 1/4" NPTF	1
14	21-2211	SPACER 1/2 OD X 1/4"	2
15	21-5000	BRUSH DRIVER	1
16	290-1233	3/8" ID, 1/2" OD, 1/4" LG BEARING	6
17	290-5787	STAR KNOB, 3/8-24 THREAD	3
18	290-9584	ROD END, 3/8-24 LEFT HAND THREAD	2
19	290-9585	ROD END, 3/8-24 RIGHT HAND THREAD	2
20	5-431	1/4" X 1" KEY	1
21	5-447	1/2 NPT X 1/2" BARB ELBOW	1
22	5-913	INLINE FILTER	1
23	7-222	MOTOR, 24-V, 3/4 HP, 200 RPM	1
24	7-842	ADJUSTABLE LATERAL ARM BODY	2
25	H-0171004	JNYL 3/8- 24 SS	3
26	H-0172519	CB #10-32 X 5/8" SS	6
27	H-0172951	HCS 3/8"- 24 X 2 1/2" S/S	2
28	H-02949	3/8 ID X 5/8 OD SHIM	4
29	H-07005	1/2" NPT LOCKNUT	2
30	H-111	SPRING, 1/2" ID X 2-1/2" LG	1
31	H-15675	CLEVIS PIN, 3/8" X 2-1/2"	1
32	H-36956	LH HX JAM .375-24 SS	2
33	H-63913	.312 ID X .375 OD X .50 LG BEARING SLEEVE	4
34	H-70055	HCS 5/16"- 18 X 1" SS	1
35	H-70105	HCS 3/8"- 16 X 1" SS	4
36	H-70112	HCS 3/8"- 16 X 2-1/4" SS	1
37	H-70710	HN 1/4"- 20 SS	1
38	H-70832	HX JAM .375-24 SS	2
39	H-70861	NYLOK 5/16" - 18 SS	17
40	H-70923	KN #10-32 SS	8
41	H-71015	FW 5/16 ID X 3/4 OD SS	9
42	H-71017	FW 3/8 ID X 7/8 OD SS	2
43	H-71027	FW 3/4 ID X 1-3/4 OD SS	1
44	H-71065	LW 5/16" SS	1
45	H-71067	LW 3/8" SS	11
46	H-72534	PPH #10-32 X 3/4" S/S	2
47	H-74417	CB 1/4"- 20 X .5" SS	2
48	H-74429	CB 5/16"- 18 X 3/4" SS	9
49	H-74430	CB 5/16"- 18 X 1" SS	4
50	H-74431	CB 5/16"- 18 X 1-1/4" SS	4
51	H-92865A227	HCS 3/8"- 24 X 3.5" SS	1
52	H-98025	FW 3/8" GRADE 8	4
53	H-NJ04C	JNYL 1/4" - 20 SS	2
54	H-NJ06C	JNYL 3/8- 16 SS	1
55	H-RUE14	3/8" RUE RING COTTER	1
56	M-6391K403	.312 ID X .375 OD X .25 LG BEARING SLEEVE	4
57	M-9434T27	3/4" DIA I HOLE TUBE STRAP	1

48 23 Inch Disk Deck-Traction Drive



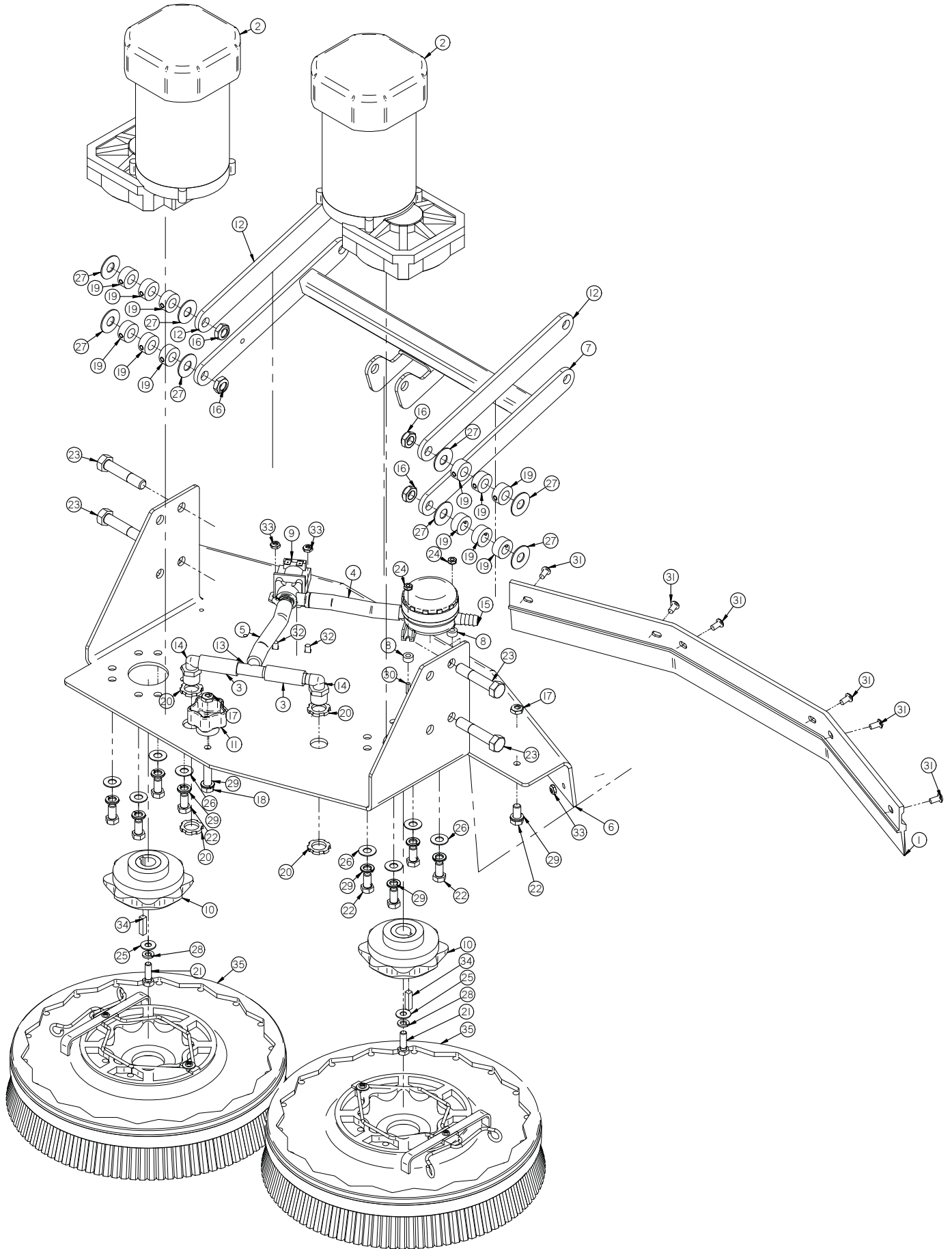
Item	Part Number	Part Description	Qty
1	170-1030	DISK DECK COVER PLATE	1
2	170-1160	DISK DECK PLATFORM, 23"	1
3	170-1165	CURTAIN BAND, 23"	1
4	170-1601	1/2" ID X 2-3/4" LG WIRE REINF. CLEAR TUBE	1
5	170-1602	1/2" ID X 14" LG WIRE REINF. CLEAR TUBE	1
6	170-1620	1/2 ID X 6-3/4" LG WIRE REINF. CLEAR TUBE	1
7	170-9586	LATERAL ARM	1
8	190-1115	20" LIFT BRACKET	2
9	190-1176	23" DECK CURTAIN, REAR	1
10	21-2500	MOTOR 3/4 HP X 270 RPM	1
11	21-4500	ADJUSTABLE SOLUTION FLOW VALVE	1
12	21-5000	BRUSH DRIVER	1
13	290-1233	3/8" ID, 1/2" OD, 1/4" LG BEARING	4
14	290-5787	STAR KNOB, 3/8-24 THREAD	2
15	5-431	1/4" X 1" KEY	1
16	5-447	1/2 NPT X 1/2" BARB ELBOW	1
17	5-913	INLINE FILTER	1
18	7-843	ADJUSTABLE LATERAL ARM	2
19	H-00222	FW 3/4" ID X 1 1/8" OD X 3/32" SS	1
20	H-0171004	JNYL 3/8- 24 SS	2
21	H-0172519	CB #10-32 X 5/8" SS	6
22	H-0172526	CB 5/16"- 18 X 5/8" SS	2
23	H-0172951	HCS 3/8"- 24 X 2 1/2" S/S	2
24	H-07005	1/2" NPT LOCKNUT	2
25	H-70055	HCS 5/16"- 18 X 1" SS	1
26	H-70105	HCS 3/8"- 16 X 1" SS	4
27	H-70730	HN 1/4"- 28 SS	1
28	H-70861	NYLOK 5/16" - 18 SS	17
29	H-70923	KN #10-32 SS	8
30	H-71015	FW 5/16 ID X 3/4 OD SS	9
31	H-71065	LW 5/16" SS	1
32	H-71067	LW 3/8" SS	6
33	H-72534	PPH #10-32 X 3/4" S/S	2
34	H-74417	CB 1/4"- 20 X .5" SS	2
35	H-74429	CB 5/16"- 18 X 3/4" SS	7
36	H-74430	CB 5/16"- 18 X 1" SS	4
37	H-74431	CB 5/16"- 18 X 1-1/4" SS	4
38	H-98025	FW 3/8" GRADE 8	4
39	H-99001	FW 3/8" SS	1
40	H-NJ04C	JNYL 1/4" - 20 SS	2
41	M-6391K403	.312 ID X .375 OD X .25 LG BEARING SLEEVE	8
42	M-9434T27	3/4" DIA I HOLE TUBE STRAP	1

50 26 Inch Disk Deck-Traction Drive



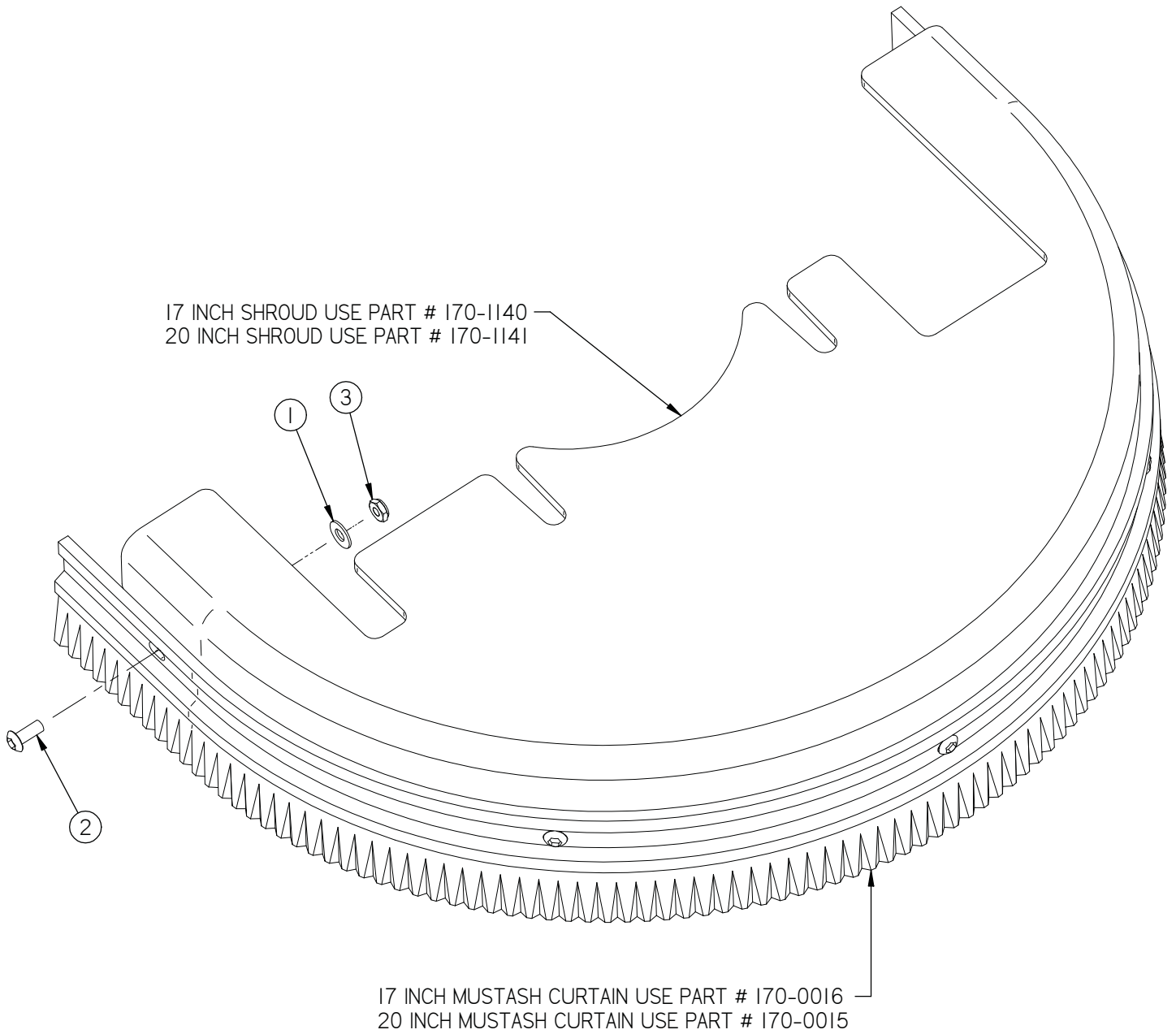
Item	Part Number	Part Description	Qty
1	170-1111	SHROUD PLATE	2
2	170-1150	DISK DECK PLATFORM, 26"	1
3	170-1155	CURTAIN BAND, 26"	1
4	170-1168	DISK DECK CURTAIN, 26"	1
5	170-1602	1/2" ID X 14" LG WIRE REINF. CLEAR TUBE	1
6	170-1605	1/2" ID X 2" LG WIRE REINF. CLEAR TUBE	1
7	170-1606	1/2" ID X 2-1/2" LG WIRE REINF. CLEAR TUBE	2
8	170-1609	1/2" ID X 5-1/2" LG WIRE REINF. CLEAR TUBE	1
9	170-9586	LATERAL ARM	1
10	21-2211	SPACER 1/2 OD X 1/4"	2
11	21-2500	MOTOR 3/4 HP X 270 RPM	2
12	21-4500	ADJUSTABLE SOLUTION FLOW VALVE	1
13	21-5000	BRUSH DRIVER	2
14	21-7205	STAR KNOB	1
15	290-1233	3/8" ID, 1/2" OD, 1/4" LG BEARING	8
16	5-124	LATERAL ARM	2
17	5-431	1/4" X 1" KEY	2
18	5-446	1/2" PLASTIC BARB TEE	1
19	5-447	1/2 NPT X 1/2" BARB ELBOW	2
20	5-913	INLINE FILTER	1
21	H-00222	FW 3/4 X 1 1/8 X 3/32 SS	2
22	H-01219	HCS 3/8"- 24 X 1 1/8" SS	1
23	H-0171004	JNYL 3/8- 24 SS	2
24	H-07005	1/2" NPT LOCKNUT	4
25	H-70055	HCS 5/16"- 18 X 1" SS	2
26	H-70105	HCS 3/8"- 16 X 1" SS	8
27	H-70141	HCS 3/8"-24 X 3/4" SS	2
28	H-70730	HN 1/4"- 28 SS	1
29	H-70861	NYLOK 5/16" - 18 SS	8
30	H-70923	KN #10-32 SS	2
31	H-70925	KN 1/4-20 S/S	5
32	H-71015	FW 5/16" X 3/4" SAE SS	10
33	H-71065	LW 5/16" SS	2
34	H-71067	LW 3/8" SS	11
35	H-72534	PPH #10-32 X 3/4" S/S	2
36	H-74417	CB 1/4"- 20 X .5" SS	7
37	H-74430	CB 5/16"- 18 X 1" SS	8
38	H-99001	FW 3/8" SS	2
39	H-NJ04C	JNYL 1/4" - 20 SS	2
40	M-6391K403	.312 ID X .375 OD X .25 LG BEARING SLEEVE	8

52 28 Inch Disk Deck-Traction Drive

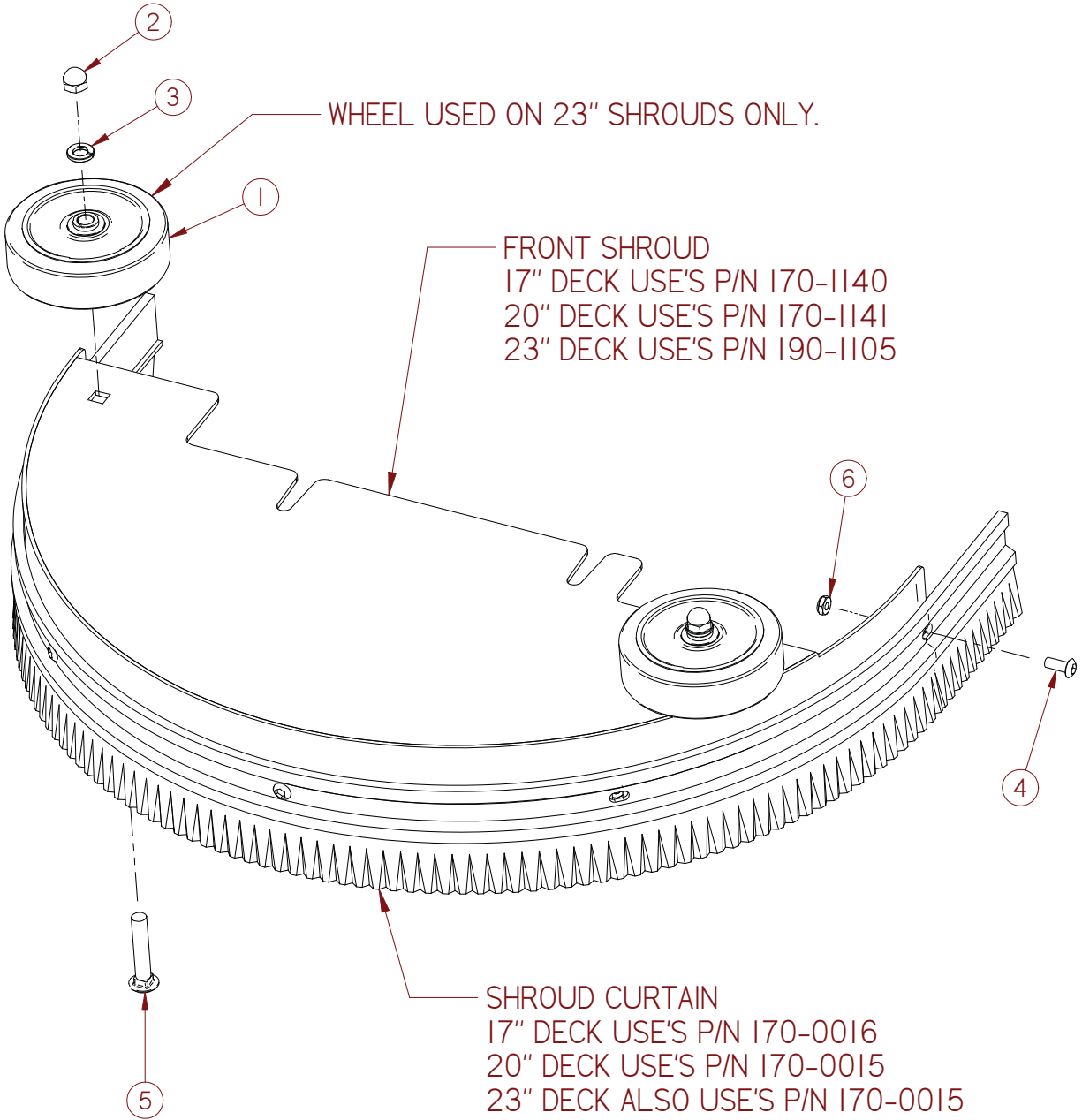


Item	Part No.	Part Description	Qty.
1	170-0018	DECK SKIRT	1
2	170-0211	MOTOR, 24V, 3/4 HP, 270 RPM	2
3	170-1606	1/2" ID X 2" LG WIRE REINF. CLEAR TUBE	2
4	170-1609	1/2" ID X 5-1/2" LG WIRE REINF. CLEAR TUBE	1
5	170-1609	1/2" ID X 5-1/2" LG WIRE REINF. CLEAR TUBE	1
6	170-2050	DISK DECK PLATFORM, 28"	1
7	170-9586	LATERAL ARM	1
8	21-2211	SPACER 1/2 OD X 1/4"	2
9	21-4500	ADJUSTABLE SOLUTION FLOW VALVE	1
10	21-5000	BRUSH DRIVER	2
11	290-5787	STAR KNOB, 3/8-24 THREAD	1
12	5-124	LATERAL ARM	2
13	5-446	1/2 " PLASTIC BARB TEE	1
14	5-447	1/2 NPT X 1/2" BARB ELBOW	2
15	5-913	INLINE FILTER	1
16	H-0129159	JNYL, 1/2"-13, 18-8 SS	4
17	H-0171004	JNYL 3/8- 24 SS	3
18	H-01729	HCS 3/8"- 24 X 1-1/2" SS	1
19	H-03660	.50 ID SHAFT COLLAR WITH SET SCREW	12
20	H-07005	1/2" NPT LOCKNUT	4
21	H-70055	HCS 5/16"- 18 X 1" SS	2
22	H-70141	HCS 3/8"-24 X 3/4" SS	10
23	H-70213	HCS 1/2"-13 X 2-1/2" SS	4
24	H-70923	KN #10-32 SS	2
25	H-71015	FW 5/16 ID X 3/4 OD SS	2
26	H-71017	FW 3/8 ID X 7/8 OD SS	8
27	H-71021	FW 1/2 ID X 1-1/4 OD SS	8
28	H-71065	LW 5/16" SS	2
29	H-71067	LW 3/8" SS	11
30	H-72534	PPH #10-32 X 3/4" S/S	2
31	H-73752	BHSCS 1/4 - 20 X 1/2" SS	6
32	H-74417	CB 1/4"- 20 X .5" SS	2
33	H-NJ04C	JNYL 1/4" - 20 SS	3
34	INCL. W/MOTOR	1/4" X 1" KEY	2
35	SEE COMMON WEAR PARTS	DISK BRUSH	2

54 17 & 20 Inch Shroud Assembly

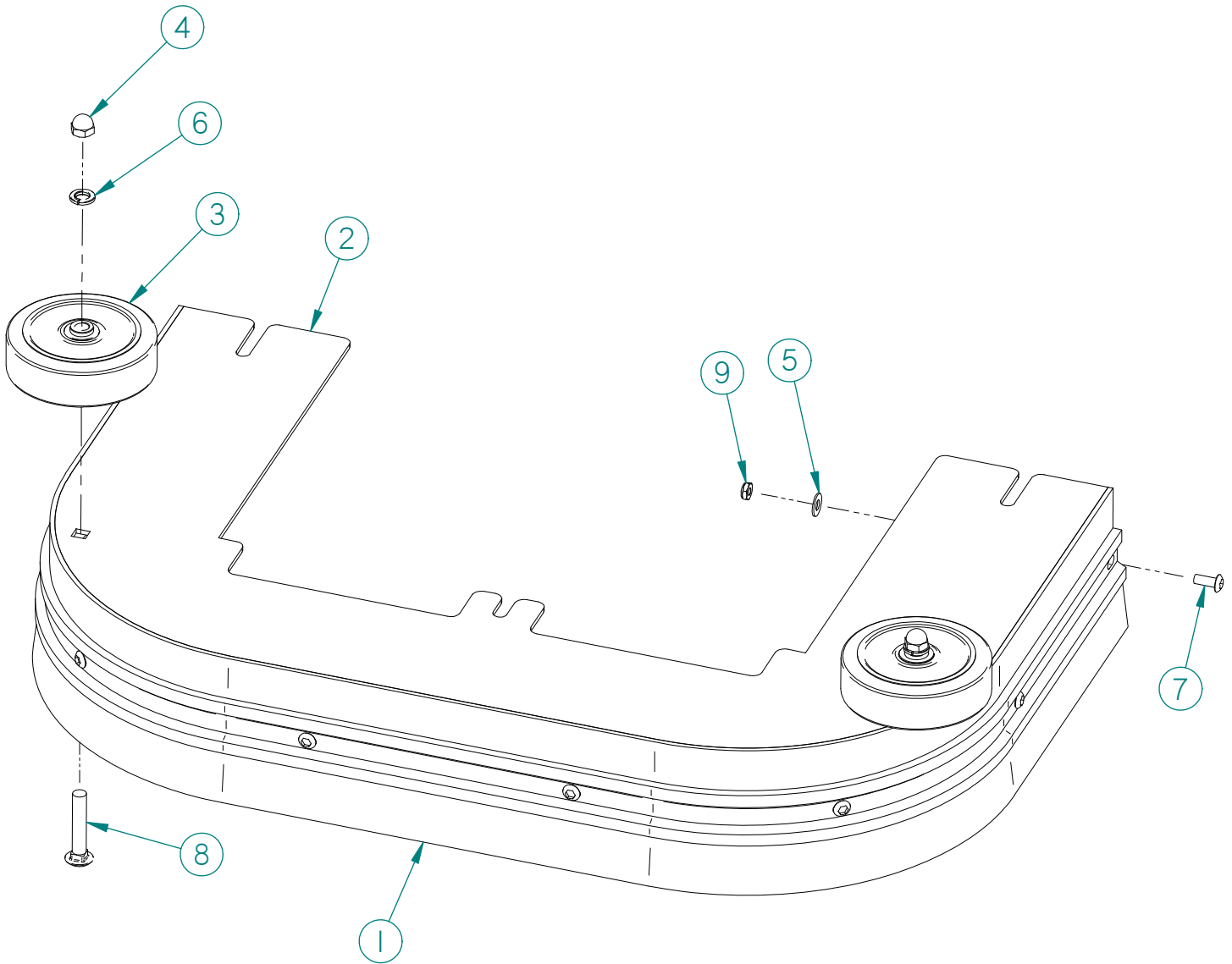


Item	Part Number	Part Description	Qty
1	H-71013	FW 1/4 ID X 5/8 OD SS	5
2	H-73753	BHSCS 1/4 - 20 X 5/8" SS	5
3	H-NJ04C	JNYL 1/4" - 20 SS	5

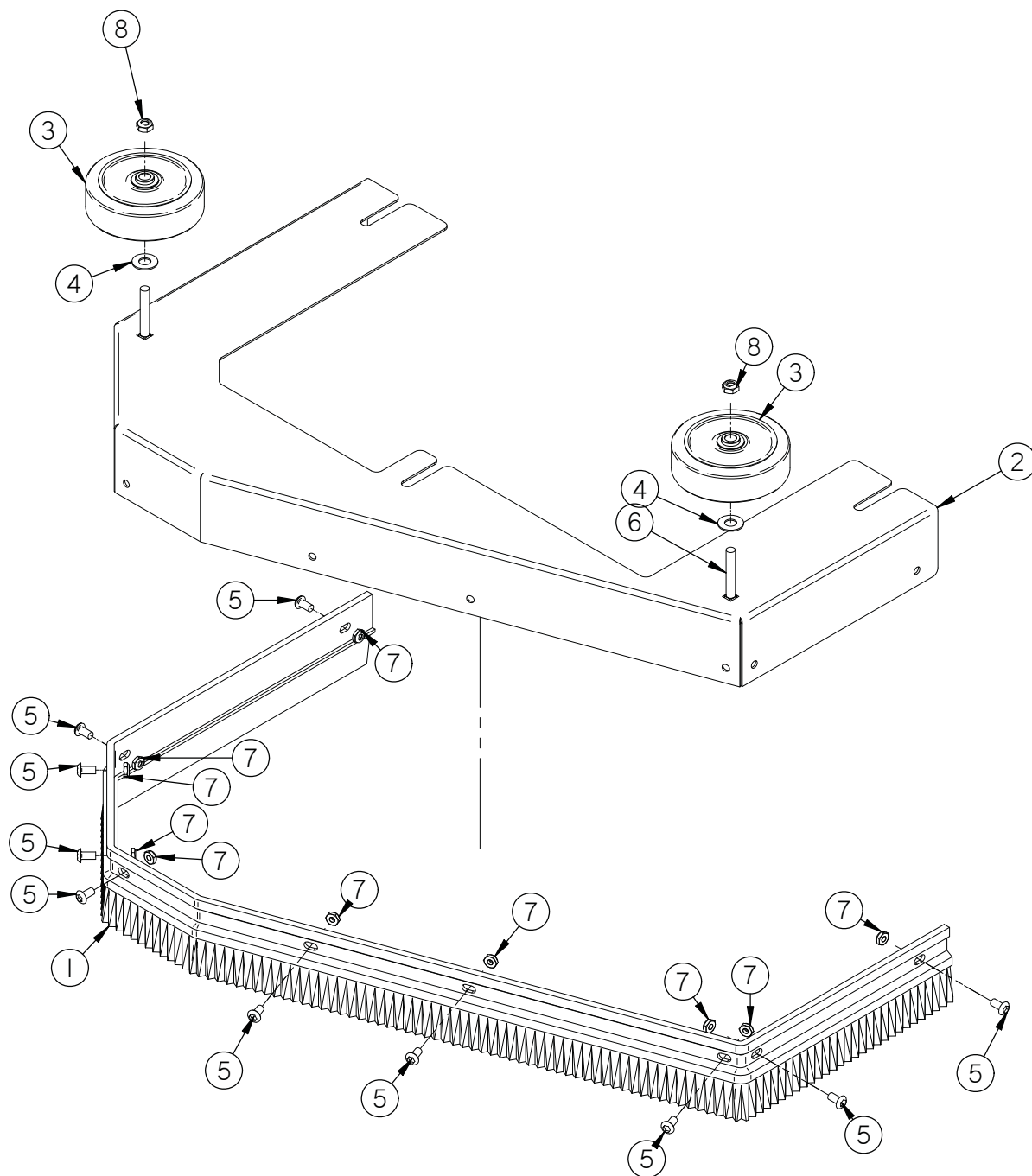


Item	Part Number	Part Description	Qty
1	190-3030	4.0" WHEEL (GRAY)	2
2	H-37710	3/8-16 LC ACORN NUT, NICKEL	2
3	H-71067	LW 3/8" SS	2
4	H-73753	BHSCS 1/4 - 20 X 5/8" SS	5
5	H-74439	CB 3/8"- 16 X 2.0" SS	2
6	H-NJ04C	JNYL 1/4" - 20 SS	5

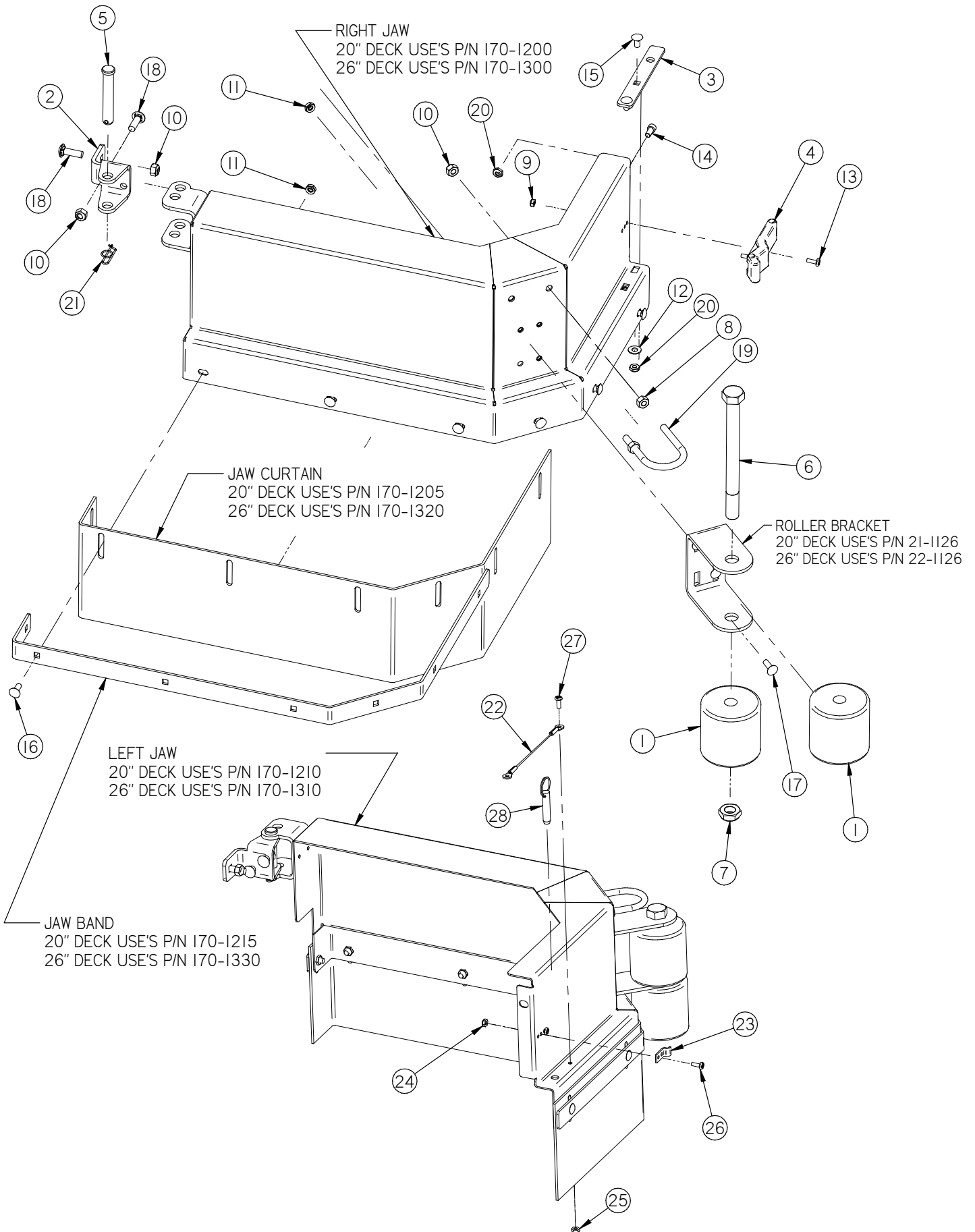
56 26 Inch Shroud Assembly



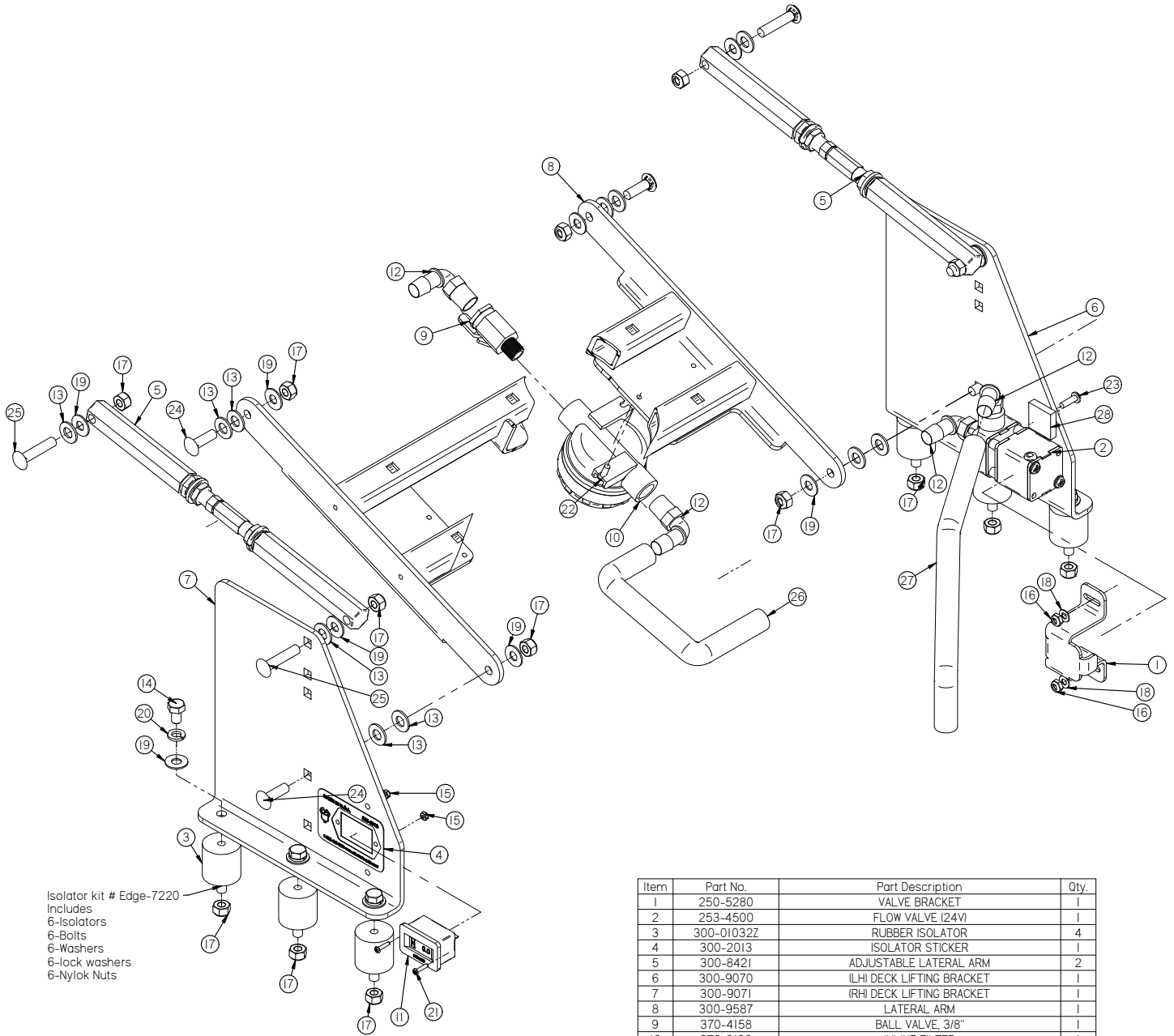
Item	Part Number	Part Description	Qty
1	170-0017	SHROUD CURTAIN, 26"	1
2	170-1110	26" DUAL DISK SHROUD	1
3	190-3030	4.0" WHEEL (GRAY)	2
4	H-37710	3/8-16 LC ACORN NUT, NICKEL	2
5	H-71013	FW 1/4 ID X 5/8 OD SS	8
6	H-71067	LW 3/8" SS	2
7	H-73753	BHSCS 1/4 - 20 X 5/8" SS	8
8	H-74439	CB 3/8"- 16 X 2.0" SS	2
9	H-NJ04C	JNYL 1/4" - 20 SS	8



Item	Part No.	Part Description	Qty.
1	170-0019	SHROUD SKIRT	1
2	170-1116	SHROUD, 28"	1
3	190-3030	4.0" WHEEL (GRAY)	2
4	H-71017	FW 3/8 ID X 7/8 OD SS	2
5	H-73752	BHSCS 1/4 - 20 X 1/2" SS	10
6	H-74433	CB 5/16"- 18 X 2" SS	2
7	H-NJ04C	JNYL 1/4" - 20 SS	10
8	H-NJ05C	JNYL 5/16"- 18 SS	2

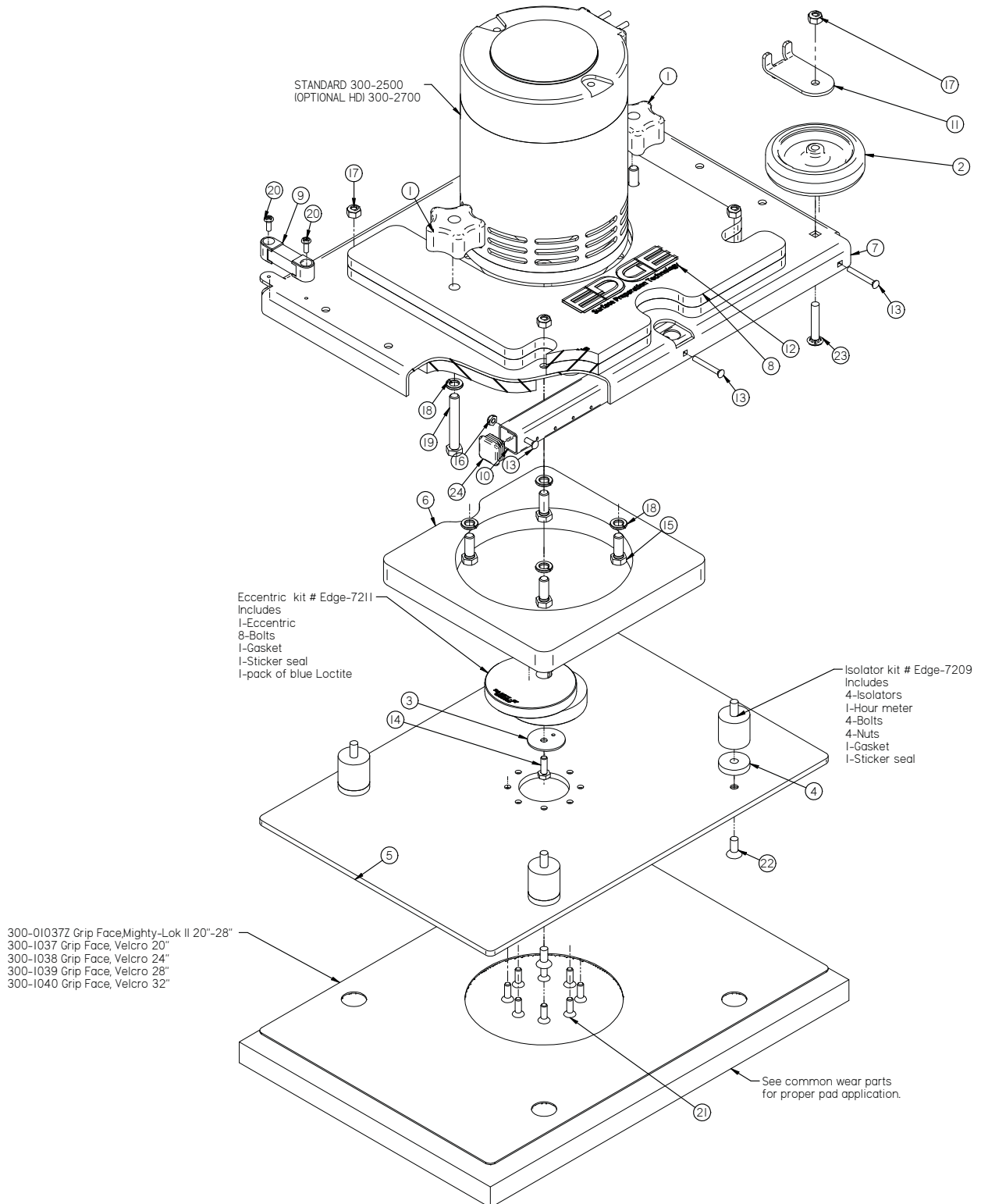


Item	Part Number	Part Description	Qty
1	21-1127	ROLLER	2
2	253-1160	JAW HINGE, INNER	1
3	253-1350	JAW LOCK	1
4	4-124	LATCH	1
5	H-0156775	1/2" X 3" CLEVIS PIN	1
6	H-13327	HB 5/8"- 11 X 7"	1
7	H-37038	JNYL 5/8"- 11	1
8	H-70711	HN 5/16"- 18 SS	2
9	H-70856	NYLOK #8-32 SS	2
10	H-70861	NYLOK 5/16" - 18 SS	5
11	H-70925	KN 1/4-20 S/S	11
12	H-71013	FW 1/4 ID X 5/8 OD SS	2
13	H-72398	PPH #8-32 X 1/2" S/S	2
14	H-73459	SHCS 1/4-20 X 1/2 SS	1
15	H-74417	CB 1/4"- 20 X .5" SS	2
16	H-74418	CB 1/4"- 20 X 5/8" S/S	7
17	H-74419	CB 1/4"- 20 X .75" SS	4
18	H-74430	CB 5/16"- 18 X 1" SS	3
19	H-74631	5/16-18 X 2 1/4" SS U BOLT	1
20	H-NJ04C	JNYL 1/4" - 20 SS	3
21	H-RUE22	1/2" RUE RING COTTER	1
22	21-4060	6" LANYARD	1
23	4-124	CLIP, LATCH	1
24	H-70856	NYLOK #8-32 SS	2
25	H-70858	NYLOK #10-32 SS	1
26	H-72398	PPH #8-32 X 1/2" S/S	2
27	H-72515	PPH #10-32 X 1/2" S/S	1
28	H-ZCPI42	DET RING PIN, 3/8" X 1"	1

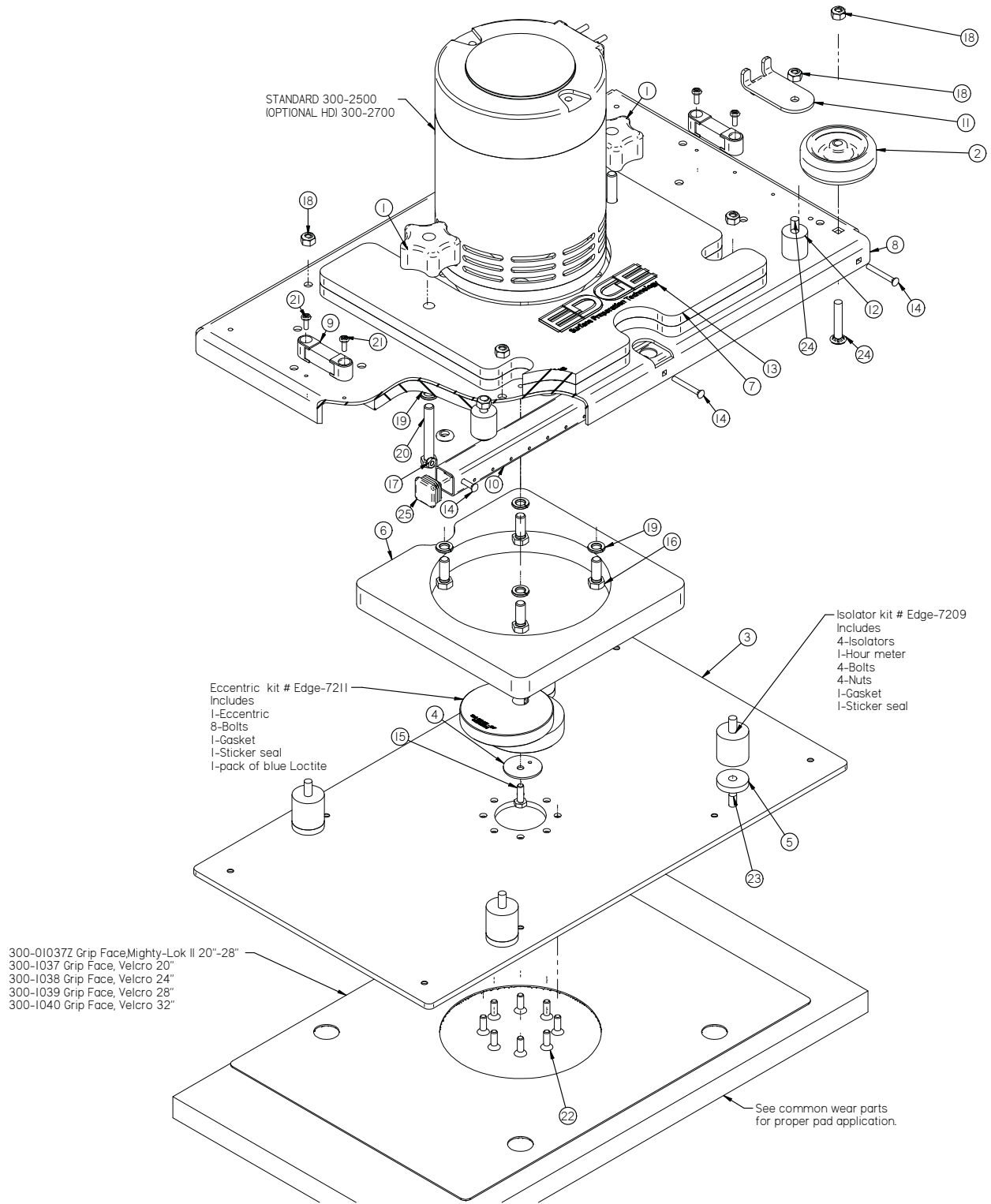


Isolator kit # Edge-7220
Includes
6-Isolators
6-Bolts
6-Washers
6-Lock washers
6-Nylok Nuts

Item	Part No.	Part Description	Qty.
1	250-5280	VALVE BRACKET	1
2	253-4500	FLOW VALVE (24V)	1
3	300-01032Z	RUBBER ISOLATOR	4
4	300-2013	ISOLATOR STICKER	1
5	300-8421	ADJUSTABLE LATERAL ARM	2
6	300-9070	ILHI DECK LIFTING BRACKET	1
7	300-9071	IRHI DECK LIFTING BRACKET	1
8	300-9587	LATERAL ARM	1
9	370-4158	BALL VALVE, 3/8"	1
10	370-9130	INLINE FILTER	1
11	8-262	HOUR METER	1
12	H-04764	ELBOW, 90 DEG X 3/8" MNPT X 1/2" BARB, NYLON	4
13	H-4440024	FW 3/8" X 3/4" NYLON	12
14	H-70051	HCS 5/16" - 18 X 1/2"	6
15	H-70854	NYLOK #4-40 SS	2
16	H-70858	NYLOK #10-32 SS	2
17	H-70861	NYLOK 5/16" - 18 SS	14
18	H-71009	FW #10 SS	2
19	H-71015	FW 5/16 ID X 3/4 OD SS	14
20	H-71065	LW 5/16" SS	6
21	H-72486	PPH #4-40 X 1/2" S/S	2
22	H-72515	PPH #10-32 X 1/2" S/S	2
23	H-72517	PPH #10-32 X 5/8" SS	2
24	H-74430	CB 5/16" - 18 X 1" SS	4
25	H-74432	CB 5/16" - 18 X 1-1/2" SS	4
26	T-050R0800	FILTER TO VALVE	1
27	T-050R1250	VALVE TO FEED TUBE	1
28	T-438350025	VALVE PAD	1

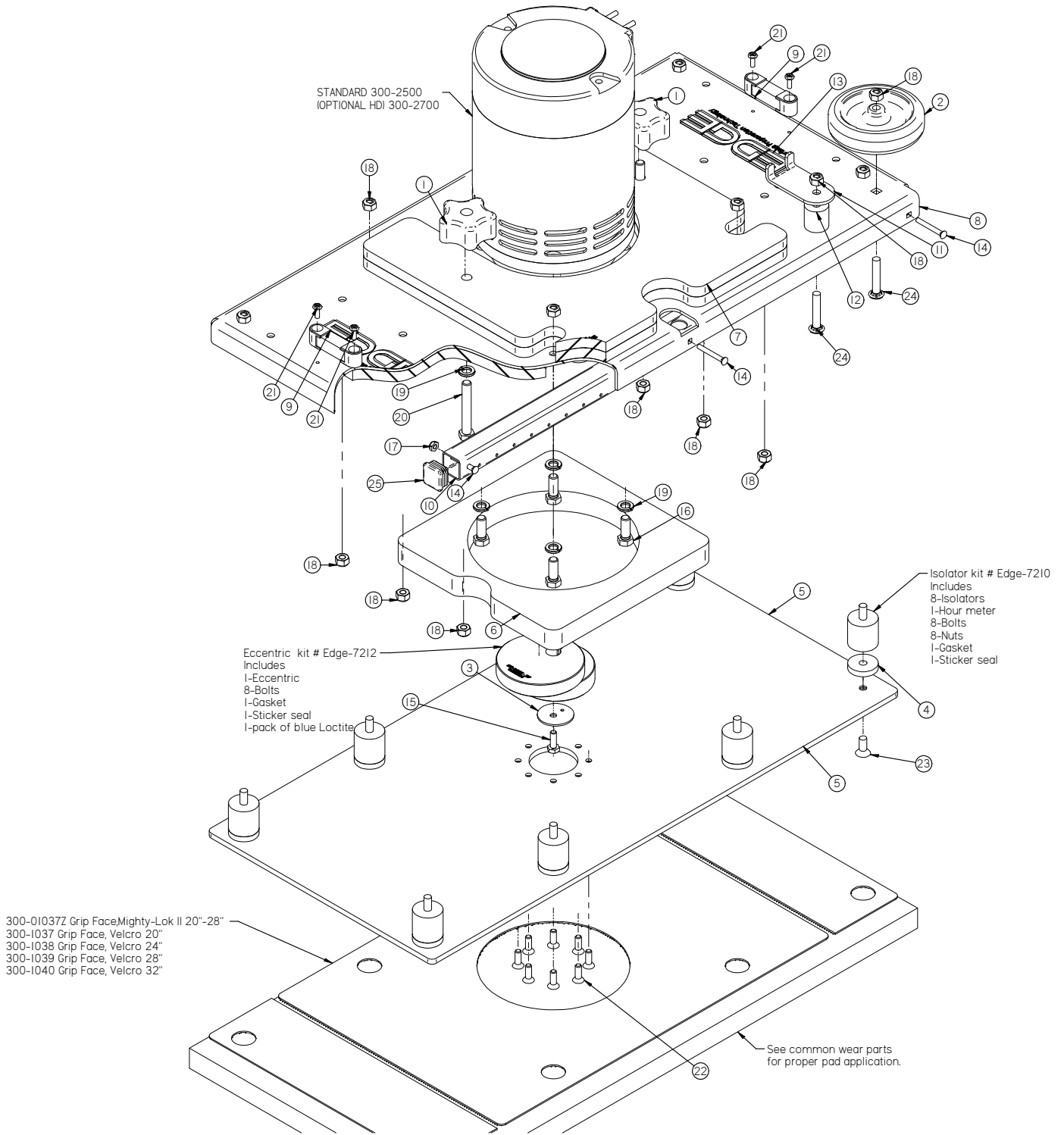


Item	Part No.	Part Description	Qty.	Item	Part No.	Part Description	Qty.
1	150-5786	STAR KNOB, 3/8-16 THREAD	2	13	H-0172523	CB #10-32 X 1-1/2" SS	3
2	150-7600	4" SIDE WHEEL (GREY)	2	14	H-70003	HCS 1/4"-20 X 3/4" SS	1
3	300-01030Z	CRUSH WASHER	1	15	H-70105	HCS 3/8"-16 X 1" SS	4
4	300-01033Z	20 & 28" SPACER	4	16	H-70858	NYLOK #10-32 SS	3
5	300-01034Z	20 INCH ALUMINUM PAD DRIVER	1	17	H-70861	NYLOK 5/16" - 18 SS	6
6	300-1073	1" BEARING GASKET	1	18	H-71067	LW 3/8" SS	6
7	300-4020	20 INCH SQUARE HEAD DECK	1	19	H-71190	HCS 3/8"-16 X 2-1/2" SS (FULLY THREADED)	2
8	300-4021	MINIMAG/MAGNUM 14 LBS WEIGHT	2	20	H-72398	PPH #8-32 X 1/2" S/S	4
9	300-4030	LEVEL	2	21	H-72708	FHP 1/4"-20 X 3/4"	8
10	300-5020	SQ. SOLUTION FEED TUBE (20")	1	22	H-73907	FHSCS 5/16"-18 X 3/4" SS	4
11	300-9072	WHEEL BRACKET	2	23	H-74401	CB 5/16"-18 X 1-3/4" SS	2
12	EDGE-7205	5 INCH EDGE STICKER	1	24	M-9565K51	1.0 X 1.0 SQ TUBE PLUG	2



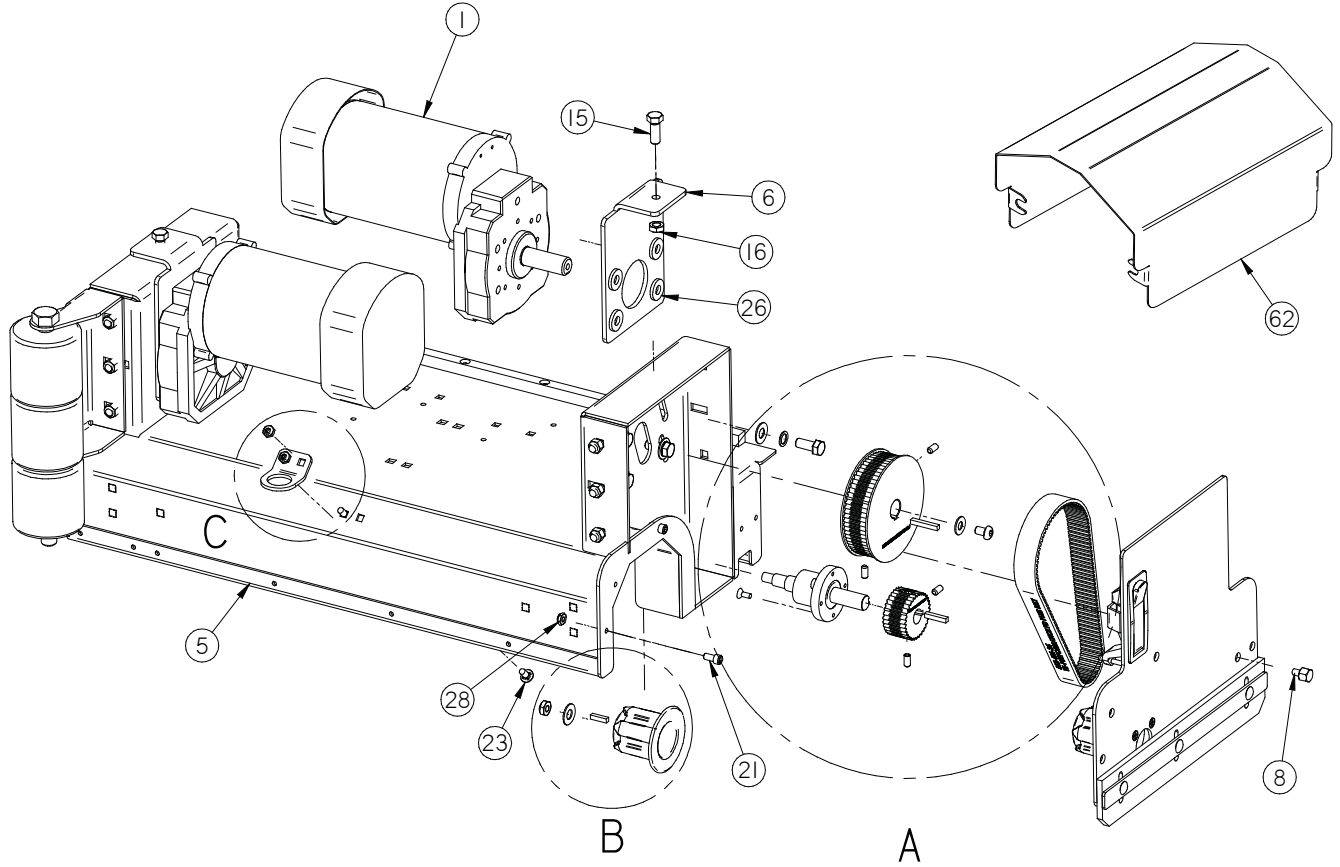
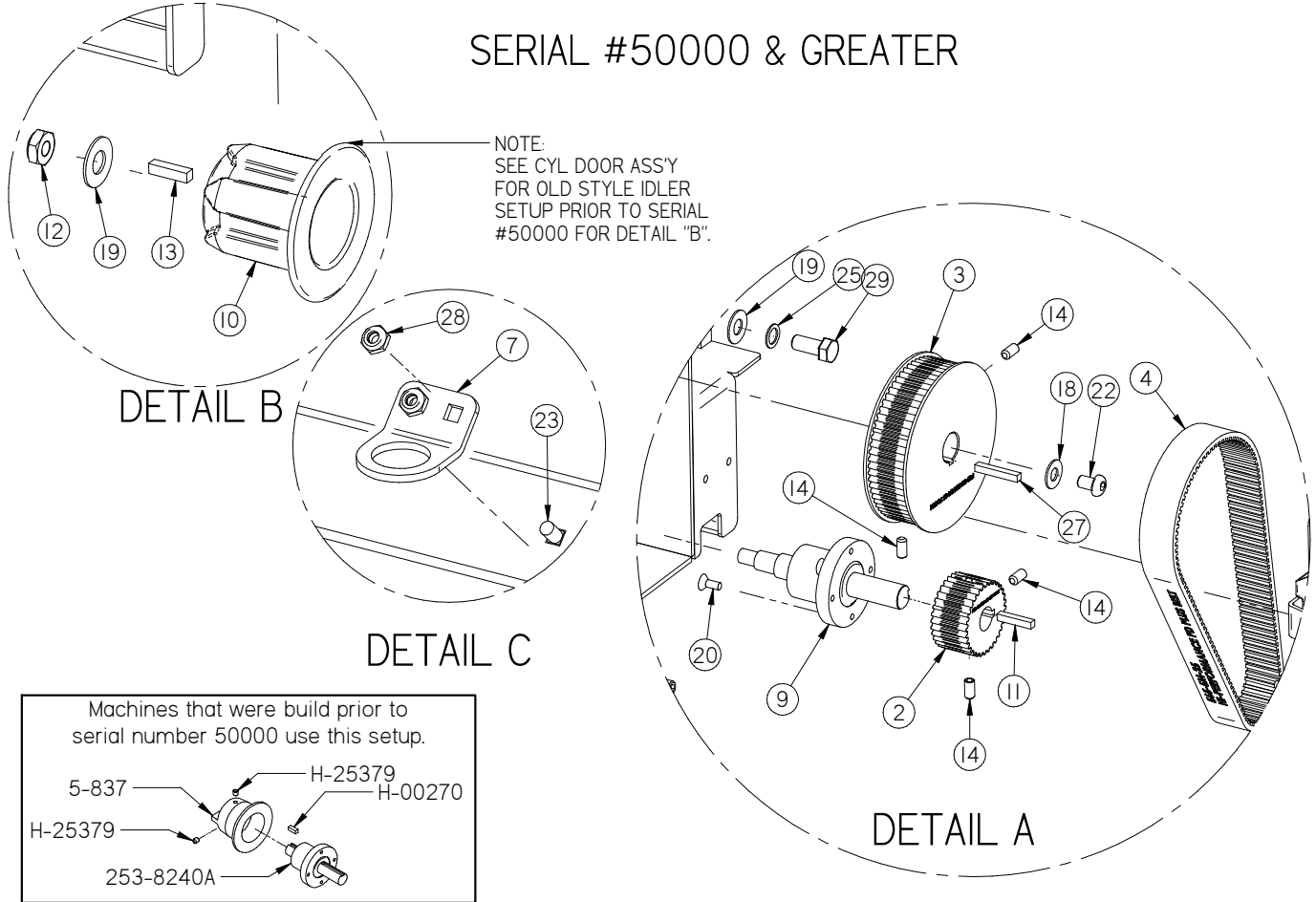
300-01037Z Grip Face, Mighty-Lok II 20"-28"
 300-1037 Grip Face, Velcro 20"
 300-1038 Grip Face, Velcro 24"
 300-1039 Grip Face, Velcro 28"
 300-1040 Grip Face, Velcro 32"

Item	Part No.	Part Description	Qty.	Item	Part No.	Part Description	Qty.
1	150-5786	STAR KNOB, 3/8-16 THREAD	2	13	EDGE-7205	5 INCH EDGE STICKER	1
2	150-7601	3" SIDE WHEEL (GREY)	2	14	H-0172523	CB #10-32 X 1-1/2" SS	3
3	300-01024Z	24 INCH ALUMINUM PAD DRIVER	1	15	H-70003	HCS 1/4"-20 X 3/4" SS	1
4	300-01030Z	CRUSH WASHER	1	16	H-70105	HCS 3/8"-16 X 1" SS	4
5	300-01033Z	20 & 28" SPACER	4	17	H-70858	NYLOK #10-32 SS	3
6	300-1073	1" BEARING GASKET	1	18	H-70861	NYLOK 5/16" - 18 SS	8
7	300-4021	MINIMAGMAGNUM 14 LBS WEIGHT	2	19	H-71067	LW 3/8" SS	6
8	300-4027	24 INCH SQUARE HEAD DECK	1	20	H-71190	HCS 3/8"-16 X 2-1/2" SS (FULLY THREADED)	2
9	300-4030	LEVEL	2	21	H-72398	PPH #8-32 X 1/2" S/S	4
10	300-5024	SQ. SOLUTION FEED TUBE (24")	1	22	H-72708	FHP 1/4"-20 X 3/4"	8
11	300-9072	WHEEL BRACKET	2	23	H-73907	FHSCS 5/16"-18 X 3/4" SS	4
12	5-846	STANDOFF, 1.03"	2	24	H-74401	CB 5/16"-18 X 1-3/4" SS	4
				25	M-9565K51	1.0 X 1.0 SQ TUBE PLUG	2



Item	Part No.	Part Description	Qty.	Item	Part No.	Part Description	Qty.
1	150-5786	STAR KNOB, 3/8-16 THREAD	2	13	EDGE-7205	5 INCH EDGE STICKER	3
2	150-7600	4" SIDE WHEEL (GREY)	2	14	H-0172523	CB #10-32 X 1-1/2" SS	3
3	300-01030Z	CRUSH WASHER	1	15	H-70003	HCS 1/4"-20 X 3/4" SS	1
4	300-01033Z	20 & 28" SPACER	8	16	H-70105	HCS 3/8"- 16 X 1" SS	4
5	300-01035Z	28 INCH ALUMINUM PAD DRIVER	1	17	H-70858	NYLOK #10-32 SS	3
6	300-1073	1" BEARING GASKET	1	18	H-70861	NYLOK 5/16"- 18 SS	18
7	300-4021	MINIMAGMAGNUM 14 LBS WEIGHT	2	19	H-71067	LW 3/8" SS	6
8	300-4022	28 INCH SQUARE HEAD DECK	1	20	H-71190	HCS 3/8"- 16 X 2-1/2" SS (FULLY THREADED)	2
9	300-4030	LEVEL	2	21	H-72398	PPH #8-32 X 1/2" S/S	4
10	300-5028	SQ. SOLUTION FEED TUBE (28")	1	22	H-72708	FHP 1/4"- 20 X 3/4"	8
11	300-9072	WHEEL BRACKET	2	23	H-73907	FHSCS 5/16"- 18 X 3/4" SS	8
12	5-846	STANDOFF, 1.03"	2	24	H-74401	CB 5/16"- 18 X 1-3/4" SS	4
				25	M-9565K51	1.0 X 1.0 SQ TUBE PLUG	2

SERIAL #50000 & GREATER

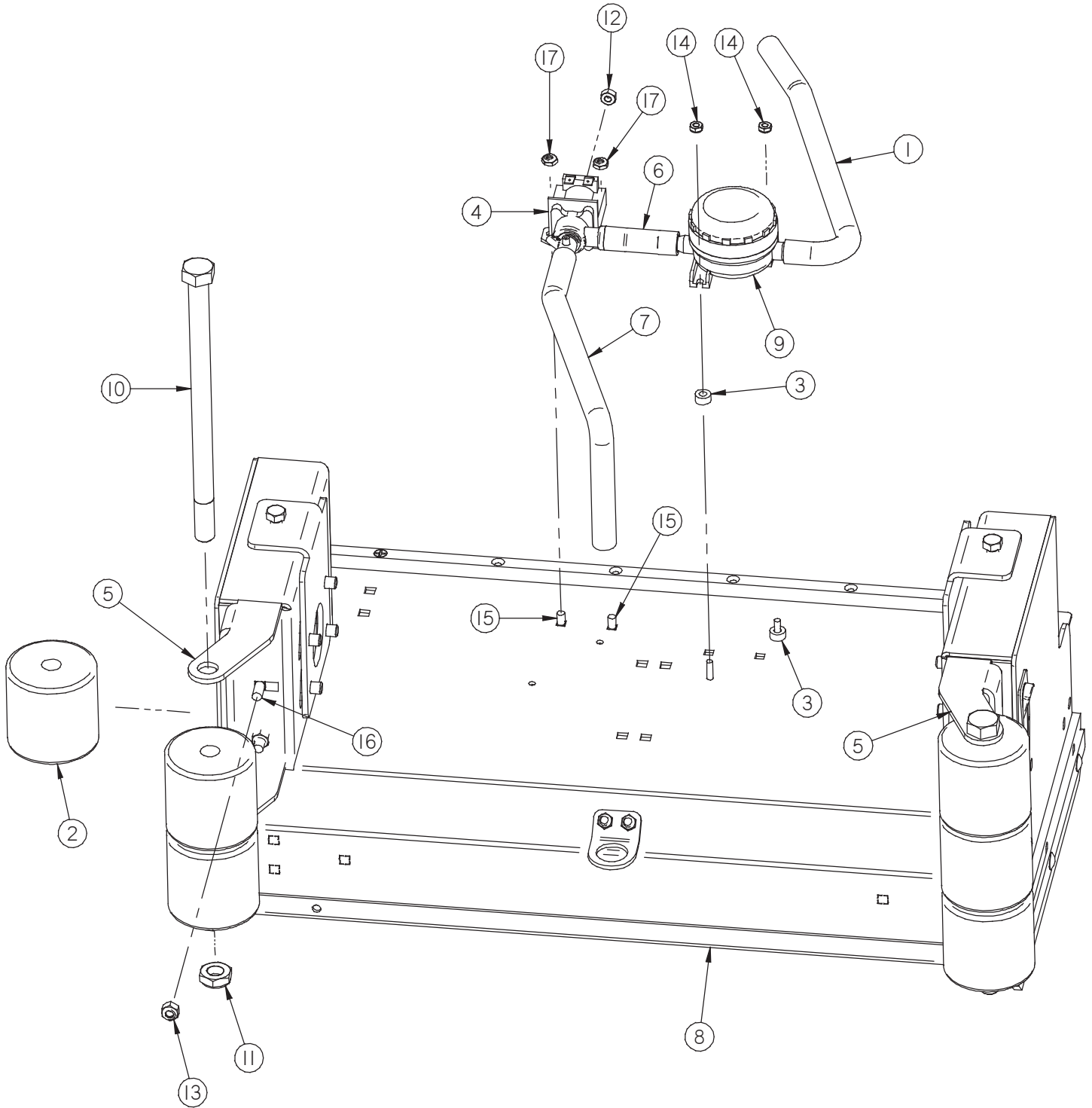


SERIAL #50000 & GREATER

Item	Part Number	Part Description	Qty
1	253-211	MOTOR, 24V, 3/4 HP, 350 RPM	2
2	253-8215	TIMING SPROCKET 32 TOOTH	2
3	253-8225	TIMING SPROCKET 68 TOOTH	2
4	253-8230	565-5M-25 HI-PERFORMANCE PD PLUS BELT	2
5	253-9000	CYLINDRICAL BRUSHHEAD, 24"	1
6	253-9002	MOTOR ADJ BRACKET	2
7	253-9003	QUICK DISCONNECT BRACKET	1
8	253-9024	THUMB SCREW	2
9	370-8240A	BEARING HOUSING/BEARING	2
10	370-8370	BRUSH DRIVER/IDLER (NEW STYLE)	2
11	H-01125	3/16" X 1" KEY	2
12	H-0171004	JNYL 3/8- 24 SS	2
13	H-0953152	3/16" X 3/4" KEY	2
14	H-25382	SETSCREW, KCP, 1/4"-20 X 1/2"	8
15	H-70142	HCS 3/8"- 24 X 1" S/S	2
16	H-70832	HX JAM .375-24 SS	2
17	H-70861	NYLOK 5/16" - 18 SS	5
18	H-71015	FW 5/16 ID X 3/4 OD SS	2
19	H-71017	FW 3/8 ID X 7/8 OD SS	10
20	H-72682	FHP #10-32 X 1/2" SS	8
21	H-73459	SHCS 1/4-20 X 1/2 SS	4
22	H-73777	BHSCS 5/16-18 X 1/2"	2
23	H-74417	CB 1/4"- 20 X .5" SS	2
24	H-74429	CB 5/16"- 18 X 3/4" SS	5
25	H-90895	WASHER, SERRATED BELLEVILLE, 3/8", S/S	8
26	H-98025	FW 3/8" GRADE 8	10
27	H-KI4320	3/16" X 1 1/4" KEY	2
28	H-NJ04C	JNYL 1/4" - 20 SS	2
29	M-92865A214	HCS 3/8"-24 X 7/8" SS	6

NOTE: SEE COMMON WEAR PARTS PAGE FOR BRUSH SELECTION.

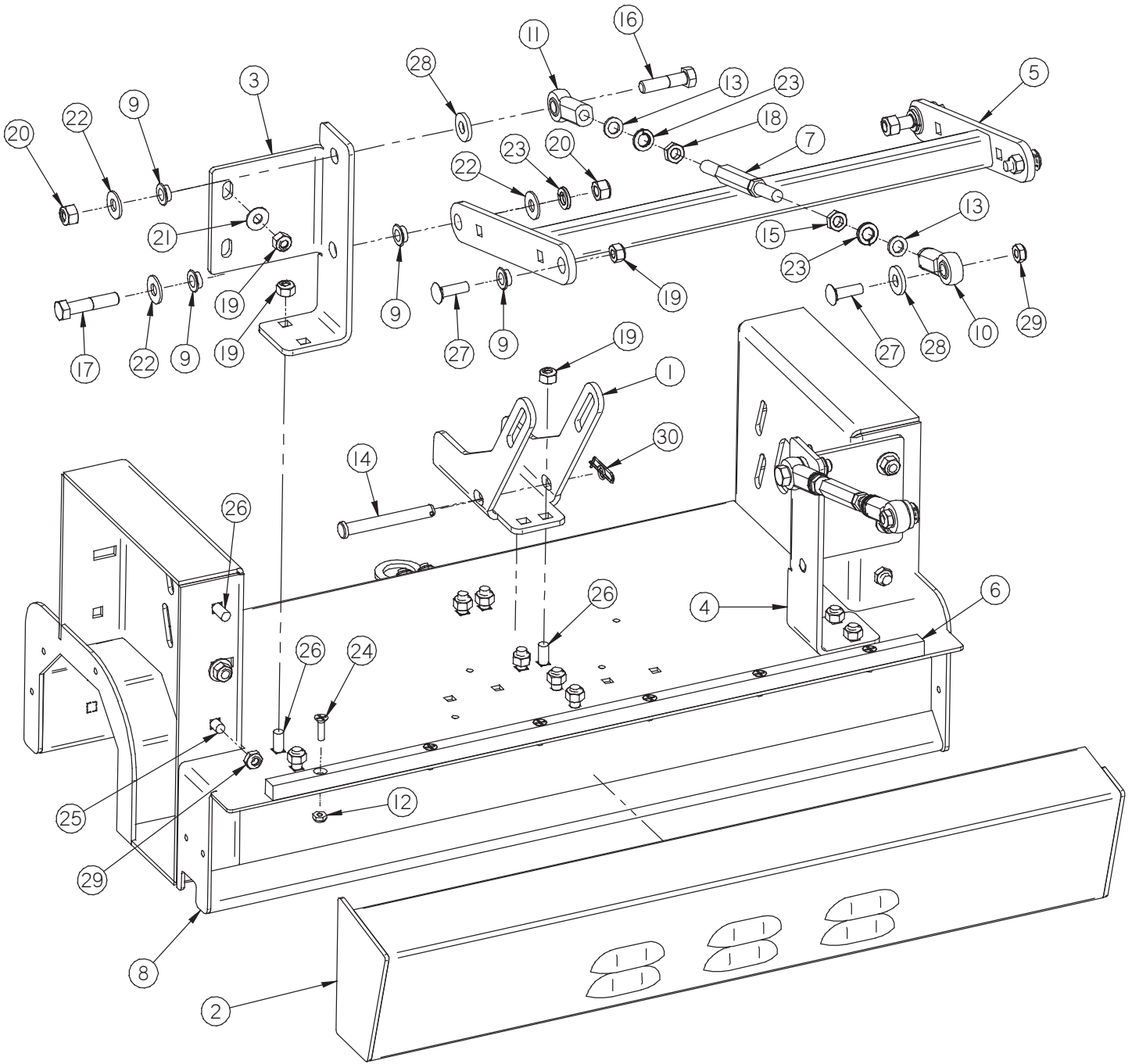
66 Cylindrical Deck Assembly - Rollers/Solution Flow



Item	Part Number	Part Description	Qty
1	170-1615	1/2" ID X 16" LG WIRE REINF. CLEAR TUBE	1
2	21-1127	ROLLER	6
3	21-2211	SPACER 1/2 OD X 1/4"	2
4	21-4500	ADJUSTABLE SOLUTION FLOW VALVE	1
5	253-1128	ROLLER BRACKET	2
6	253-1606	1/2" ID X 2-3/4" LG WIRE REINF. CLEAR TUBE	1
7	253-1607	1/2" ID X 12-1/4" LG WIRE REINF. CLEAR TUBE	1
8	253-9000	CYLINDRICAL BRUSHHEAD, 24"	1
9	5-913	INLINE FILTER	1
10	H-11333	HB 5/8"- 11 X 10"	2
11	H-37038	JNYL 5/8"- 11	2
12	H-70730	HN 1/4"- 28 SS	1
13	H-70861	NYLOK 5/16" - 18 SS	1
14	H-70923	KN #10-32 SS	2
15	H-74417	CB 1/4"- 20 X .5" SS	2
16	H-74429	CB 5/16"- 18 X 3/4" SS	1
17	H-NJ04C	JNYL 1/4" - 20 SS	2

NOTE: SEE COMMON WEAR PARTS PAGE FOR BRUSH SELECTION.

68 Cylindrical Deck Assembly - Lift Arms/Hopper

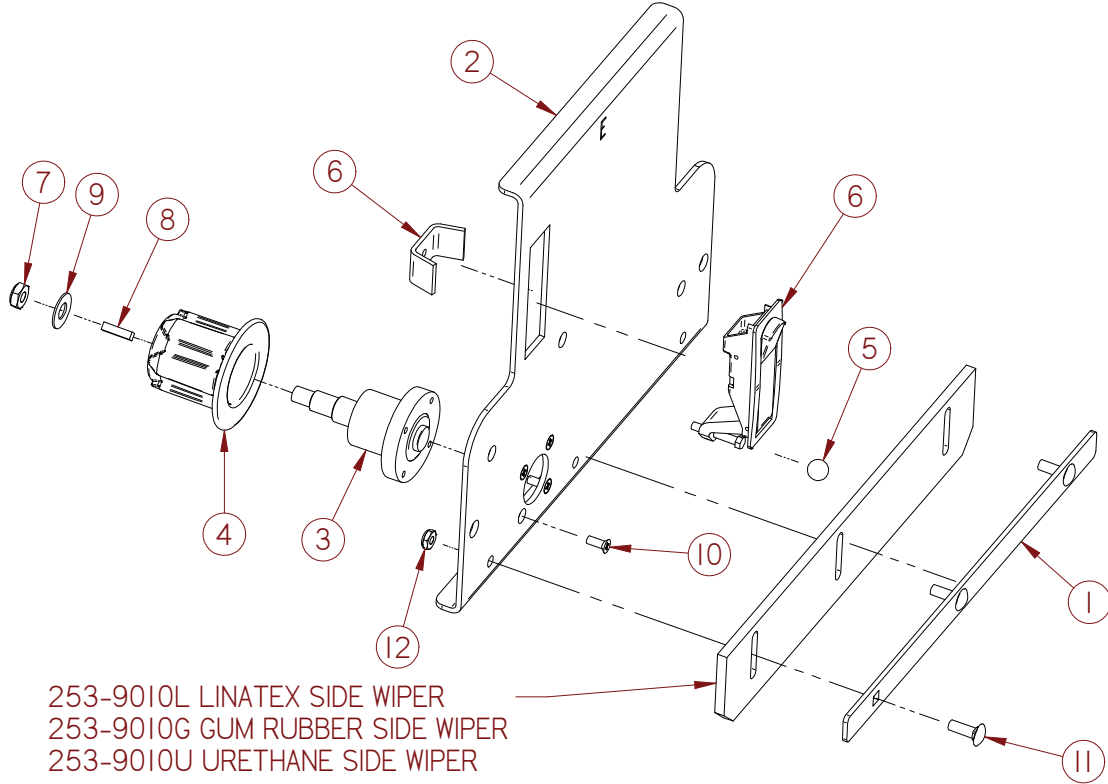


Item	Part Number	Part Description	Qty
1	170-9003	CYLINDRICAL LIFTING BRACKET	1
2	170-9060	24" HOPPER	1
3	170-9070	CYLINDRICAL LIFTING BRACKET, LEFT, 24"	1
4	170-9071	CYLINDRICAL LIFTING BRACKET, RIGHT, 24"	1
5	170-9590	LATERAL ARM	1
6	22-8320	HOPPER RAIL	1
7	253-8435	ADJUSTABLE LATERAL ARM BODY	2
8	253-9000	CYLINDRICAL BRUSHHEAD, 24"	1
9	290-1233	3/8" ID, 1/2" OD, 1/4" LG BEARING	8
10	290-9584	ROD END, 3/8-24 LEFT HAND THREAD	2
11	290-9585	ROD END, 3/8-24 RIGHT HAND THREAD	2
12	H-0129155	JNYL #10-32, 18-8 S/S	8
13	H-02949	3/8 ID X 5/8 OD SHIM	4
14	H-03183	CLEVIS PIN 3/8" x 3.00"	1
15	H-36956	LH HX JAM .375-24 SS	2
16	H-70109	HCS 3/8"- 16 X 1-1/2" SS	2
17	H-70110	HCS 3/8"- 16 X 1-3/4" SS	2
18	H-70832	HX JAM .375-24 SS	2
19	H-70861	NYLOK 5/16" - 18 SS	11
20	H-70862	NYLOK 3/8"-16 SS	4
21	H-71015	FW 5/16" X 3/4" SS	4
22	H-71017	FW 3/8" X 7/8" SS	6
23	H-71067	LW 3/8" SS	6
24	H-72684	FHP 10-32 X 3/4" SS	6
25	H-744??	CB 5/16"- 18 X 1/2" SS	2
26	H-74429	CB 5/16"- 18 X 3/4" SS	10
27	H-74430	CB 5/16"- 18 X 1" SS	4
28	H-98025	FW 3/8" GRADE 8	4
29	H-NJ05C	JNYL 5/16"- 18 SS	4
30	H-RUEI4	3/8" RUE RING COTTER	1

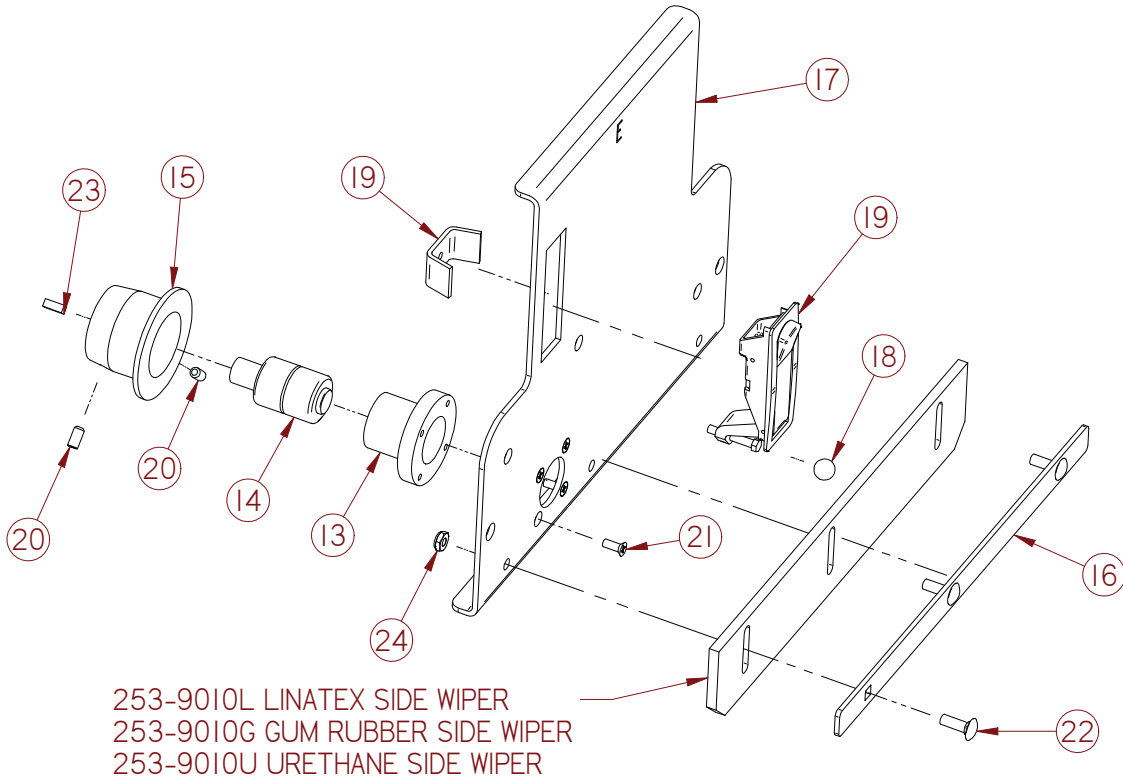
NOTE: SEE COMMON WEAR PARTS PAGE FOR BRUSH SELECTION.

CYLINDRICAL DOOR ASSEMBLY

"NEW STYLE" DOOR ASSEMBLY SERIAL #50000 & GREATER



"OLD STYLE" DOOR ASSEMBLY PRIOR TO SERIAL #50000



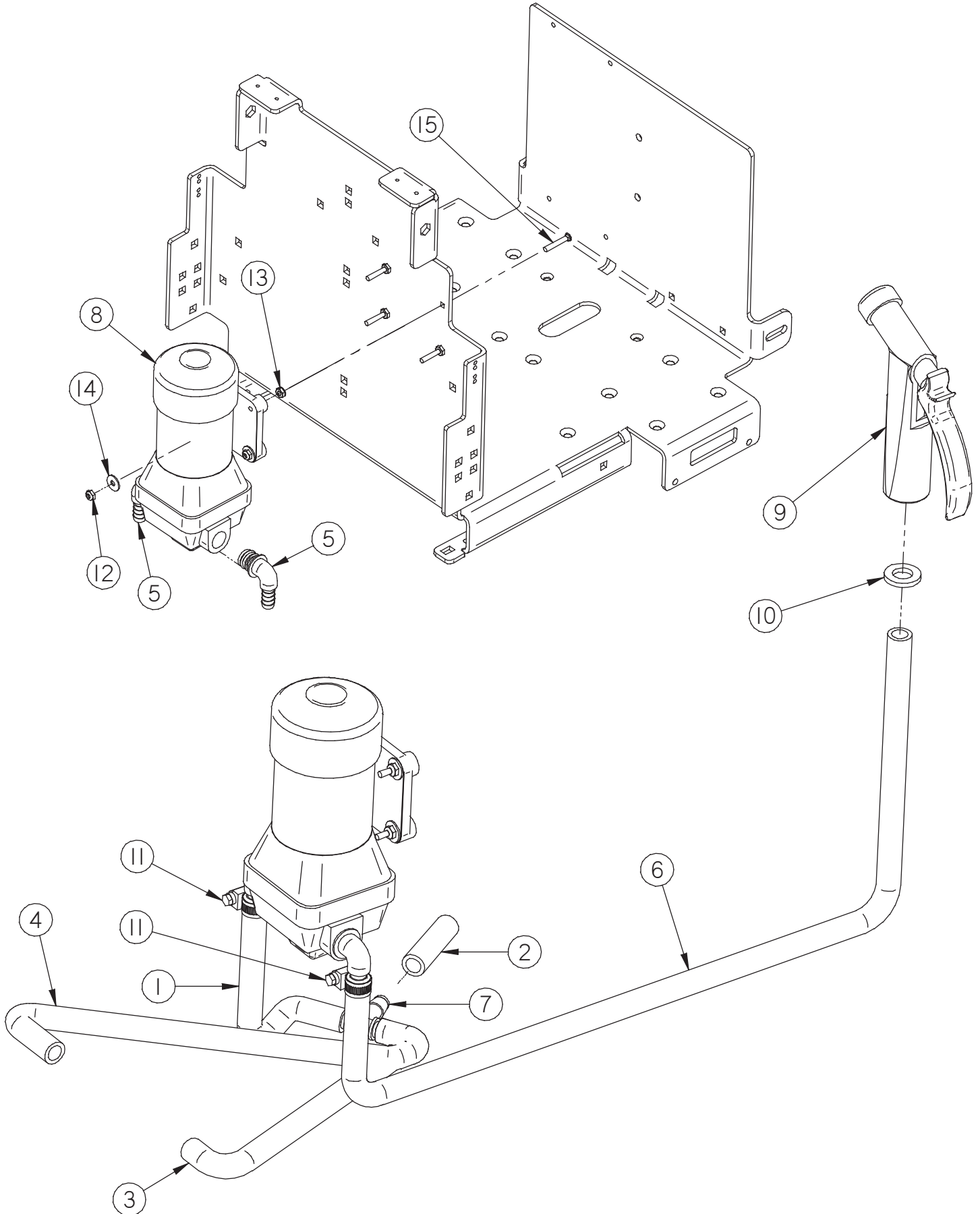
CYLINDRICAL DOOR ASSEMBLY

"NEW STYLE" DOOR ASSEMBLY SERIAL #50000 & GREATER

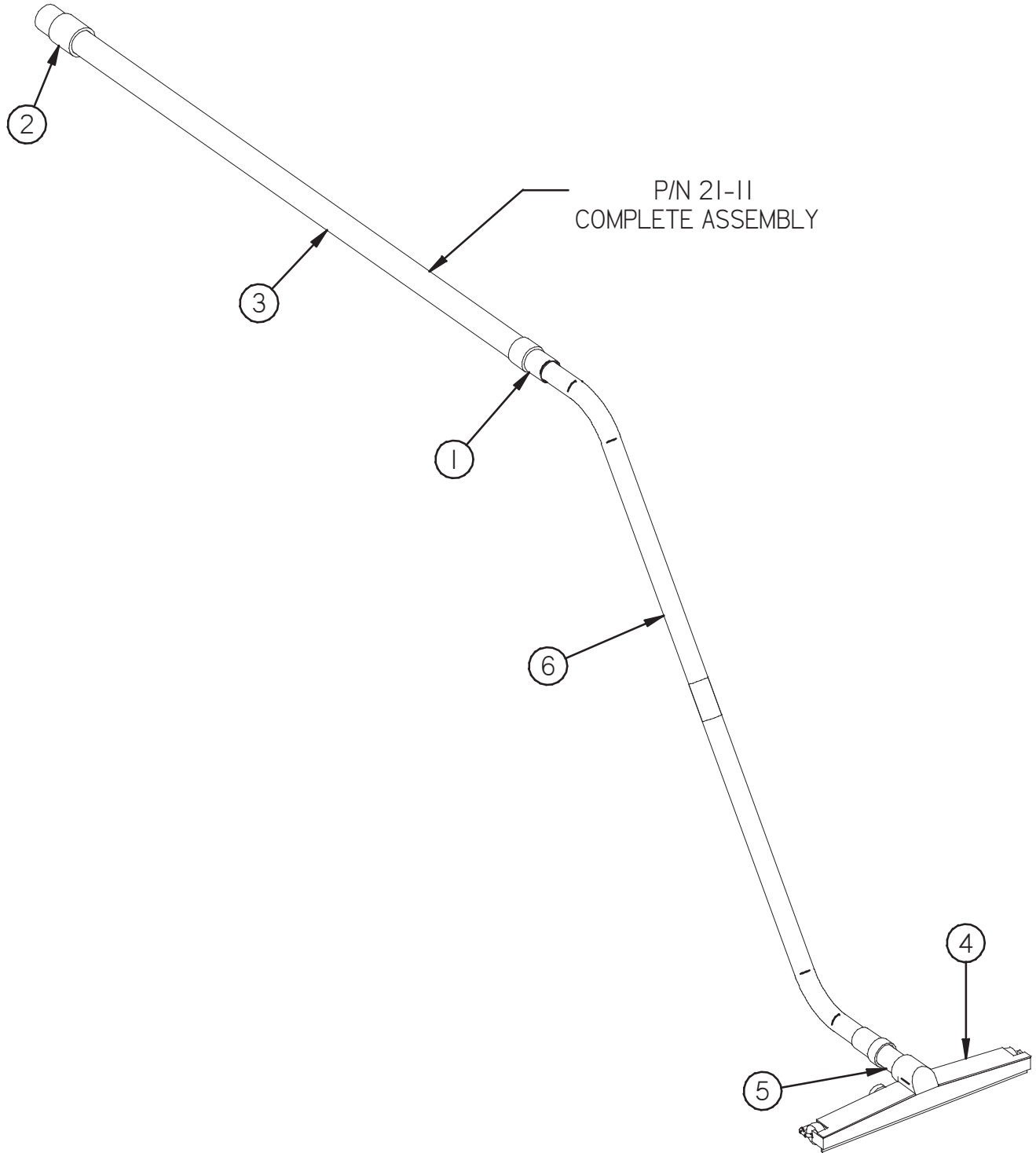
Item	Part Number	Part Description	Qty
1	253-9015	WIPER BAND	1
2	253-9022	DRIVE COVER	1
3	370-8241A	IDLER DRIVE BEARING	1
4	370-8370	BRUSH IDLER	1
5	5-100	GROMMET	1
6	5-130	DOOR LATCH	1
7	H-0171004	JNYL 3/8- 24 SS	1
8	H-0953152	3/16" X 3/4" KEY	1
9	H-71017	FW 3/8 ID X 7/8 OD SS	1
10	H-72682	FHP #10-32 X 1/2" SS	4
11	H-74419	CB 1/4"- 20 X .75" SS	3
12	H-NJ04C	JNYL 1/4" - 20 SS	3

"OLD STYLE" DOOR ASSEMBLY PRIOR TO SERIAL #50000

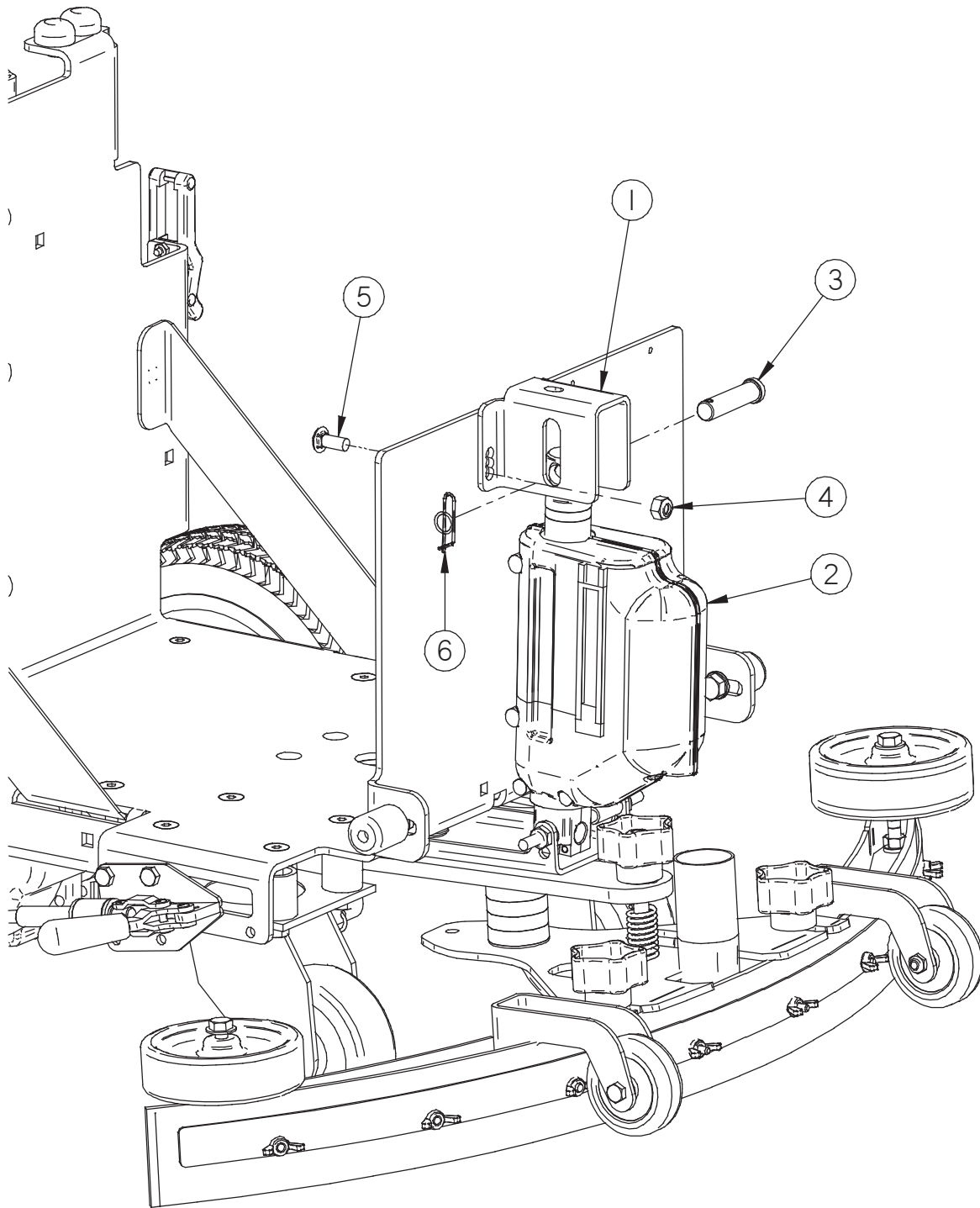
Item	Part Number	Part Description	Qty
13	1-305	BEARING HOUSING	1
14	253-8241	IDLER BEARING	1
15	253-8370	CYLINDRICAL BRUSH IDLER	1
16	253-9015	WIPER BAND	1
17	253-9022	DRIVE COVER	1
18	5-100	GROMMET	1
19	5-130	DOOR LATCH	1
20	H-25382	SETSCREW, KCP, 1/4"-20 X 1/2"	2
21	H-72682	FHP #10-32 X 1/2" SS	4
22	H-74419	CB 1/4"- 20 X .75" SS	3
23	H-K1432	3/16" X 1/2" KEY	1
24	H-NJ04C	JNYL 1/4" - 20 SS	3



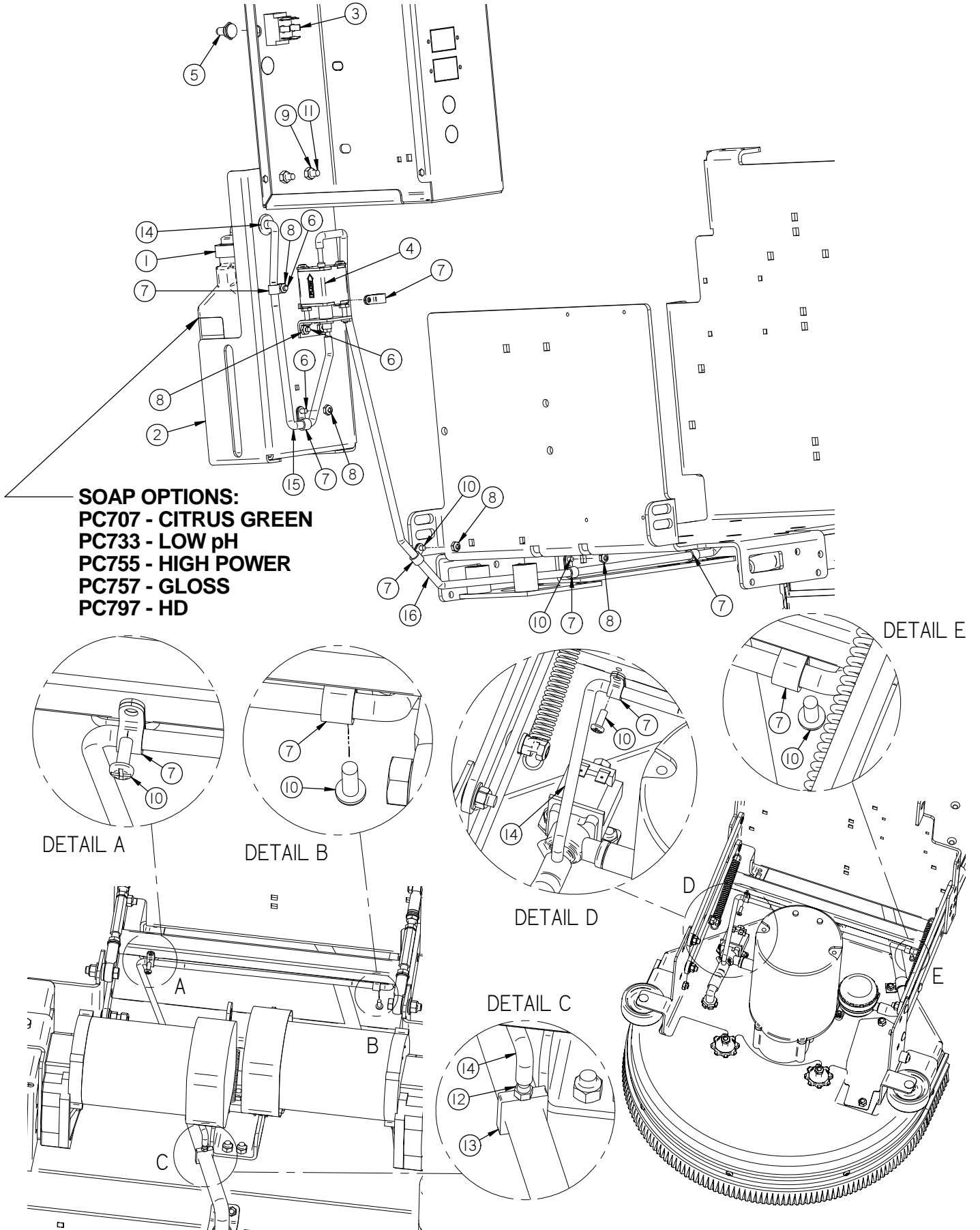
Item	Part Number	Part Description	Comments	Qty
1	170-1610	1/2" ID X 8-1/2" LG. WIRE REINF. CLEAR TUBE		1
2	170-1611	1/2" ID X 2-1/2" LG. WIRE REINF. CLEAR TUBE		1
3	170-1612	1/2" ID X 11" LG. WIRE REINF. CLEAR TUBE	Disk Machine's Only	1
4	170-1616	1/2" ID X 17" LG. WIRE REINF. CLEAR TUBE	Cylindrical Machine's Only	1
5	21-1601	1/2" BARBED ELBOW (PLASTIC)		2
6	253-8960	GARDEN HOSE, 10' LG		1
7	5-446	1/2 " PLASTIC BARB TEE		1
8	5-891	PUMP, WATER JET		1
9	5-895	SPRAY NOZZLE		1
10	H-0491686	.625 ID X 1.125 OD RUBBER WASHER		1
11	H-62005	HOSE CLAMP 5/8"- 1-1/2" SS		2
12	H-70858	NYLOK #10-32 SS		4
13	H-70923	KN #10-32 SS		4
14	H-71010	FW 3/16 x 11/16 OD SS		4
15	H-72522	CB #10-32 X 1-1/4" SS		4



Item	Part Number	Part Description	Qty
1	21-4072	HOSE CUFF, 1 1/2"	1
2	290-7212	1-1/2" - 2" HOSE CUFF	1
3	5-883	HOSE, VACUUM, 1-1/2" X 15', W/CUFFS	1
4	5-889	VACUUM NOZZLE	1
5	7-884	COUPLER, S/S	1
6	7-887	TWO PIECE CHROME VAC WAND	1



Item	Part Number	Part Description	Qty
1	253-1099	AUTO SQUEEGEE LIFT BRACKET	1
2	253-2240	2" STROKE 24V ACTUATOR 450 LB LOAD	1
3	H-0156771	CLEVIS PIN, 1/2" OD X 2" LG.	1
4	H-70861	NYLOK 5/16" - 18 SS	2
5	H-74429	CB 5/16"- 18 X 3/4" SS	2
6	H-RUE22	1/2" RUE RING COTTER	1



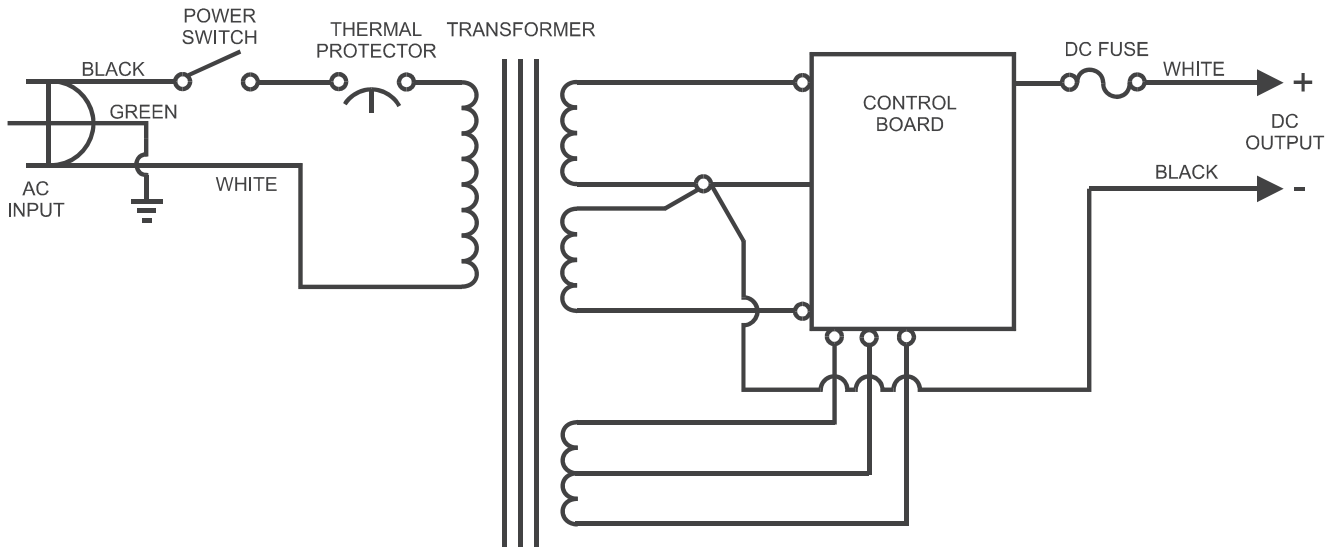
SOAP OPTIONS:
PC707 - CITRUS GREEN
PC733 - LOW pH
PC755 - HIGH POWER
PC757 - GLOSS
PC797 - HD

Item	Part Number	Part Description	Qty
1	253-0115	SOAPJUG CAP	1
2	253-1760	SOAP TRAY, SINGLE	1
3	253-283	SWITCH, TOGGLE, ON/OFF/ON (DPDT)	1
4	253-8500	SOAP PUMP, 24V	1
5	H-01198	PROTECTIVE BOOT, TOGGLE SWITCH, (GREEN)	1
6	H-0172518	CB #10-32 X 1/2" SS	5
7	H-02239	3/8" NYLON LOOP CLAMP	8
8	H-70858	NYLOK #10-32 SS	8
9	H-70860	NYLOK 1/4"- 20 SS	2
10	H-72515	PPH #10-32 X 1/2" S/S	5
11	H-74419	CB 1/4"- 20 X .75" SS	2
12	M-2974K369	NYLON BARBED TUBE FITTING, 3/16 ID X 1/16" NPT	1
13	M-5116K46	1/2" X 1/2" BARB	1
14	M-9307K23	GROMMET, RUBBER 3/8 ID X 7/8 OD X 1/8 TH.	1
15	T-018CR2000	3/16" ID X 20" LG. C.R. TUBE	1
16	T-018CR7200	3/16" ID X 72" LG. C.R. TUBE	1



170-2440 CHARGER PARTS LIST

WIRING DIAGRAM

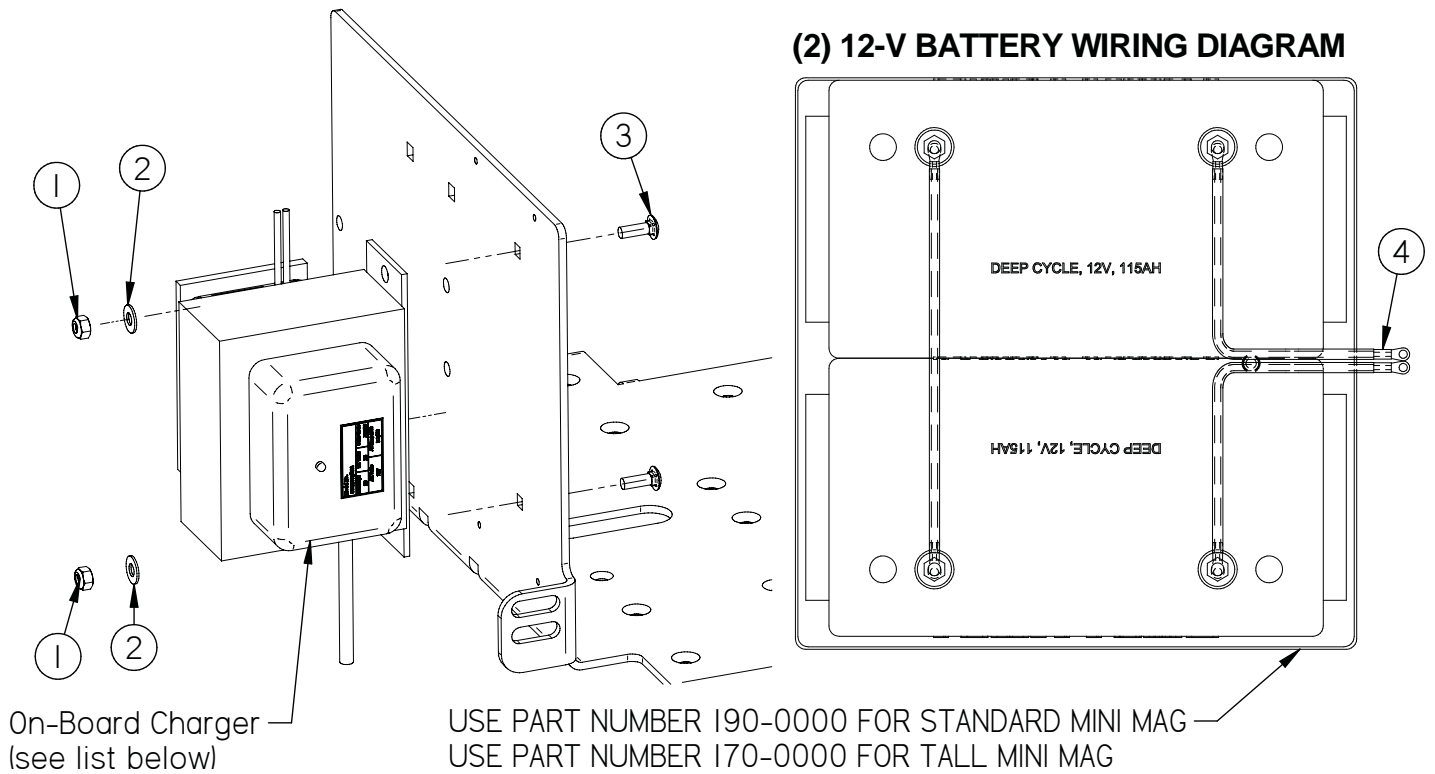


PARTS LIST FOR
 PART # 170-2440
 115 VAC / 60 HZ
 24 VDC - 12A

PART NO.	QTY.	DESCRIPTION
S/O	1	CASE ASSEMBLY
S/O	1	TRANSFORMER
170-2440S	1	POWER SWITCH
21-2449	1	BUSHING, STRAIN RELIEF, FOR CORDS
S/O	1	CORDSET, AC, 18/3, 102", W/ MOLDED PLUG
21-2451	1	CORDSET, DC, 14/2, 108", W/ SB50 RED PLUG
19630S	1	ELECTRONIC TIMER ASSEMBLY

BRUSH DRIVE BATTERY PACK SHOWN

(2) 12-V BATTERY WIRING DIAGRAM



Item	Part Number	Part Description	Qty
1	H-70860	NYLOK 1/4"- 20 SS	2
2	H-71013	FW 1/4 ID X 5/8 OD SS	2
3	H-74419	CB 1/4"- 20 X .75" SS	2
4	170-1900	WIRE HARNESS, COMPLETE	1

WHICH BATTERY CHARGER TO USE WITH BATTERY SELECTION				
Battery Part Number & Description	Off-Board Charger North American	Off-Board Charger Export	On-Board Charger North American	On-Board Charger Export
170-2110 (12V, 115 AH)	170-2440	170-2443	170-2450	170-2452
170-2111 (12V, 155 AH)	170-2440	170-2443	170-2450	170-2452
170-2120 (12V, 115 AH, M.F.)	170-2440	170-2443	170-2451	170-2453
170-2109 (12V, 130 AH)	170-2440	170-2443	170-2450	170-2452
270-2110 (12V, 225 AH)	21-2440	21-2442	N/A	N/A

Note: Japan & Korea are not included for list above.

BATTERY NOTE:

P/N 170-2110 IS STANDARD ON BRUSH DRIVE MACHINES.

P/N 170-2111 IS STANDARD ON TRACTION DRIVE & OPTIONAL ON BRUSH DRIVE MACHINES.

P/N 190-2271 IS OPTIONAL ON TRACTION DRIVE & BRUSH DRIVE MACHINES.

P/N 170-2109 IS OPTIONAL ON TRACTION DRIVE & BRUSH DRIVE MACHINES.

ROUND DISK BRUSHES:

BRUSHES	MODEL 17" DISK	MODEL 20" DISK	MODEL 23" DISK	MODEL 26" DISK	MODEL 28" DISK
Super Grit	17-421SS	20-421SS	23-421SS	13-421SS	14-421SS
Tough Grit	17-421S	20-421S	23-421S	13-421S	14-421S
Midi Grit	17-421C	20-421C	23-421C	13-421C	14-421C
Light Grit	17-421PS	20-421PS	23-421PS	13-421PS	14-421PS
Poly (.028)	17-421P	20-421P	23-421P	13-421P	14-421P
Nylon (.016)	17-421N	20-421N	23-421N	13-421N	14-421N
Tampico	17-421T	20-421T	23-421T	13-421T	14-421T
Pad Driver	17-421D	20-421D	23-421D	13-421D	14-421D
Diamond Driver	17-421DD	20-421DD	N / A	N / A	N / A
Pad Driver Pad Retainer #40-433					
Pad Driver Spring Clip #40-423					

ROUND DISK PADS:

NOTICE

The ## in Disk Column Denotes Desk Pad Size: 13", 15" or 17"

DISK PADS	DISK	LEVEL	COLOR
Super Black	##-422BB	Very High	Black
Black	##-422B	High	Black
Brown	##-422BR	High	Brown
Green	##-422G	Medium	Green
Blue	##-422BL	Moderate	Blue
Red	##-422R	Moderate	Red
White	##-422W	Light	White

EDGE / ORBITZ PADS AND SCREENS:

DESCRIPTION	28"×14" SCRUBDECK	24"×14" SCRUBDECK	20"×14" SCRUBDECK	13"×19"
White Pad	EDGE-4054	N / A	EDGE-4005	N/A
Red Pad	EDGE-4053	EDGE-2404	EDGE-4004	N/A
Blue Pad	EDGE-4052	EDGE-2403	EDGE-4003	N/A
Green Pad	EDGE-4051	EDGE-2402	EDGE-4002	N/A
Black Pad	EDGE-4050	EDGE-2401	EDGE-4001	N/A
White Driver Pad	EDGE-4058	N / A	EDGE-4025	EDGE-4019
60 Grit Sand Screen	EDGE-4059	N / A	EDGE-4026	EDGE-4020
80 Grit Sand Screen	EDGE-4060	N / A	EDGE-4027	EDGE-4021
100 Grit Sand Screen	EDGE-4061	N / A	EDGE-4028	EDGE-4022
120 Grit Sand Screen	EDGE-4062	N / A	EDGE-4029	EDGE-4023
150 Grit Sand Screen	EDGE-4063	N / A	EDGE-4030	EDGE-4024
20 Grit Sand Paper	N / A	N / A	EDGE-4031	N/A

36 Grit Sand Paper	N / A	N / A	EDGE-4032	N/A
60 Grit Sand Paper	N / A	N / A	EDGE-4033	N/A
80 Grit Sand Paper	N / A	N / A	EDGE-4034	N/A
100 Grit Sand Paper	N / A	N / A	EDGE-4035	N/A
100 Grit Diamond Polishing Pad	N / A	N / A	EDGE-4012	N/A
400 Grit Diamond Polishing Pad	N / A	N / A	EDGE-4013	N/A
800 Grit Diamond Polishing Pad	N / A	N / A	EDGE-4014	N/A
1500 Grit Diamond Polishing Pad	N / A	N / A	EDGE-4015	N/A
3000 Grit Diamond Polishing Pad	N / A	N / A	EDGE-4016	N/A
6000 Grit Diamond Polishing Pad	N / A	N / A	EDGE-4070	N/A
Tile/Grout Renovator Pad	EDGE-4048	N / A	EDGE-4018	N/A
Microfiber Pad	N / A	N / A	EDGE-4036	N/A
Abrader Plate	N / A	N / A	N/A	EDGE-4011
Dominator HD Strip Pad	EDGE-4055	N / A	EDGE-4006	N/A
Maroon ECO Prep Pad	EDGE-4056	EDGE-2407	EDGE-4007	N/A
Remover Burnishing Pad	EDGE-4057	N / A	EDGE-4008	N/A
Porko Burnishing Pad	EDGE-4047	N / A	EDGE-4017	N/A
Velcro Pad	300-4024	N / A	300-4023	N/A

NEW STYLE CYLINDRICAL BRUSHES:

For Machine Serial #50000 & Greater

BRUSHES	MODEL 24" CYLINDRICAL
Super Grit	N / A
Tough Grit	225-821S
Midi Grit	225-821C
Light Grit	225-821PS
Poly (.028)	N / A
Nylon (.016)	225-821N

OLD STYLE CYLINDRICAL BRUSHES:

For Machines Prior To Serial #50000

BRUSHES	MODEL 24" CYLINDRICAL
Super Grit	N / A
Tough Grit	22-521S
Midi Grit	22-521C
Light Grit	22-521PS
Poly (.028)	N / A
Nylon (.016)	22-521N

EDGE / ORBITZ GRIP FACE:

DESCRIPTION	PART#
20" Velcro Grip Face	300-1037
24" Velcro Grip Face	300-1038
28" Velcro Grip Face	300-1039
20" Mighty Lok Grip Face	300-01037Z
28" Mighty Lok Grip Face	300-01037Z

SQUEEGEE BLADE KITS & SQUEEGEE ASSEMBLIES:

SQUEEGEE SIZE	17" - 26" DECKS	28" DECKS
32" Squeegee	Standard	Optional
35" Squeegee	Optional	Standard

SQUEEGEE SIZE	GUM RUBBER BLADE KIT	LINATEX BLADE KIT	URETHANE BLADE KIT	COMPLETE SQUEEGEE ASSEMBLIES
32" Squeegee	22-770G	22-770L	22-770U	23-7180
35" Squeegee	25-770G	25-770L	25-770U	25-7180

SQUEEGEE MATERIAL:	USED FOR:
LINATEX	Provides best wear and tear resistant. Not designed for use with chemicals.
URETHANE	Provides best resistance when dealing with harsh chemicals, oils, fuels, etc.
GUM	Provides best drying performance on rough/grouted floor types by sealing over irregularities.

NOTICE

Squeegee blade kits include (1) Rear Blade, (1) Front Blade, and (2) Backup Wheels with hardware.

NOTICE

Squeegee Assemblies (complete) listed above all come with Linatex blades.

NOTICE

Size is stamped into the top of the painted steel squeegee body on all squeegee's.

NOTICE

The 32" squeegee is designed for narrow aisles and may not have the same water control around tight turns as the large squeegees.

MiniMag Suggested Parts Inventory

Quantity	Part #	Description
1	22-770G	Squeegee Rebuild Kit 32" Gum
1	22-770L	Squeegee Rebuild Kit 32" Linatex
1	25-770G	Squeegee Rebuild Kit 35" Gum
1	25-770L	Squeegee Rebuild Kit 35" Linatex
2	5-760	Squeegee Side Roller Wheels
2	H-70065	Side Roller Wheel Bolt
1	21-4500	Solution Solenoid
1	190-5250	Vacuum Motor
1	190-3002	Vacuum Motor Gasket
1	8-231	Main Power Switch
1	190-1410	Recovery Lid Assembly
1	170-1070	Tank Lid Gasket
1	7-229	Pushbutton Switch
1	7-292	Rheostat, Speed Setting 5k
1	7-283	DPDT Toggle Switch
1	290-2891	LCD
2	290-2815	Circuit Breaker
2	21-5000	Brush Driver
1	21-4085	Vac Screen
1	21-4028	Snap Grip Clamp 2-1/8" - 2-3/8", Nylon
1	190-1450	Vacuum Saver
1	170-1505	Loader Valve
2	253-0111	Squeegee Hose
2	170-7211	Drain Hose Cap
2	170-7210	Drain Hose
2	190-3035	Casters
1	170-2014	MiniMag BD Control Panel Sticker
1	170-2013	MiniMag HD Control Panel Sticker
2	21-3060	Front Tire Grey
2	21-3010	Front Tire Black Solid
1	5-913	Solution Filter
1	21-4510	Solution Knob
1	21-4520	Speed Knob
2	4-124	Tank Lid Latch
1	170-7890	Squeegee Cable BD
1	170-7895	Squeegee Cable TD
2	290-5786	Squeegee Knobs
1	H-01196	Switch Cover - Red
1	H-01200	Switch Cover - Black
1	21-7101	Squeegee Lift Knob
1	5-293	Hella Relay
1	5-223	Vac Switch
1	170-2441	On-Board Charger
1	253-3444	Charger Cord

BLANK

THIS PAGE WAS INTENTIONALLY LEFT BLANK

BLANK

THIS PAGE WAS INTENTIONALLY LEFT BLANK



1711 South Street
Racine, WI 53404
www.rpscorporation.com
Tel. US: 800-634-4060
Tel. Int: (001) 262-681-3583