

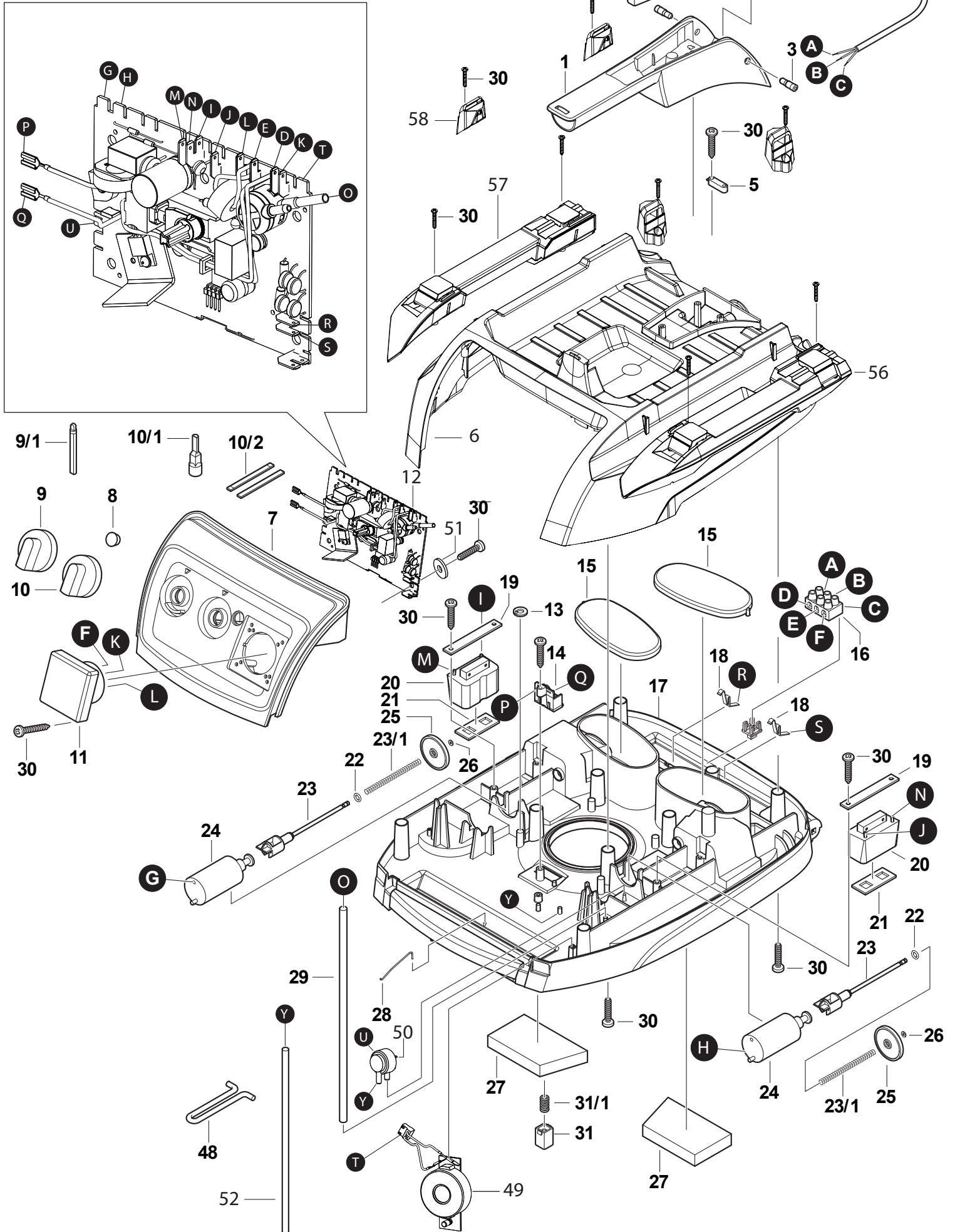
| | |
|---|----------|
| A-Industriesauger iPulse L-1635 Premium | (018652) |
| B-Industriesauger iPulse L-1635 Top | (018621) |
| C-Industriesauger iPulse M-1635 Safe Plus | (018638) |
| D-Industriesauger iPulse H-1635 Safe Plus | (018614) |
| E-Industriesauger iPulse H-1235 Asbest Safe Plus | (018645) |
| F-Industriesauger iPulse L-1635 Basic | (018539) |
| G-Industriesauger iPulse M-1635 Safe | (018935) |
| H-Industriesauger iPulse L-1435 Basic | (019581) |
| I-Industriesauger iPulse L-1635 | (019598) |
| J-Industriesauger iPulse L-1635 Premium | (018980) |
| K-Industriesauger iPulse L-1435 Top | (019208) |
| L-Industriesauger iPulse L-1635 Top (CH) | (018973) |
| M-Industriesauger iPulse M-1635 Safe Plus (DK) | (018997) |
| N-Industriesauger iPulse H-1635 Safe Plus (DK) | (019673) |
| O-Industriesauger iPulse L-1635 (NZ) | (019192) |
| P-Industriesauger iPulse L-1635 Top (NZ) | (019215) |
| Q-Industriesauger iPulse M-1635 Safe Plus (NZ) | (019864) |
| R-Industriesauger iPulse L-1635 Basic (CH) | (019970) |
| S-Industriesauger iPulse H-1235 Asbest Safe Plus (CH) | (019987) |

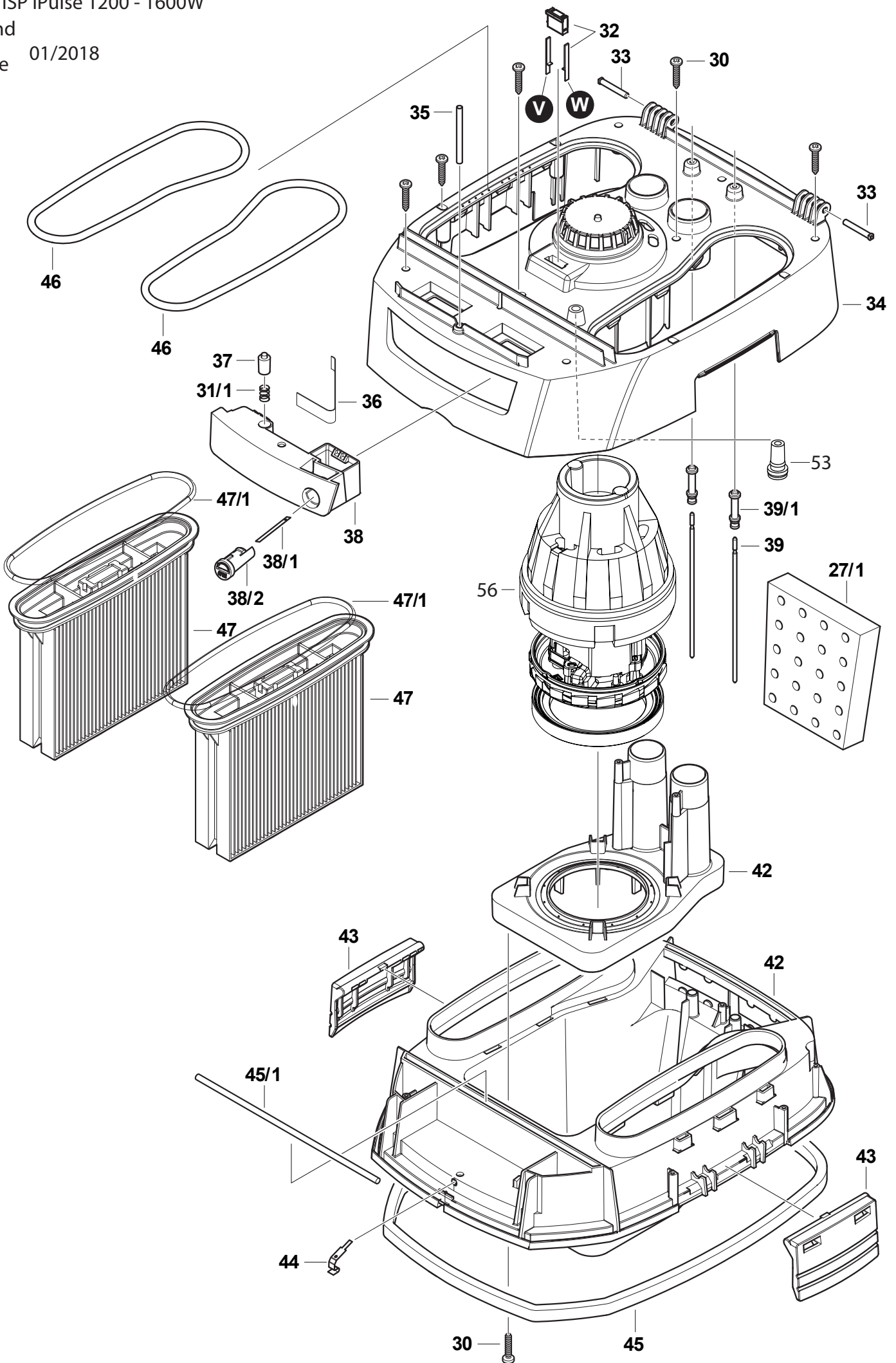
| Pos.-Nr. Item-No. | Benennung Name | | Typ Typ | Bestell-Nr. Part-No. | PG PG |
|-------------------------------|-----------------------------|----------------------------------|-------------------------|-------------------------|----------|
| 01+02+03 | Set Griff | Set handle | A-S | 407937 | 12 |
| 04+05+16+30 | Set Anschlussleitung | Set power cord | A/B/F/H/I | 444666 | 22 |
| 04+05+16+30 | Set Anschlussleitung | Set power cord | C/D/E/G/J | 444819 | 23 |
| 04+05+16+30 | Set Anschlussleitung | Set power cord | K | 445083 | 22 |
| 04+05+16+30 | Set Anschlussleitung (CH) | Set power cord (CH) | L/R | 445687 | 22 |
| 04+05+16+30 | Set Anschlussleitung (DK) | Set power cord (DK) | M/N | 445694 | 24 |
| 04+05+16+30 | Set Anschlussleitung (NZ) | Set power cord (NZ) | O/P/Q | 445991 | 25 |
| 04+05+16+30 | Set Anschlussleitung (CH) | Set power cord (CH) | S | 446103 | 22 |
| 06 | Deckel Ersatz | cover housing spare | A-S | 444673 | 25 |
| 56+57+30 | Set Reiling | Set railing | A-E/I-Q/S | 445106 | 22 |
| 58+30 | Set Multifunktionshalter | Set multifunctional holder | F/G/H/R | 444697 | 14 |
| 07+08 | Set Frontplatte | Set front plate | A-S | 444703 | 17 |
| 09+10+9/1+ 10/1+10/2 | Set Schaltknebel | Set switch knob | A-S | 444710 | 16 |
| 11+30 | Set Maschinensteckdose | Set power tool plug socket | A-K | 444727 | 16 |
| 11+30 | Set Maschinensteckdose (CH) | Set power tool plug socket (CH) | L/R/S | 445717 | 22 |
| 11+30 | Set Maschinensteckdose (DK) | Set power tool plug socket (DK) | M/N | 445700 | 21 |
| 11+30 | Set Maschinensteckdose (NZ) | Set power tool lpug socket (NZ) | O/P/Q | 445984 | 28 |
| 12+29+30+ 50+51+52 | Set Elektronik L | Set electronic L | A/B/F/H-L/O/P/R | 444734 | 37 |
| 12+29+30+ 50+51+52 | Set Elektronik M/H | Set electronic M/H | C/D/E/G/M/N/Q/S | 444741 | 37 |
| 14 | Set Motorsteckdose | Set motor plug socket | A-S | 417707 | 06 |
| 17 | Trägerplatte Ersatz | carrier plate spare | A-S | 444758 | 26 |
| 18+28+44 | Set Kontakt Teile | Set contact parts | A-S | 444765 | 09 |
| 19+20+21+30 | Set Rüttler | Set vibrating magnet | A-S | 444772 | 24 |
| 15+22+23+23/1+25 +26 | Set Kupplung | Set coupling | A-S | 444789 | 13 |
| 24 | Zugmagnet Ersatz | pull magnet spare | A-S | 444796 | 19 |
| 27+27/1 | Set Motorschutzfilter | Set motor protection filter | A-S | 408200 | 12 |
| 30 | Set Spax-Schraube (35x) | Set spax screw (35x) | A-S | 441856 | 09 |
| 31+31/1+48+30 | Set Druckstück+Abstützung | Set pressure piece+brace support | A-S | 444826 | 12 |
| 31/1+35+36+37 38+38/1+38/2 | Set Riegel | Set bolt | A-S | 444833 | 15 |
| 32 | Set Motorstecker | Set motor plug connector | A-S | 441870 | 10 |
| 33 | Set Lagerbolzen | Set bearing pin | A-S | 441887 | 10 |
| 34 | Motorgehäuse Ersatz | motor housing spare | A-S | 444802 | 23 |
| 39+39/1 | 2xElektrode+2xKlemmhülse | 2xelectrode + 2xclamping piece | A-S | 441900 | 09 |
| 42+30 | Set Unterteil | Set lower housing | A-S | 444932 | 27 |
| 43 | 2xVerschluss | 2x closing latch | A-S | 408293 | 12 |
| 45+45/1+46+53 | Set Dichtungen | Set sealings | A-S | 444680 | 14 |
| 47+47/1 | Faltenfilter Polyester | Filter cartridge polyester | A/B/C/F/G- M/O/P/Q/R | 416069 | 36 |
| 47+47/1 | Faltenfilter HEPA | Filter cartridge HEPA | D/E/N/S | 419190 | 44 |
| 56 | Set Motorgebläse 1200W | Set motor 1200W | E/H/K/S | 444901 | 40 |
| 56 | Set Motorgebläse 1400W | Set motor 1400W | A-D/F/G/I/J/L-R | 444918 | 41 |
| 49 | Set Hupe | Set signal horn | C-E/G/M-N/Q/S | 444840 | 18 |
| 00 | Set Aufkleber iPulse/L/M | Set iPulse/L/M label | | 444857 | 11 |
| 00 | Aufkleber Asbest Ersatz | Asbest label spare | E/S | 444864 | 13 |
| 00 | Aufkleber "H" Ersatz | "H" label spare | D/E/N/S | 444871 | 13 |

| Behälter 35 L | | | | | |
|-----------------------|----------------------------|--------------------------------|-----|--------|----|
| 01+02+03+04+05+ 06 | Set Behälter 35L | Set container 35L | A-S | 444888 | 40 |
| 02+03+04+05 | Set Räder | Set wheels | A-S | 444895 | 21 |
| 06 | 2xLenkrolle | 2x caster wheel | A-S | 441832 | 15 |
| 08+08/1+08/2 | Abläss-Set | Drain set | A-S | 408958 | 15 |
| 95 | Zubehöraufnahme Ersatz | Accessory holder spare | A-S | 445113 | 16 |
| 54+55 | Set Fahrbügel+Federstecker | Pushing handle+fastener spring | A-S | 445137 | 26 |

Typ ISP iPulse 1200 - 1600W

Stand 07-17
Issue





Typ ISP iPulse 1200 - 1600W

Stand 07 - 17
Issue

