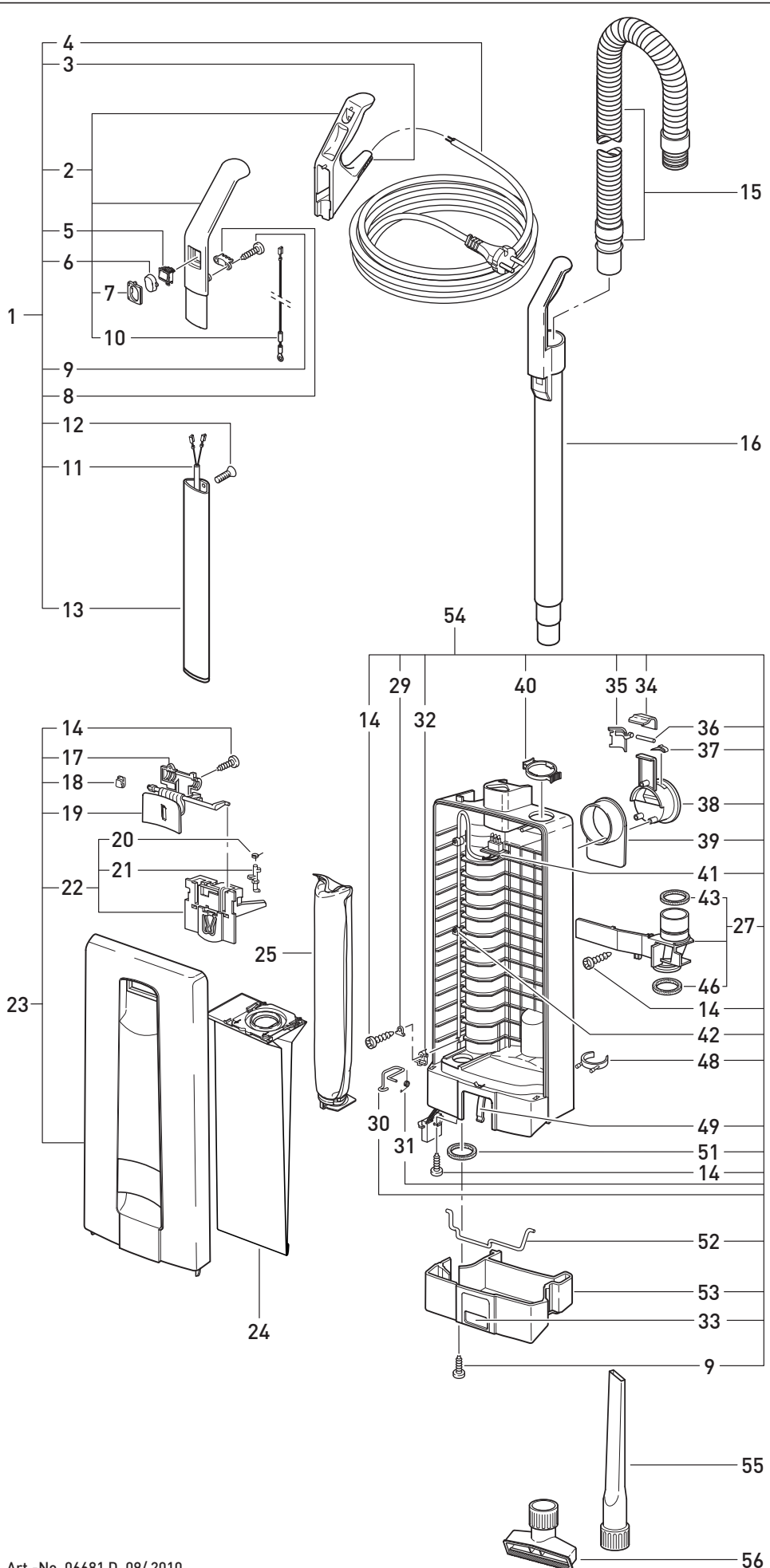


This information intended for Europe
(230 V / 240 V) only
and does not apply to North America !



SEBO AUTOMATIC XP 2

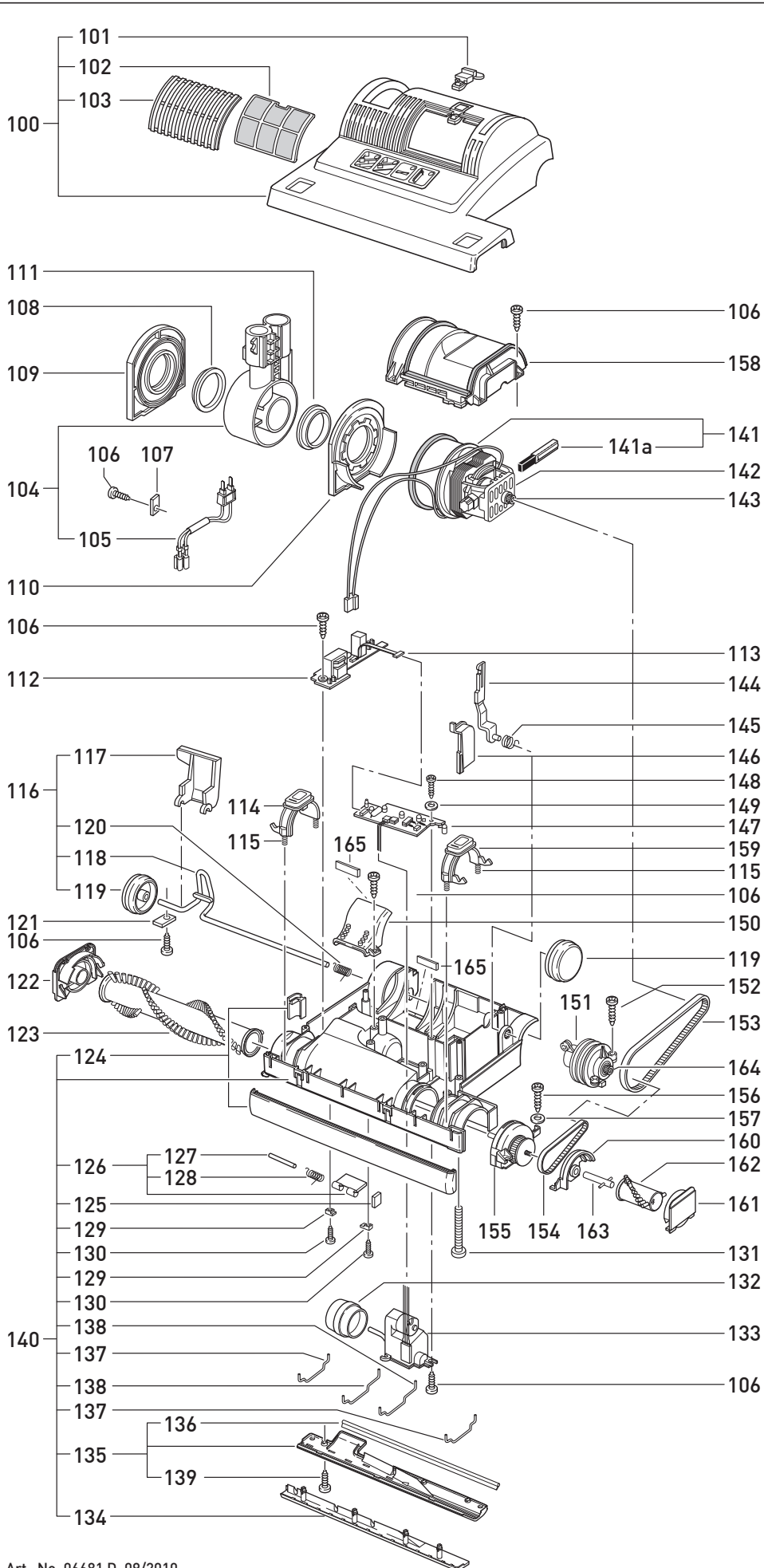


Pos.	Art.-No.	Description (ENG)
1	5626 hg	Handle compl. X, light-grey/dark-green (CH)
1	5626 tk	Handle compl. X, light-grey/green (CH)
1	5628 bl	Handle compl. X2 / X3, blue (D)
1	5628 hg	Handle compl., light-grey/dark-green (D)
1	5628 tk	Handle compl. X2 / X3, light-grey/green (D)
2	5296 ES	Handle grip X grey, compl.
3	5359 HE	Grommet, 10 PCS, light grey
4	5260 dg	Cable with Contour plug (EU)
4	5351 dg	Cable with CH-plug (10M)
5	05113	Switch
6	5160 bl	Switch cap, blue
6	5160 dg	Switch cap, dark grey
6	5160 tk	Switch cap, green
7	5161 hg	Switch cap holder
8	5162	Cable clamp
9	0103 ER	Screw C 3,9x16
10	5253-1	Wire-antistatic
11	5216 ER	Handle cable
12	0129 ER	Screw M 4x12
13	5187	Handle tube, 345 mm
14	0102 ER	Screw F 3,9x13
15	5040 hg	Hose, compl.
16	5045 hg	Extension tube, compl.
17	5803 hg	Cover
18	5319	Bag holder spring
19	5706 bl	Cover release, blue
19	5706 dg	Cover release, dark grey
19	5706 tk	Cover release, green
20	5091	Safety catch spring
21	5360	Safety catch
22	5324	Bag holder compl.
23	5800 SE	Front cover compl. light-grey/green
23	5805 SE	Front cover compl. light-grey/dark-grey
23	5808 SE	Front cover compl. light-grey/blue
24	5093 N	Dust bag /Pack 1 pcs.
25	5036 ER	Micro hygiene filter
27	5380 HG	Internal cover compl.
29	1073	Clamp
30	5208	Filter safety catch
31	5210	Return spring
32	5164	Cable clamp
33	5082 bl	Dust bag housing locking, blue
33	5082 dg	Dust bag housing locking, dark-grey
33	5082 tk	Dust bag housing locking, green
34	5098 hg	Lock catch
35	5099	Handle lock plate
36	0187	Lock pin 4h9x33,5 ST
37	5146	Stop spring
38	5145 hg	Carrying handle
39	5144 hg	Cable hook
40	5424 dg	Retaining ring
41	5217 ER	Internal cable
42	5266	Cable clamp
43	5842	Seal 54x44x6
46	5289	Seal
48	1823 hg	Attachment clip
49	5084	Spring for locking rod
51	5163	Seal
52	5083	Locking rod
53	5085 hg	Dust bag housing bumper base
54	5184 bl	Dust bag housing compl. blue
54	5184 hg	Dust bag housing compl. light grey
54	5184 tk	Dust bag housing compl. green
55	1092 JE	Crevice nozzle/L-grey
56	1491 JE	Upholstery nozzle

This information intended for Europe
(230 V / 240 V) only
and does not apply to North America !



SEBO AUTOMATIC XP 2



Pos.	Art.-No.	Description (ENG)
100	5492 SE	Power head cover, compl. dark-grey
100	5496 SE	Power head cover, cpl. green
100	5497 SE	Power head cover, cpl. blue
101	5008 bl	Exhaust filter catch, blue
101	5008 dg	Exhaust filter catch, dark-grey
101	5008 tk	Exhaust filter catch, green
102	5143	Exhaust filter
103	5007 bl	Exhaust filter cover, blue
103	5007 dg	Exhaust filter cover, dark-grey
103	5007 tk	Exhaust filter cover, green
104	5729 hg	Swivel neck assembly, cpl.
105	5176	Male contact holder, cpl.
106	0102 ER	Screw F 3,9x13
107	2494	Cable clamp
108	5101	Swivel neck bearing r.h.
109	5178	Swivel neck support r.h.
110	5728	Swivel neck support l.h.
111	5717	Swivel neck bearing l.h.
112	5193 ER	PCB 12V power supply
113	5205	Ribbon cable
114	5102 bl	Brush roller release, blue
114	5102 dg	Brush roller release, dark-grey
114	5102 tk	Brush roller release, green
115	5103	Spring 0,6x5x22
116	5051 hg	Axle assembly cpl.
117	5059 or	Foot pedal
118	5053	Axle
119	5819 hg	Wheel, cpl.
120	2010	Axle spring
121	2014 ER	Axle clamp, 10 pcs.
122	5031 hg	Bearing block r.h.,dk/light-grey
122	5031 tk	Bearing block r.h., green
122	5287 bl	Bearing block r.h., blue
123	5290 ER	Brush roller set X2
124	5230 hg	Bumper, set X2
125	5155 hg	Rubbing plate
126	5172 OR	Access door cpl.
127	5303	Access door axle
128	5304	Access door spring
129	5154 hg	Hinge
130	0100 ER	Screw C 2,9x9,5
131	0176 ER	Screw AM 4x30
132	5174 hg	Pile adjustment wheel, cpl.
133	5060 ER	Servo motor with gear box, cpl.
134	5413 hg	Front bottom plate X2, cpl.
135	5414 hg	Rear bottom plate X2, cpl.
136	5400-2	Sealing strip
137	5401	Wire tie
138	5402	Wire tie
139	0197 ER	Screw M4x12 Z1
140	5321 hg	Chassis XP2, compl.
141	5470	Vacuum motor 230V/1000W
141a	05118 S	Carbon brush set
142	5100	Rubber mounting
143	5462	Motor pulley 2MR
144	5129	Support lever
145	5107-1	Support spring
146	5112 sw	Motor pulley cover
147	5740 ER	Computer controller
148	0107 ER	Screw C 2,9x13
149	0143 ER	Washer 3,2 DIN 125
150	5173 sw	Suction duct access cover
151	5465	Sensor XP2, (with red ring) cpl.
152	0104 ER	Screw C 3,9x25
153	5463	Belt 2MR-310-6
154	5110	Belt 219 3M HTDII-6
155	5767 hg	Bearing block l.h., cpl.
156	0103 ER	Screw C 3,9x16
157	0141 ER	Locking washer TN 451003
158	5018 UL	Motor cover compl.
159	5239 bl	Brush roller release, blue
159	5239 dg	Brush roller release, dark-grey
159	5239 tk	Brush roller release, green
160	5244 hg	Seal bearing
161	5249 dg	Brush cover compl., dark-grey
161	5249 tk	Brush cover compl., green
161	5288 bl	Brush cover compl., blue
162	5250	Edge brush
163	5246	Shaft extension, compl.
164	5117/1	Sensor pulley
165	5108	Felt strip