

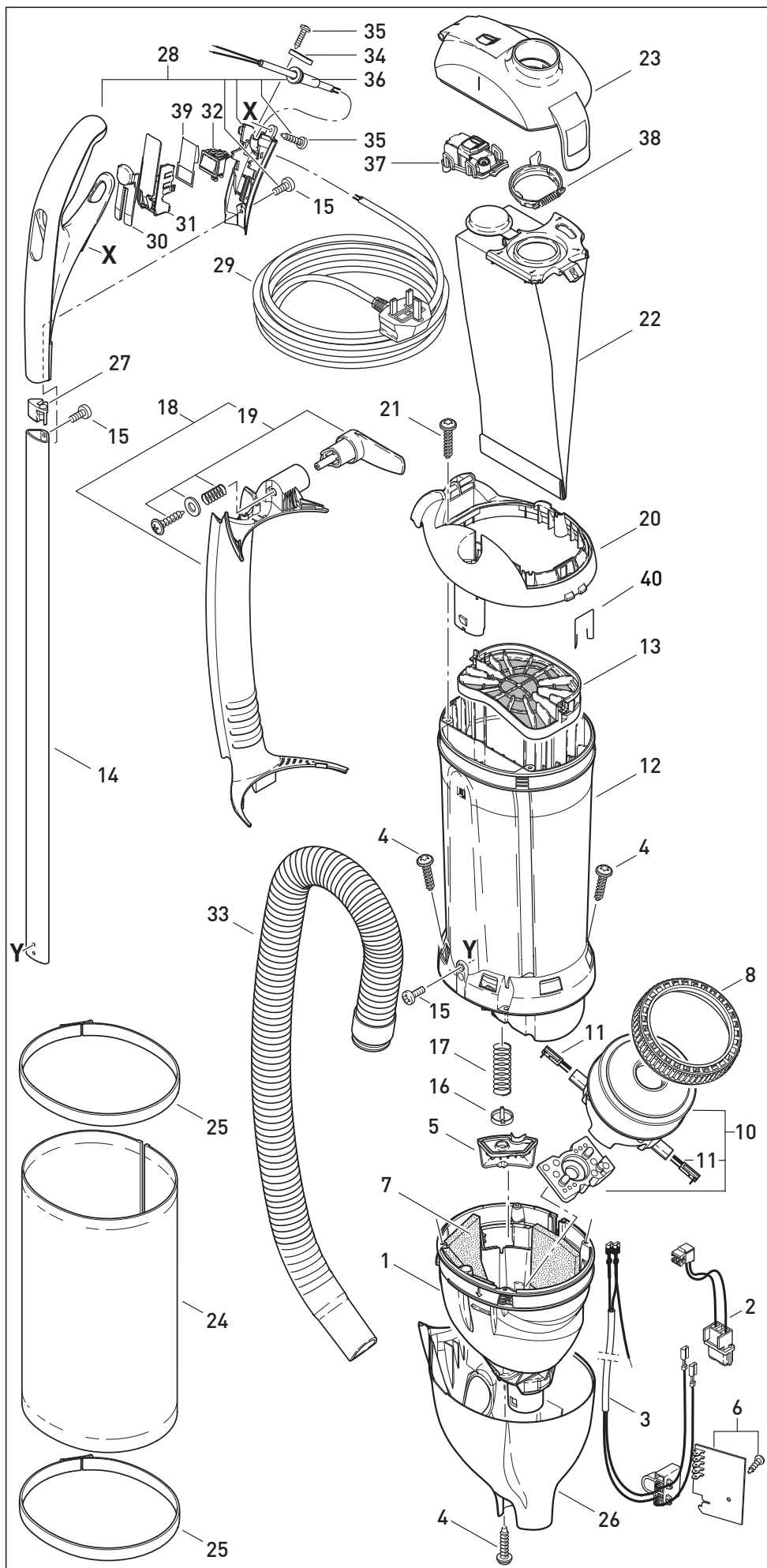
This information intended only for Europe (230 V / 240 V) and does not apply to North America !

SPARE PARTS LIST



MADE IN GERMANY

SEBO DART 1



Pos.	Product-Code	Description
1	7002 DG	Air duct
2	7064	Internal wiring ET
3	7070	Internal cable
4	01016ER	Screw STS 4x16-T20
5	7057 hg	Valve cover
6	7105 ER	Printed circuit board 230-240V
7	7098	Sound insulation
8	1047	VAC motor seal
10	7043 ER	VAC motor 230-240V
11	05143 S	Pair of carbon brushes
12	7143 ER	Dust bag housing
13	7012	Motor filter
14	7080 ER	Handle tube, 660 mm
15	0127 ER	Screw M 4x10K
16	7025	Valve disc
17	7028	Valve spring
18	7090 dg	Hose duct
19	7027 DG	Cable hook
20	7092 hg	Cover, Dust bag housing
21	01017ER	Screw STS 4x20-T20
22	7029	Dust bag
23	7091 hg	Filter cover
24	7015ER02	Exhaust filter
25	7017 dg	Exhaust filter clamp
26	7169 SE	Lower housing
27	7076 hg	Tube plug
28	7163 HG	Handle grip, cpl.
29	7129 dg	Cable with GB-plug
30	7035 dg	Sliding button
31	7073 hg	Handle frame
32	05138	Rocker switch, 2-pol.
33	7050 sb	Hose duct
34	1030 UL	Cable clamp
35	0103 ER	Screw C 3,9x16
36	1035 dg	Cable grommet
37	7094 ER	Filterindicator, cpl.
38	7018 OR	Retaining ring cpl.
39	7142	Protection film
40	7024	Spring

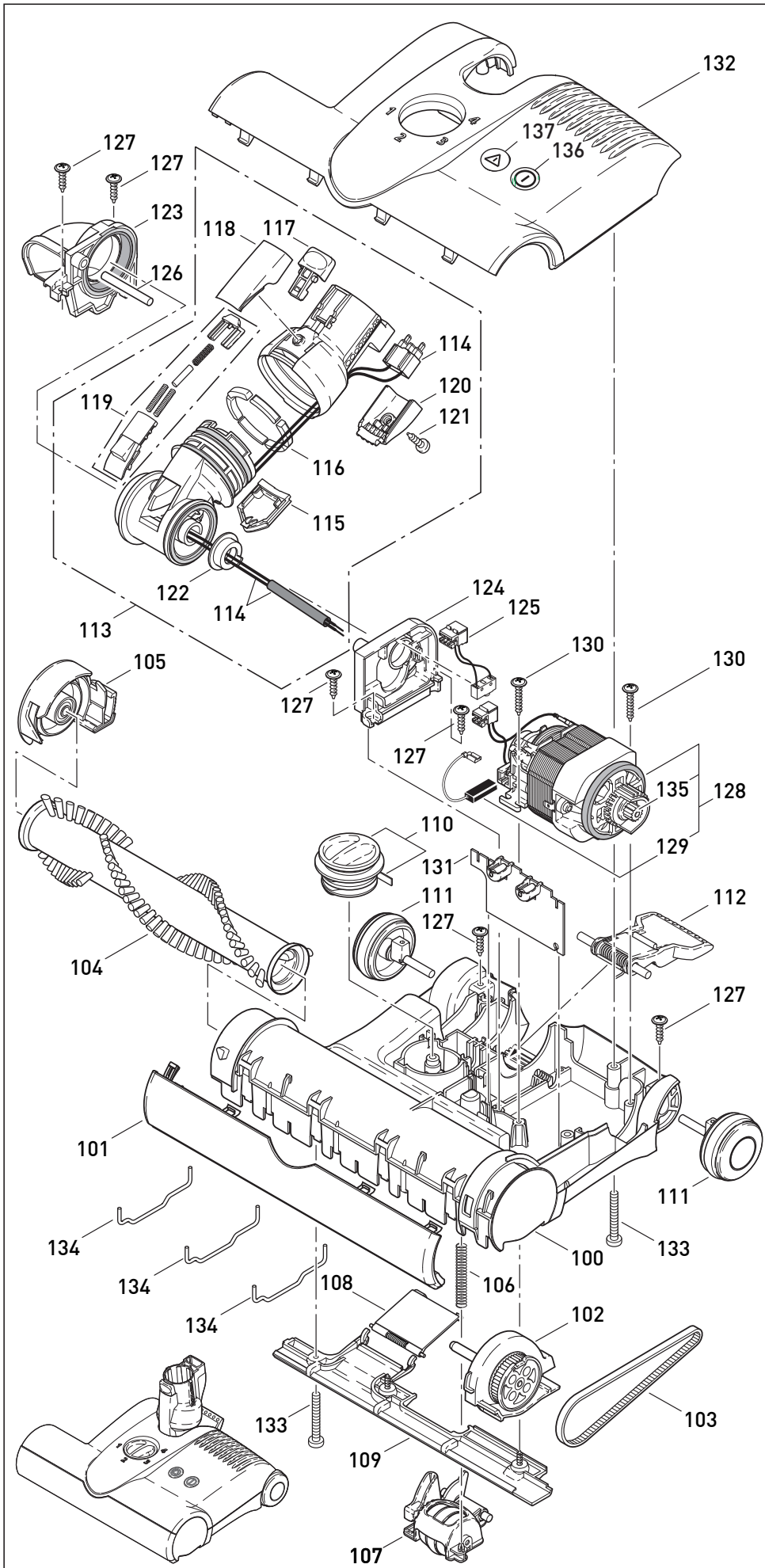
This information intended only for Europe (230 V / 240 V) and does not apply to North America !

SPARE PARTS LIST



SEBO DART 1

MADE IN GERMANY



Pos.	Product-Code	Description
100	2324 dg	Chassis ET1
101	2302 dg	Bumper, cpl.
102	2314 dg	Bearing block, left cpl.
103	2923	Belt 333 3M HTDII-6
104	5010 ER	Brush roller, cpl.
105	2313 dg	Bearing block, right cpl.
106	2929	Spring
107	2316 dg	Pile adjustment assembly compl.
108	2909 VO	Access door ET
109	2304 dg	Rear bottom plate cpl.
110	2931 DG	Pile adjustment button
111	2306 DG	Wheel, cpl.
112	2937 OR	Foot pedal
113	2307 dg	Swivel neck assembly compl.
114	0876 ER	Wiring swivel neck
115	2947 dg	Cover
116	2950 ER	Segments, TS-neck
117	1737 DG	Release button
118	2952 dg	Button cover
119	2945 DG	Swivel neck slide
120	2951 DG	Socket cover, TS-neck
121	01027 ER	Screw F 3,9x9,5
122	2954	Swivel neck bearing
123	2311	Swivel neck support, right
124	2312	Swivel neck support, left
125	0880	Wiring swivel neck switch
126	2928	Axle
127	01021 ER	Screw F 3,9x13
128	2975 ER	Brush motor 230/240V, 175W
129	05141 S	Pair of carbon brushes
130	01020 ER	Screw F 3,9x21
131	2985 ER	Printed circuit board ET1-175W
132	2337 hgSE	Power head cover ET1
133	0176 ER	Screw AM 4x30
134	5402	Wire tie
135	2319	Motor pulley
136	2955	Lens left
137	2956	Lens right