

# LAVORWASH

## SERVICE

Parts

CODE

**8.527.0002**

DESCRIPTION

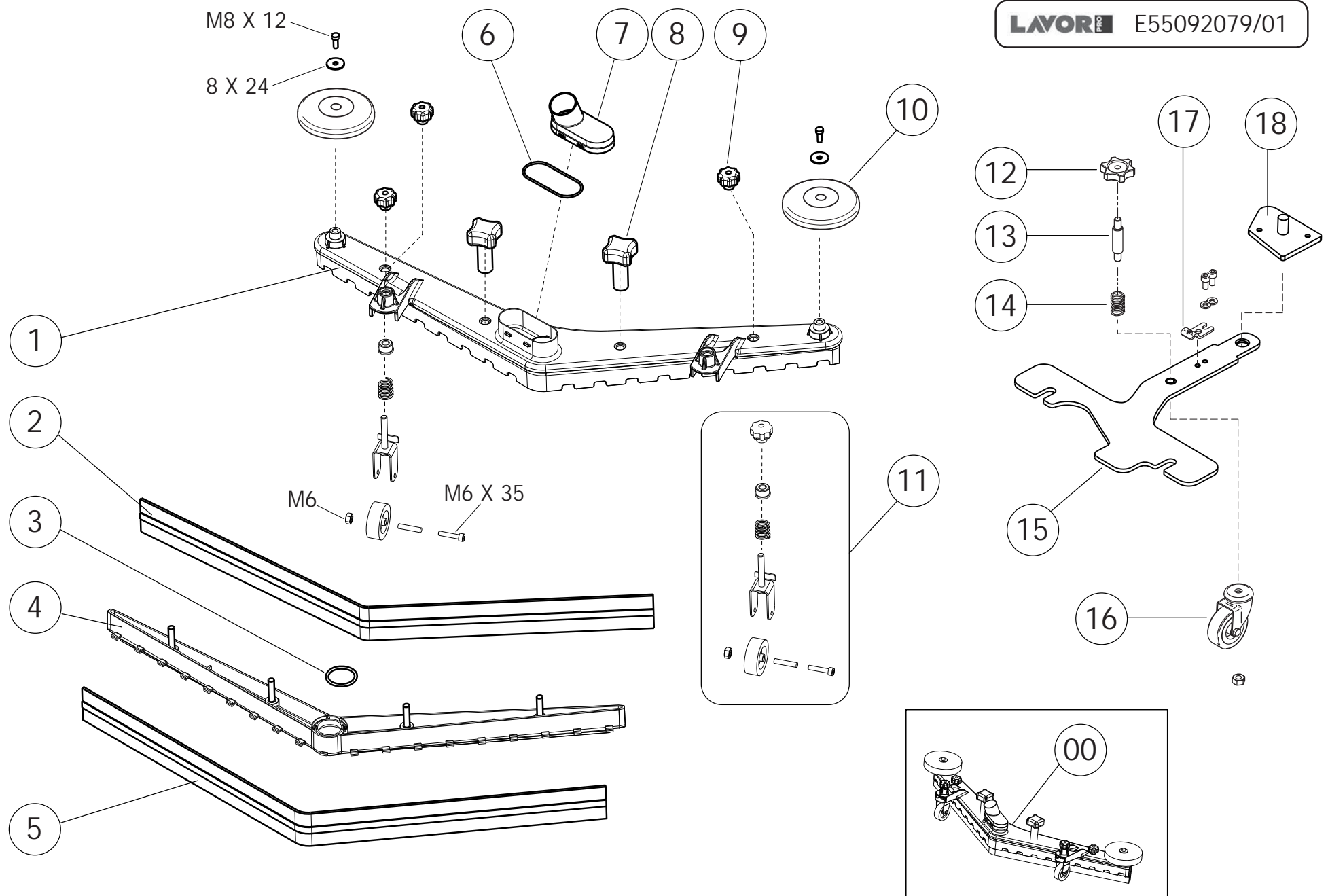
**SCL FREE EVO 50BT W/BATTERY CHARGER**

REVISION

**24/4/2012**

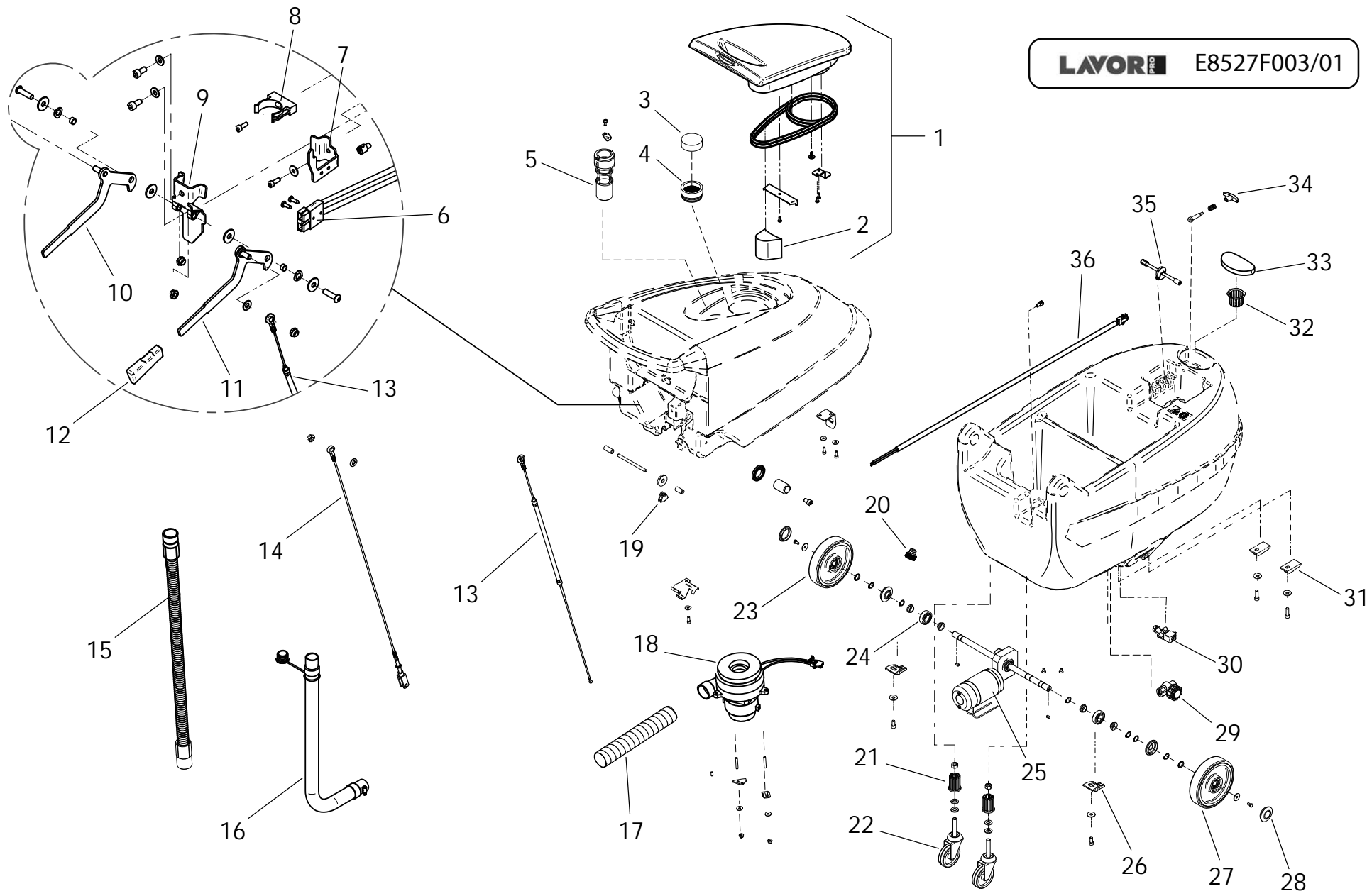
VALIDITÀ

**WEEK 5 2014**





LAVOR PRO E8527F003/01



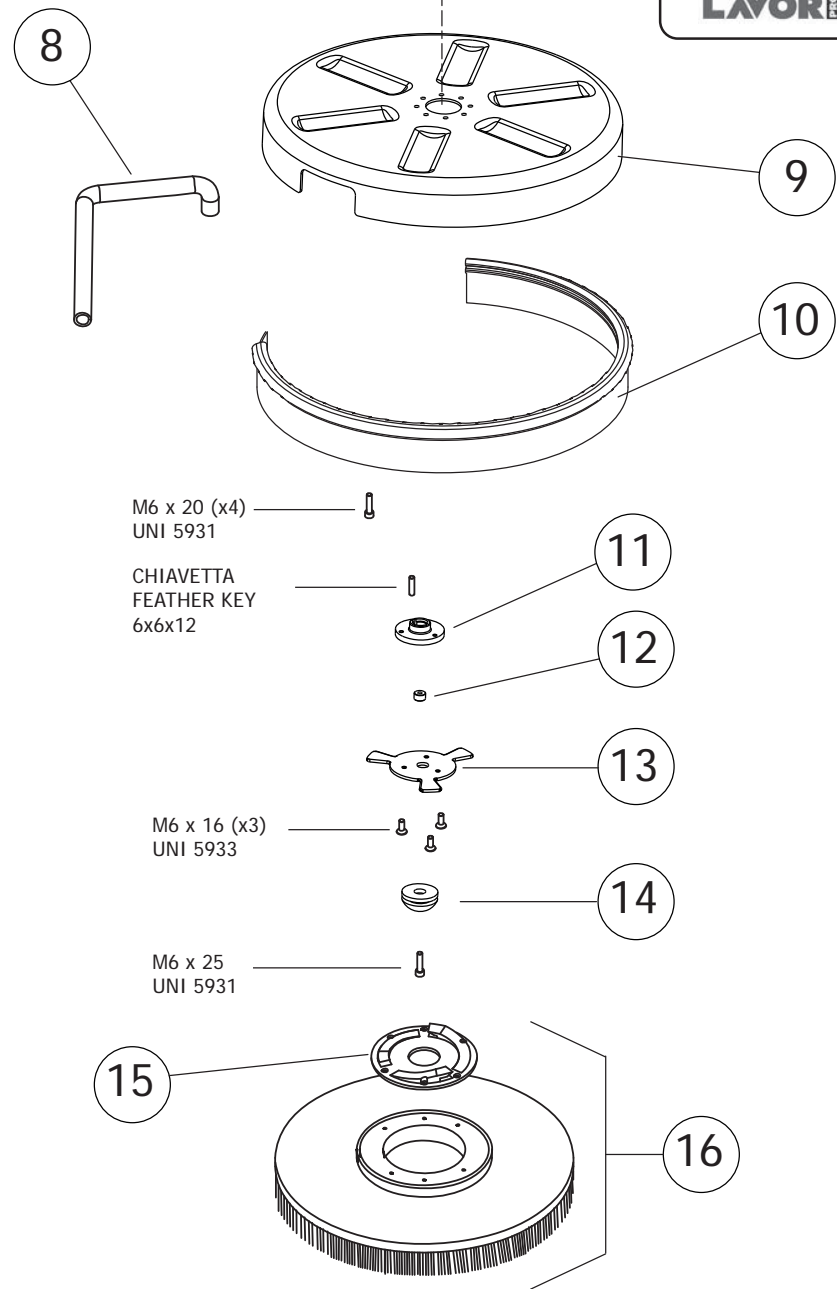
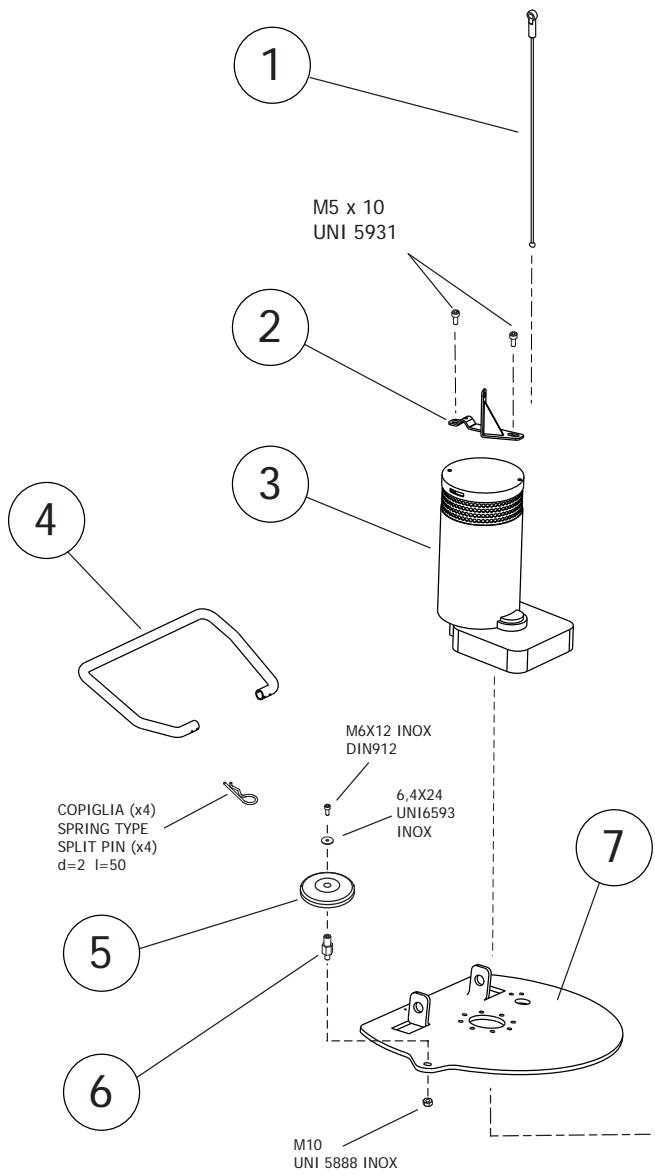
Pos.	Code	Price	Q.ty per	Qty.	Description	Alternative	Price	Q.ty per	Description
001	5.511.1657	105.79	1	1	TANK COVER ASSEMBLY		0	0	
002	4.508.0766	11.46	2	1	MT. 8 1/4 CONNECTION H.P. HOSEAIRFOAM GASKET		0	0	
003	4.508.0768	11.46	2	1	CIRCULAR AIRFOAM GASKET		0	0	
004	4.508.0770	11.76	2	1	RUBBER FILTER SWIFT B/E		0	0	
005	5.511.1656	53.04	1	1	FLOAT ASSEMBLY		0	0	
006	5.511.0703	39.69	1	1	BATTERY CONNECTION CABLE ASSEMBLY		0	0	
007	4.507.0635	22.49	1	1	BRACKET FOR ANDERSON PLUG		0	0	
008	3.099.0343	11.25	2	1	HOSE HOLDER D. 40		0	0	
009	5.513.0134	23.63	1	1	LEVER SUPPORT		0	0	
010	5.513.0133	37.2	1	1	BRUSH PLATE LIFTING ASSEMBLY		0	0	
011	5.513.0132	37.2	1	1	SQG LIFTING LEVER ASSEMBLY		0	0	
012	4.508.0971	4.73	5	2	HANDLE SPECIAL LEVEL (15X4)		0	0	
013	3.099.1329	22.71	1	1	SQUEGEE LIFT CABLE	5.511.1331	45.32	1	SQUEGEE LIFT
014	3.099.0881	24.75	1	1	CABLE D.2,5x133 L=685		0	0	
015	5.509.0629	26.66	1	1	SUCTION HOSE ASSEMBLY		0	0	
016	5.511.1655	39.88	1	1	EXHAUST PIPE ASSEMBLY		0	0	
017	3.752.0167	64.22	1	1	AIR PIPE D.51 LENGHT 300mm		0	0	
018	5.511.1251	218.65	1	1	SUCTION MOTOR ASSEMBLY	5.511.1390	206.51	1	KIT RICAMBIO MOT. ASPIRAZIONEKRON ZERO /
019	4.506.0142	0.45	50	1	PULLEY FORK		0	0	
020	5.511.0937	21.85	1	1	TANK DRAIN CAP ASSY		0	0	
021	4.508.0866	2	12	2	WHEEL SUPPORT - SWIF B	5.511.1359	21.85	1	PIVOTING WHEEL SUPPORT ASSEMBLY
022	3.006.0128	56.92	1	2	REVOLVING WHEEL D.80 OIL-PROOF+SCREW		0	0	
023	3.006.0117	85.03	1	1	WHEEL D.160 HOLE 98 SHA d=17 -LEFT		0	0	
024	3.001.0034	3.95	6	2	BALL BEARING 6004 2RS (42X20X12)		0	0	
025	5.511.1792	520.2	1	1	GEARMOTOR ASSEMBLY		0	0	
026	4.508.0689	1	20	2	FIXING WHEEL AXLE - SWIFT B		0	0	
027	3.006.0118	85.03	1	1	WHEEL D.160 HOLE 98 SHA d=17 -RIGHT		0	0	
028	3.099.1066	11.25	2	2	CAP FOR WHEEL - GREY		0	0	
029	3.102.0023	59.33	1	1	WATER FILTER WITH FLOW REGULATOR		0	0	
030	3.412.0026	100.8	1	1	SOLENOID VALVE 2 WAYS 1/2 24V		0	0	
031	4.507.0793	1	20	2	LEVER SUPPORT PLATE - SWIFT B		0	0	
032	4.508.1064	1.14	18	1	DETERGENT TANK FILTER FOR SWIFT/FLICK		0	0	
033	4.508.0739	11.46	2	1	SPONGE FILTER		0	0	
034	3.099.0307	2.12	10	1	HANDLE FOR TIE ROD BLACK MODELMT/58/FFC-M6		0	0	

**8.527.0002**

**R55092084-1**

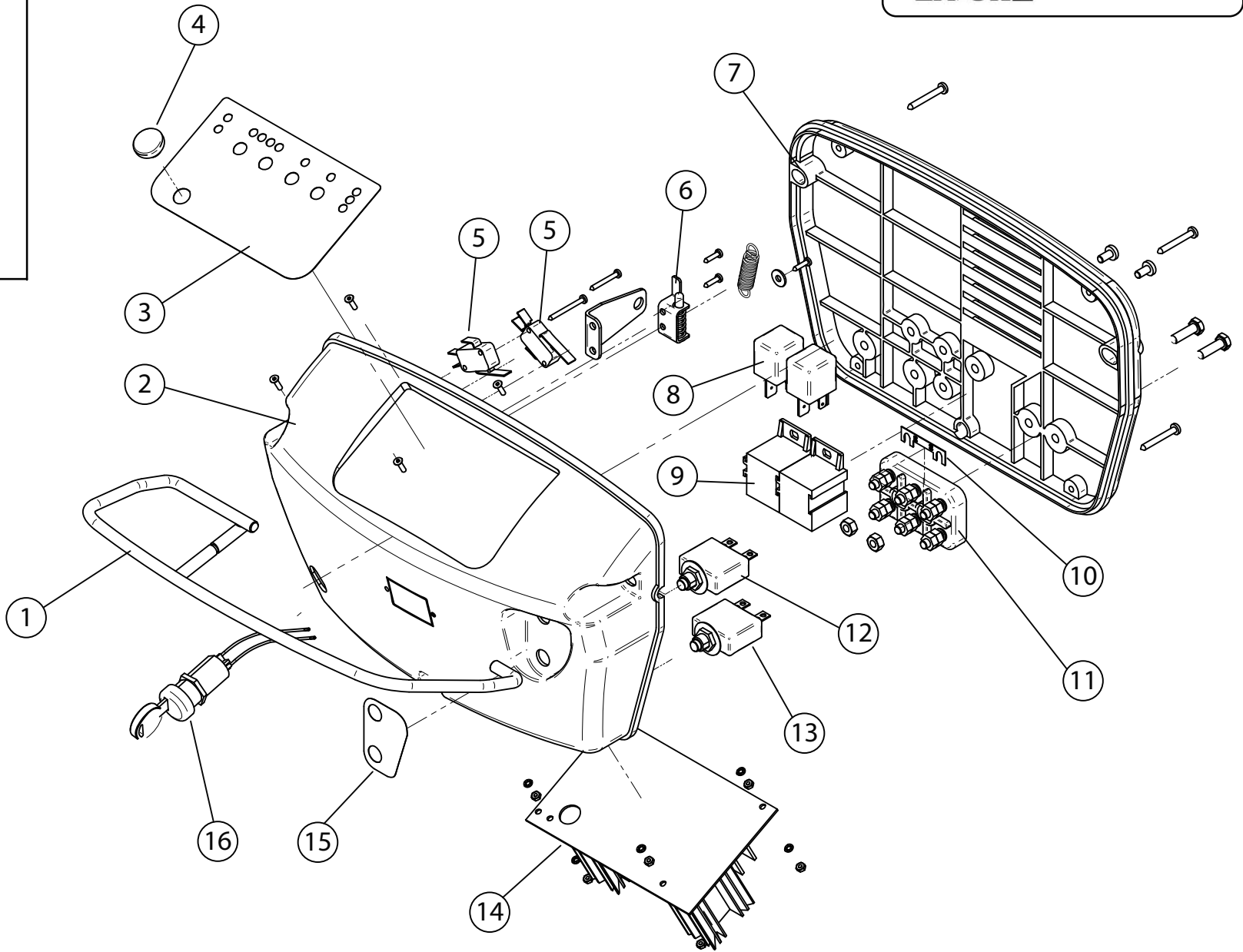
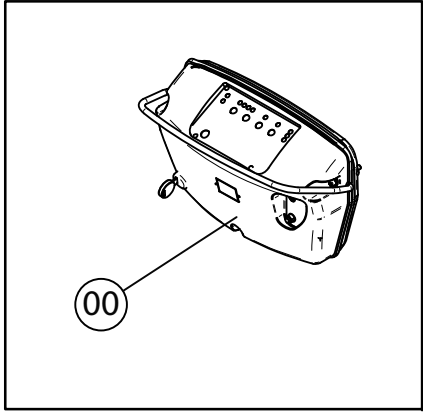
**TANKS**



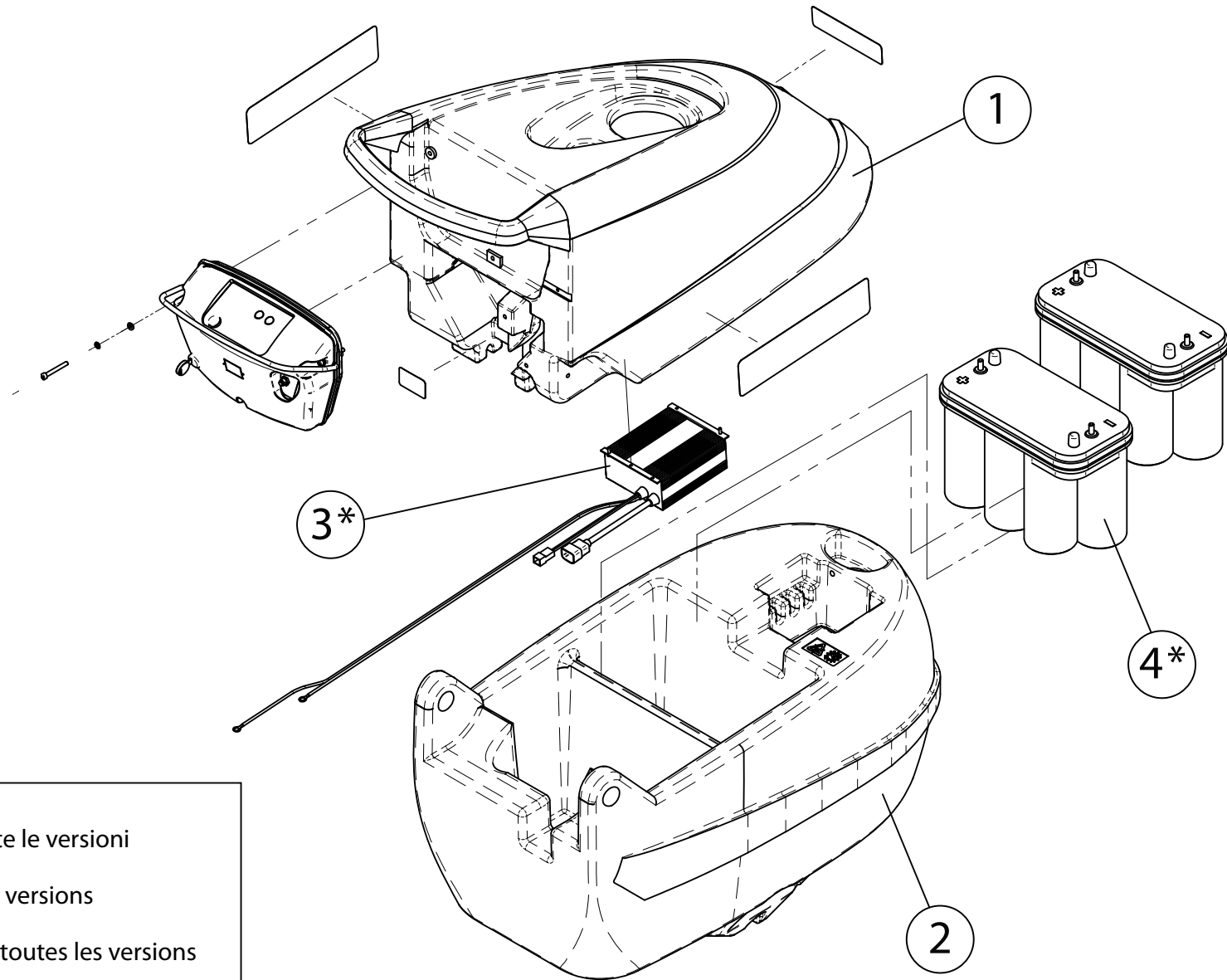












- \* = Non incluso in tutte le versioni
- \* = Not included in all versions
- \* = Pas présents dans toutes les versions
- \* = No incluido en todas las versiones

