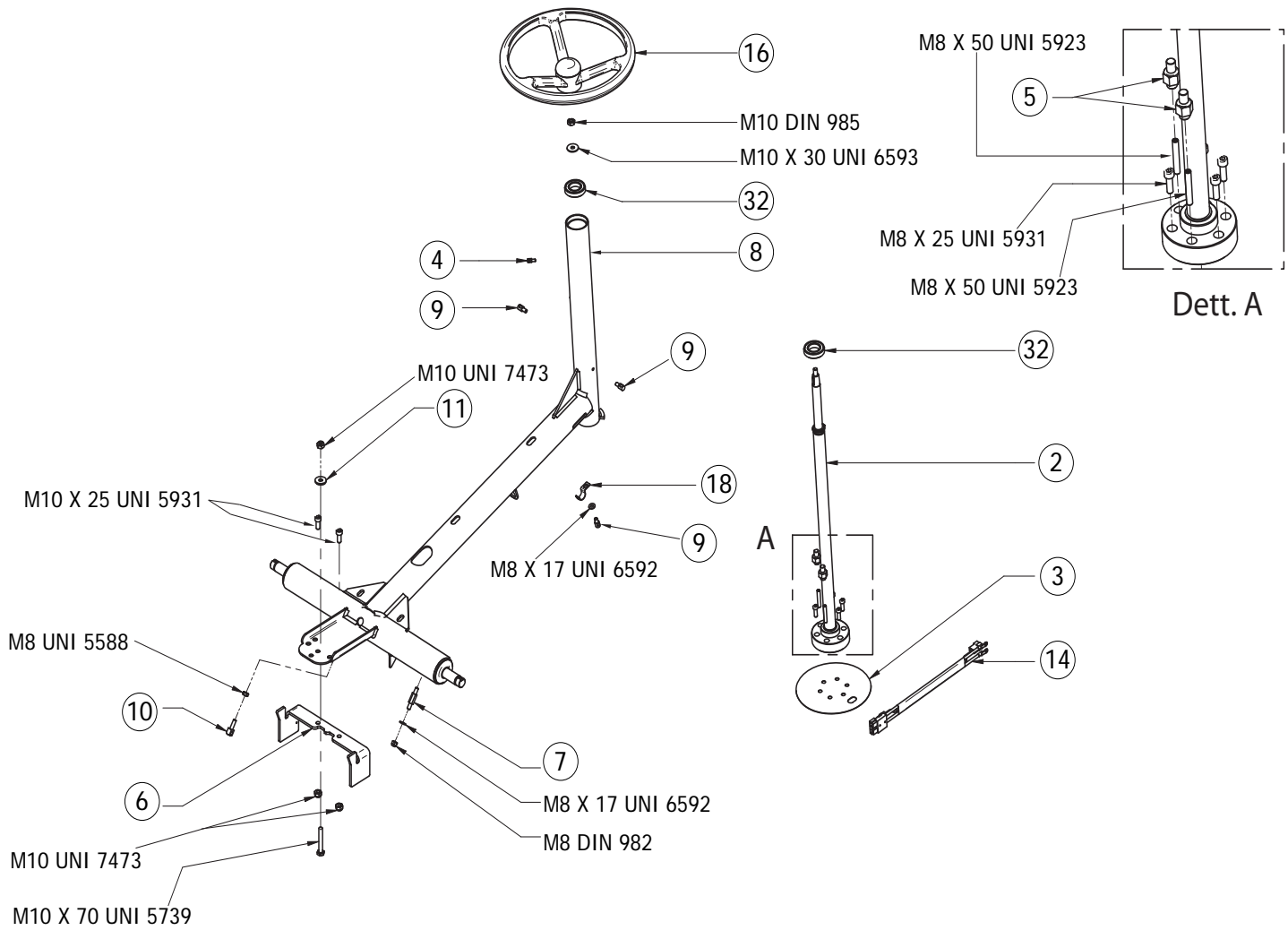


# LAVORWASH

## SERVICE

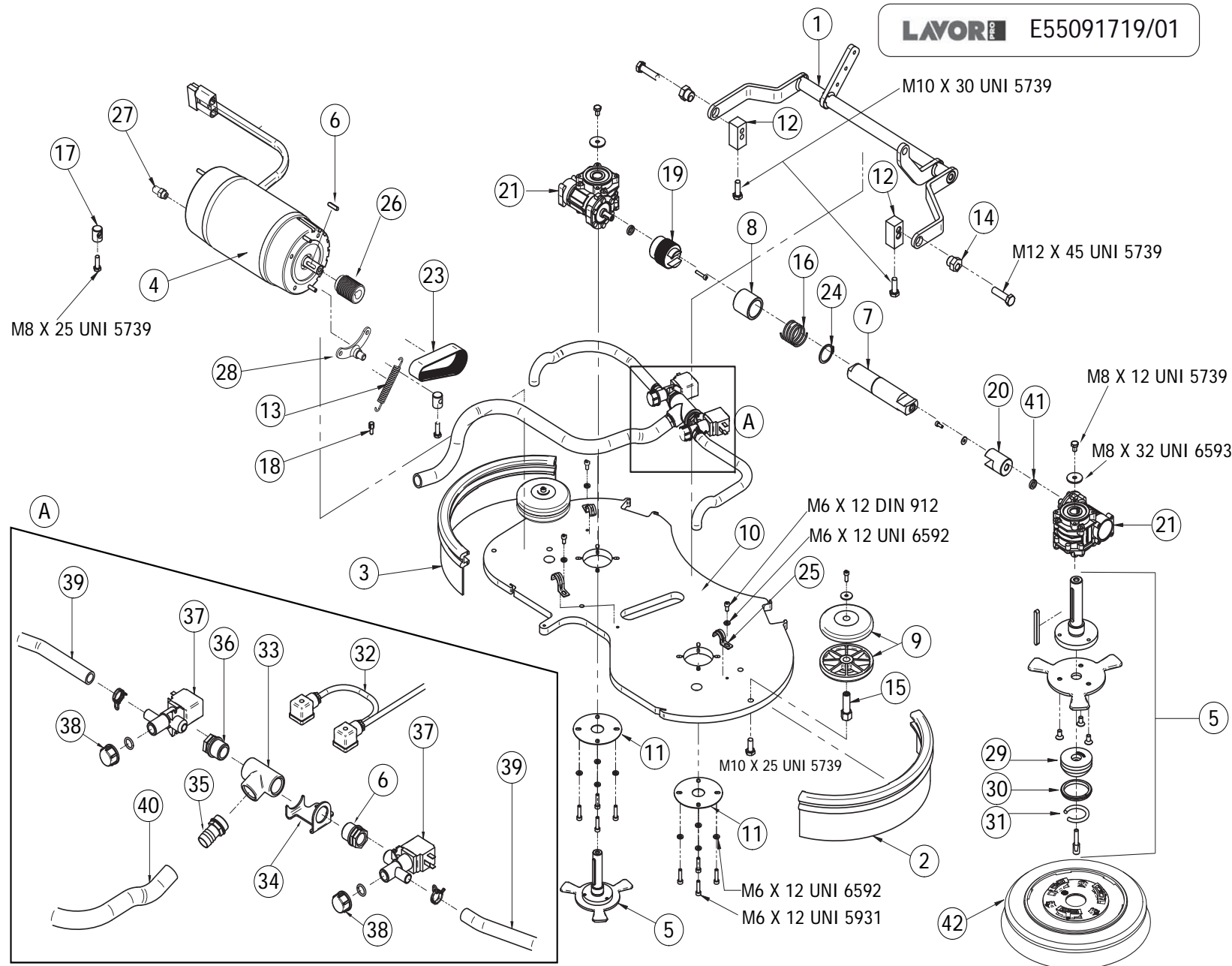
Parts

CODE	<b>8.574.2001</b>
DESCRIPTION	<b>SCL COMFORT XS 75 ESSENTIAL LWS</b>
REVISION	<b>9/6/2009</b>
VALIDITÀ	<b>WEEK 43 2013</b>





**LAVORI** E55091719/01



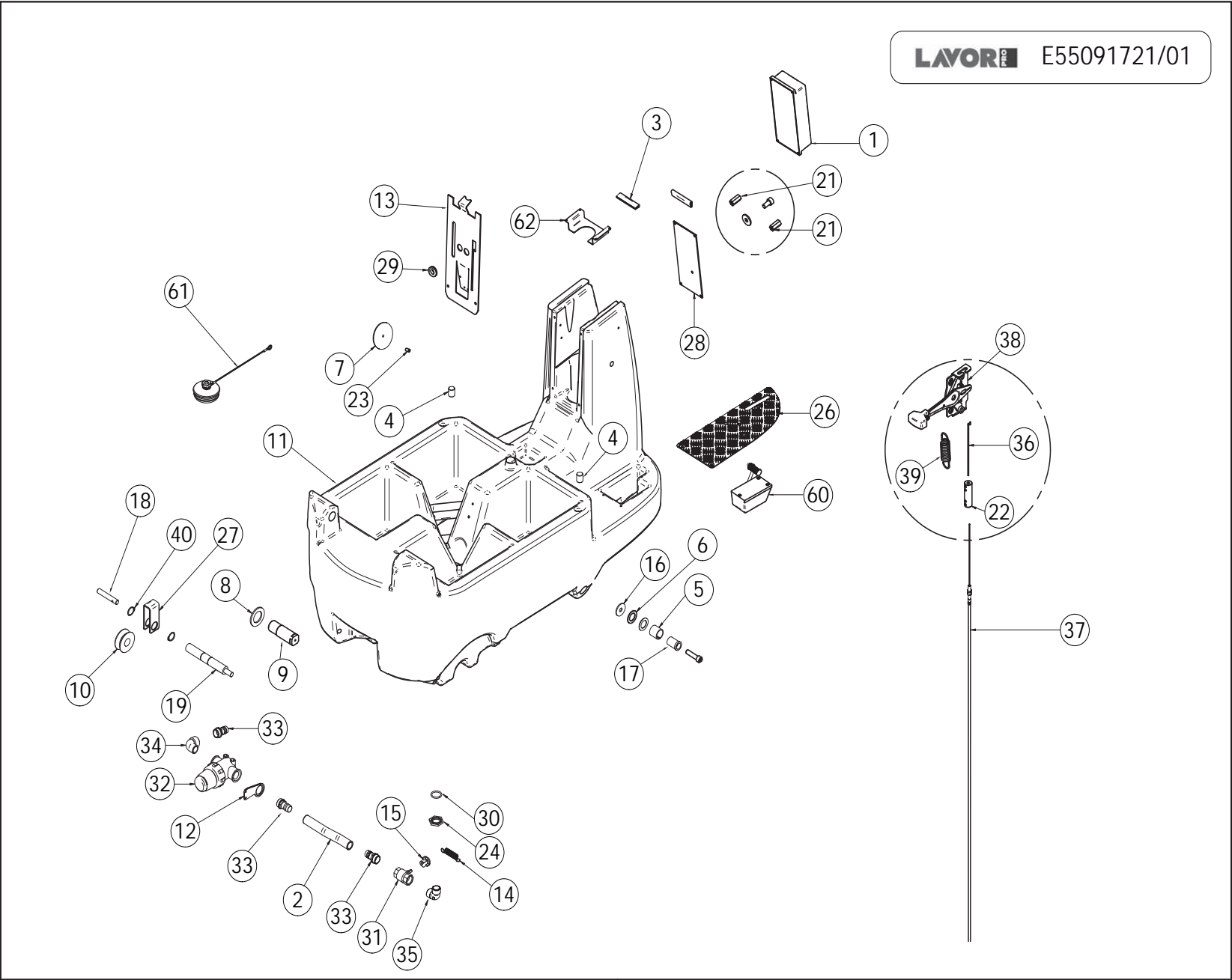
Pos.	Code	Price	Q.ty per	Qty.	Description	Alternative	Price	Q.ty per	Description
001	5.513.0247	120	1	1	BRUSH PLATE LIFTING LEVER	5.513.0297	0	1	COMPLETE BRUSHPLATE LIFTING LEVER
002	5.511.1423	77.13	1	1	COMPLETE RIGHT BOOMPER		0	0	
003	5.511.1422	77.13	1	1	COMPLETE LEFT BOOMPER		0	0	
004	5.501.0058	610.19	1	1	BRUSH MOTOR 24V-1250W		0	0	
005	5.511.1173	148.25	1	2	BRUSH COUPLING ASSEMBLY KRON ZERO		0	0	
006	3.099.0054	1.07	20	1	FEATHER KEY 5X5X20 UNI 6604		0	0	
007	4.508.1065	53.56	1	1	REDUCER CONNECTION ROD		0	0	
008	4.508.0299	21.42	1	1	NYLON CENTRING BUSHING		0	0	
009	4.508.0224	10.71	2	4	BUMPER WHEEL D.110 GREY		0	0	
010	4.507.1301	0	1	1	BRUSH PLATE		0	0	
011	4.507.1092	21.42	1	2	RIDUCTOR PROTECTION DISC		0	0	
012	4.507.1074	21.42	1	2	BAR		0	0	
013	4.507.0467	4.5	6	1	SPRING		0	0	
014	4.507.0365	2.62	10	2	CAM		0	0	
015	4.507.0361	21.42	1	2	BUMPER WHEEL SUPPORT		0	0	
016	4.507.0335	21.42	1	1	COMPRESSION SPRING		0	0	
017	4.507.0151	3.2	10	2	MOTOR SUPPORT		0	0	
018	4.506.0034	21.42	1	1	PIN FOR SPRING COUPLING		0	0	
019	4.505.0118	57.93	1	1	DRIVEN PULLEY - KRON ZERO		0	0	
020	4.505.0032	21.42	1	1	RING NUT		0	0	
021	3.099.1511	257.09	1	2	SPEED REDUCER RI40		0	0	
022	3.099.1493	0	1	1	CABLE HOLDER D.25-26		0	0	
023	3.099.0856	51.44	1	1	BELT POLY-V 130J 330 H=12		0	0	
024	3.099.0544	1.07	20	1	SEEGER RING D=35 UNI 7435-35		0	0	
025	3.099.0329	10.71	2	1	HOSE CLAMP D.20 ZNT		0	0	
026	4.505.0041	21.42	1	1	DRIVING PULLEY		0	0	
027	4.506.0055	21.42	1	1	BUSHING FOR MOTOR SUPPORT		0	0	
028	5.513.0222	21.42	1	1	MOTOR SUPPORT (BELT SIDE)		0	0	
029	4.508.0290	10.71	2	1	BRUSH COUPLING CENTERING BUSHING		0	0	
030	4.508.0314	7.23	3	1	OPENED RING		0	0	
031	3.200.0127	10.71	2	1	O-RING D=5.34 L=106		0	0	
032	4.512.0088	36.05	1	1	SOLENOID VALVE CABLE		0	0	
033	3.100.0355	10.71	2	1	"T" JOINT G3/4		0	0	
034	4.507.1282	0	1	1	SOLENOID VALVE SUPPORT		0	0	

**8.574.2001**

**R55091719-1**

**BRUSH PLATE**





Pos.	Code	Price	Q.ty per	Qty.	Description	Alternative	Price	Q.ty per	Description
001	5.511.1432	951.23	1	1	CIRCUIT BOARD	5.511.1730	761.3	1	REPLACEMENT KIT ELEC. CARD FORKRON ZERO
002	4.508.1427	44.56	1	1	HOSE D.20 X D.26.8 L=195mm		0	0	
003	4.508.1388	0	1	2	RUBBER PROTECTION		0	0	
004	4.508.0997	8.45	3	2	RUBBER BUMPER		0	0	
005	4.508.0661	7.42	4	2	BUSHING KRON ZERO		0	0	
006	4.508.0660	3.94	7	4	SPACER FOR TANK - KRON ZERO		0	0	
007	4.508.0657	21.42	1	1	WASHER		0	0	
008	4.508.0650	5.8	5	2	HINGE SPACER - KRON ZERO		0	0	
009	4.508.0649	23.53	1	2	HINGE PIN - KRON ZERO		0	0	
010	4.508.0648	33.36	1	1	PULLEY KRON ZERO		0	0	
011	4.508.0624	672.69	1	1	SOLUTION TANK KRON ZERO - GREY	5.511.1333	808.55	1	REPLACEMENT KIT TANK KRON ZERO
012	4.507.1300	26.78	1	1	FILTER SUPPORT G3/4		0	0	
013	4.507.1144	75.35	1	1	COVER - KRON ZERO		0	0	
014	4.507.0767	21.42	1	1	SPRING FOR WATER TAP - KRON ZERO		0	0	
015	4.507.0766	21.42	1	1	LEVER FOR WATER TAP - KRON ZERO		0	0	
016	4.507.0764	4.18	6	2	SPACER FOR LEVER - KRON ZERO		0	0	
017	4.507.0763	7.19	4	2	BUSHING - KRON ZERO		0	0	
018	4.507.0758	5.34	5	1	AXLE		0	0	
019	4.507.0757	49.01	1	1	PULLEY AXLE - KRON ZERO		0	0	
021	4.506.0210	2.45	10	4	SPACER		0	0	
022	4.506.0153	21.42	1	1	UNION		0	0	
023	4.506.0136	1.28	20	1	SPACER FOR CABLE SUPPORT		0	0	
024	4.506.0063	21.42	1	1	WASHER 3/4 FOR O-RING 4112		0	0	
026	4.505.0152	50.06	1	1	FOOTBOARD - KRON ZERO		0	0	
027	4.505.0120	21.42	1	1	FORK SUPPORT - KRON ZERO		0	0	
028	4.505.0196	21.42	1	1	CHOPPER SUPPORT PLATE - KRON ZERO		0	0	
029	3.406.0032	1.07	20	2	CABLE-HOLDER 16X25X9.5 BLACK RUBBER 3		0	0	
030	3.200.0124	1.07	20	1	O-RING 4112 28.17X3.53		0	0	
031	3.105.0009	21.42	1	1	BALL VALVE 3/4" F/F		0	0	
032	3.102.0009	28.24	1	1	WATER FILTER F/F 3/4 MESH 80INOX		0	0	
033	3.100.0121	5.96	5	3	HOSE FITTING UNION 3/4 D.20		0	0	
034	3.100.0120	11.47	3	1	UNION ELBOW 90 DEGREES M/F 3/4		0	0	
035	3.100.0119	11.46	3	1	ELBOW CONNECTOR 90 GRADES M/M3/4		0	0	
036	3.099.1250	8.5	3	1	STEEL CABLE L=100		0	0	

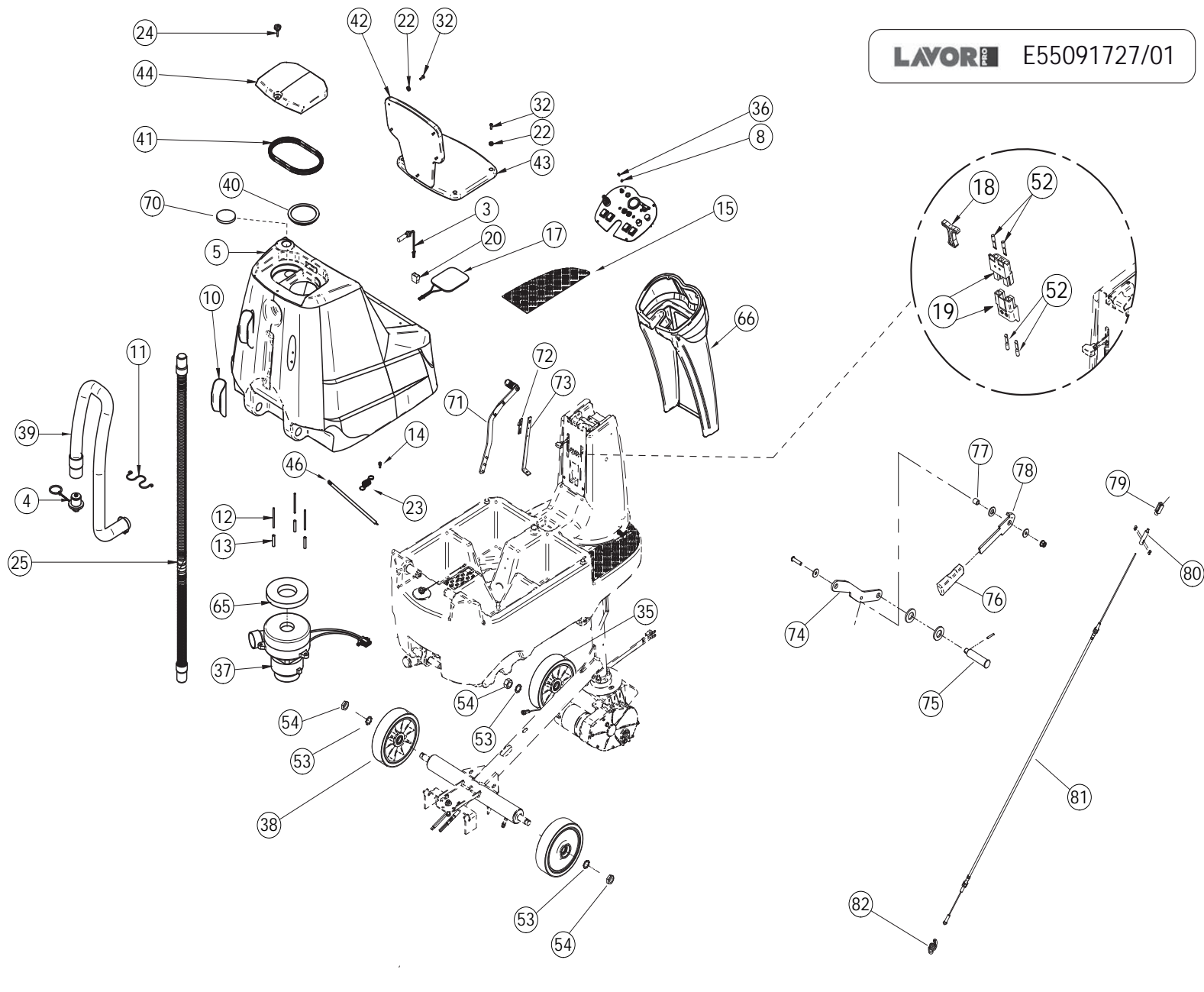
**8.574.2001**

**R55091721-1**

**CLEAN WATER TANK**







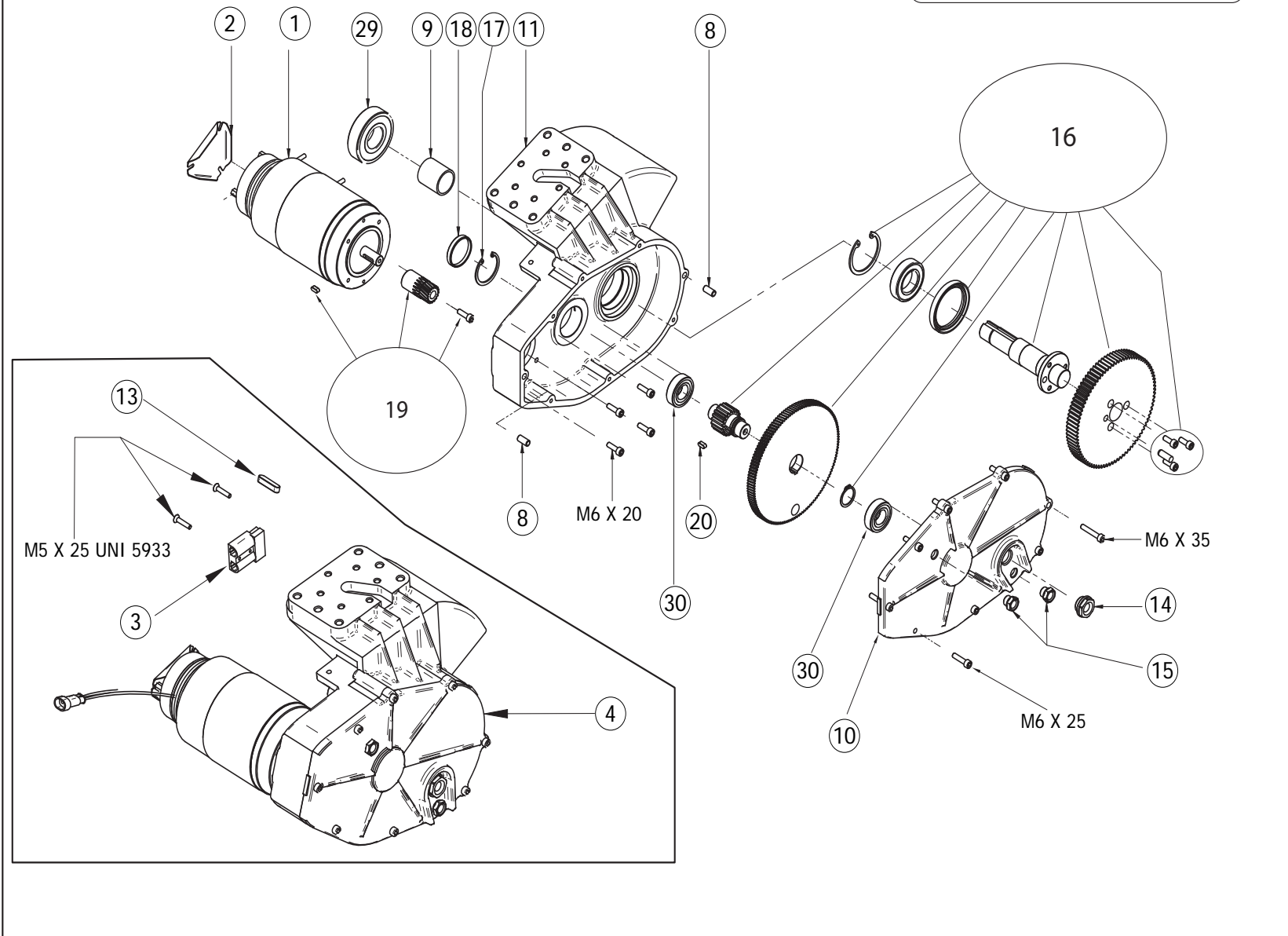
Pos.	Code	Price	Q.ty per	Qty.	Description	Alternative	Price	Q.ty per	Description
003	5.511.1438	45.53	1	1	COMPLETE FLOATING SWITCH		0	0	
004	5.511.0421	24.33	1	1	DRAIN HOSE CAP ASSEMBLY		0	0	
005	4.508.0791	683.52	1	1	RECOVERY TANK - YELLOW		0	0	
008	4.508.1246	1.83	20	4	CLAMP BUTTON		0	0	
010	4.508.0781	21.42	1	2	HOSE CLAMP		0	0	
011	4.507.1048	31.28	1	1	HOSE CLAMP		0	0	
012	4.507.0760	8.58	3	3	SUCTION MOTOR HOLDER - KRON ZERO	4.506.0241	21.42	1	SPACER ENGINE MOUNTING
013	4.506.0187	2.62	9	3	SPACER	4.506.0241	21.42	1	SPACER ENGINE MOUNTING
014	4.506.0034	21.42	1	1	PIN FOR SPRING COUPLING		0	0	
015	4.505.0239	0	1	1	LEFT FOOTREST		0	0	
017	3.499.0400	89.98	1	1	COMPLETE MICROS Wich FOR SEAT		0	0	
018	3.499.0248	21.42	1	1	HANDLE FOR CONNECTOR 80A		0	0	
019	3.499.0246	21.42	1	2	CONNECTOR 80A - RED		0	0	
020	3.499.0187	2.84	9	1	PIN		0	0	
022	3.099.1067	1.95	20	9	BUSHING		0	0	
023	3.099.1022	21.42	1	1	SPRING		0	0	
024	3.099.0838	2.14	10	1	KNOB M6X30		0	0	
025	3.099.0739	40.78	1	1	HOSE SUPERFLEX KLL M D.38+2 COUPLINGS D.38		0	0	
032	3.002.0707	1.07	20	9	SCREW TC-TC M6X20 BLACK PLASTIC		0	0	
035	3.006.0139	115.69	1	1	FRONT WHEEL		0	0	
037	5.511.1300	123.54	1	1	SUCTION MOTOR ASSEMBLY - KRONZERO	5.511.1390	202.46	1	KIT RICAMBIO MOT. ASPIRAZIONE KRON ZERO /
038	3.006.0138	128.54	1	2	REAR WHEEL		0	0	
039	5.511.0676	83.2	1	1	DRAIN HOSE FOR KRON ZERO ASSEMBLY	5.511.1763	85.7	1	DRAINPIPE
040	4.508.1175	35.43	1	1	RING		0	0	
041	4.508.0849	21.42	1	1	RUBBER GASKET + SPONGE L=732		0	0	
042	4.508.0826	110.06	1	1	SEAT BACK		0	0	
043	4.508.0825	109.82	1	1	SEAT		0	0	
044	4.508.0824	67.49	1	1	RECOVERY TANK CAP		0	0	
046	3.099.0911	32.14	1	1	CHAIN HOLDER FOR KRON ZERO TANK		0	0	
053	3.004.0187	0	1	3	WASHER 25x38 sp1.5 Uni 8842-JINOX		0	0	
054	3.003.0402	10.42	3	3	NUT MB24x2 UNI 5589 INOX -DANY024001-		0	0	
066	4.508.0792	167.55	1	1	STEERING COLUMN COVER - YELLOW		0	0	
070	3.099.1515	0	1	1	CAP D.43mm		0	0	
071	5.511.1597	0	1	1	LEVER ASSEMBLY		0	0	

**8.574.2001**

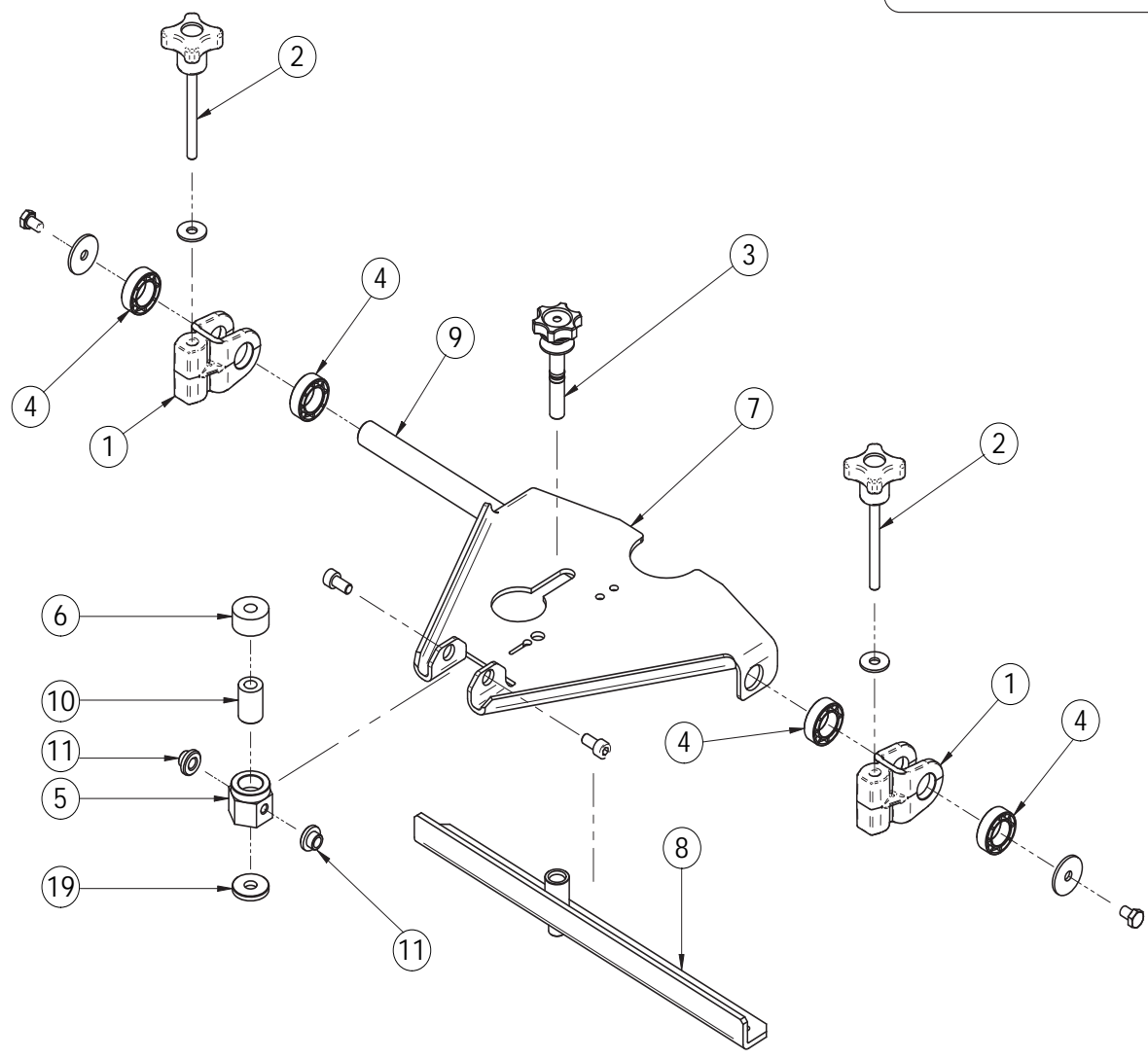
**R55091727-1**

**RECOVERY TANK**



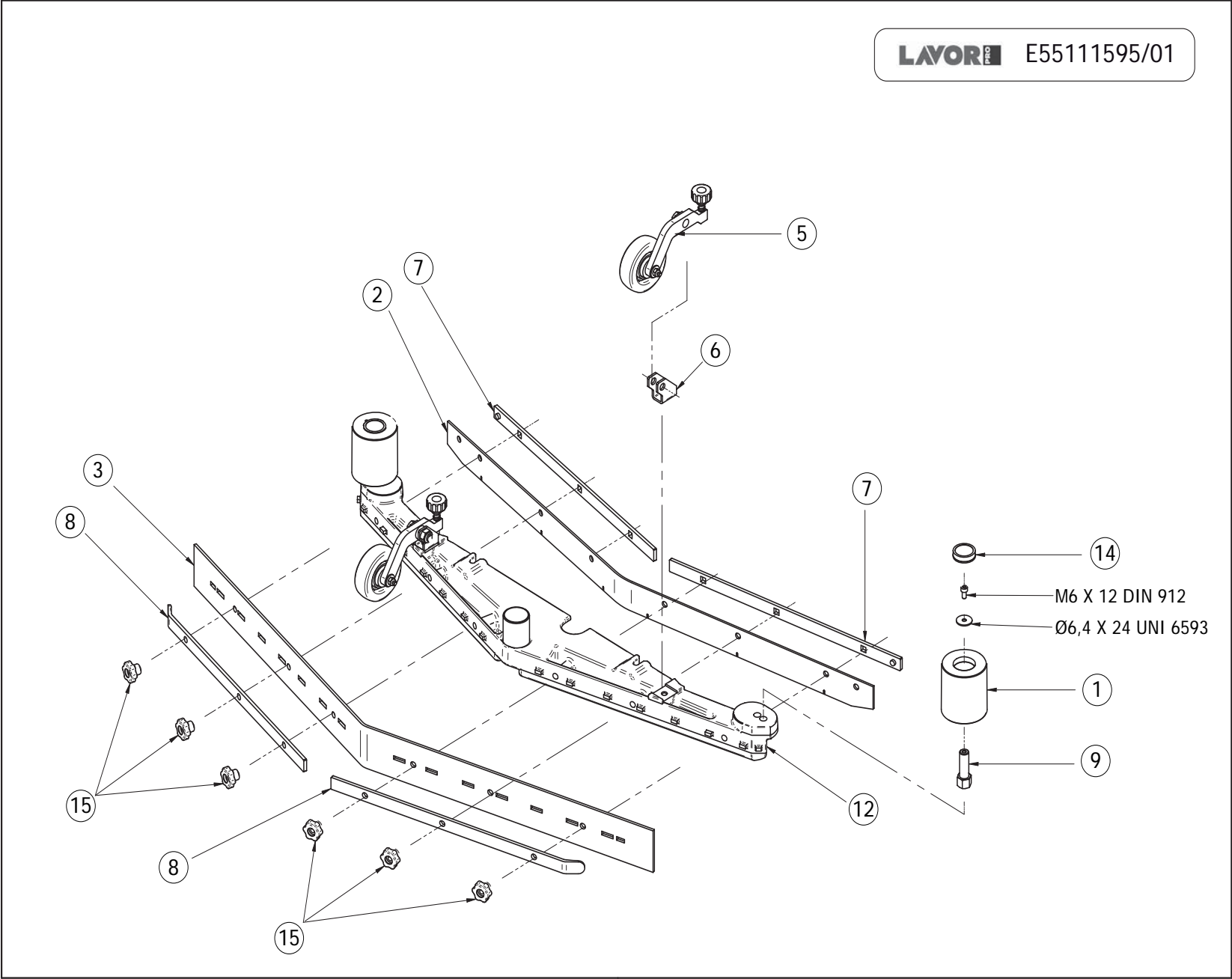




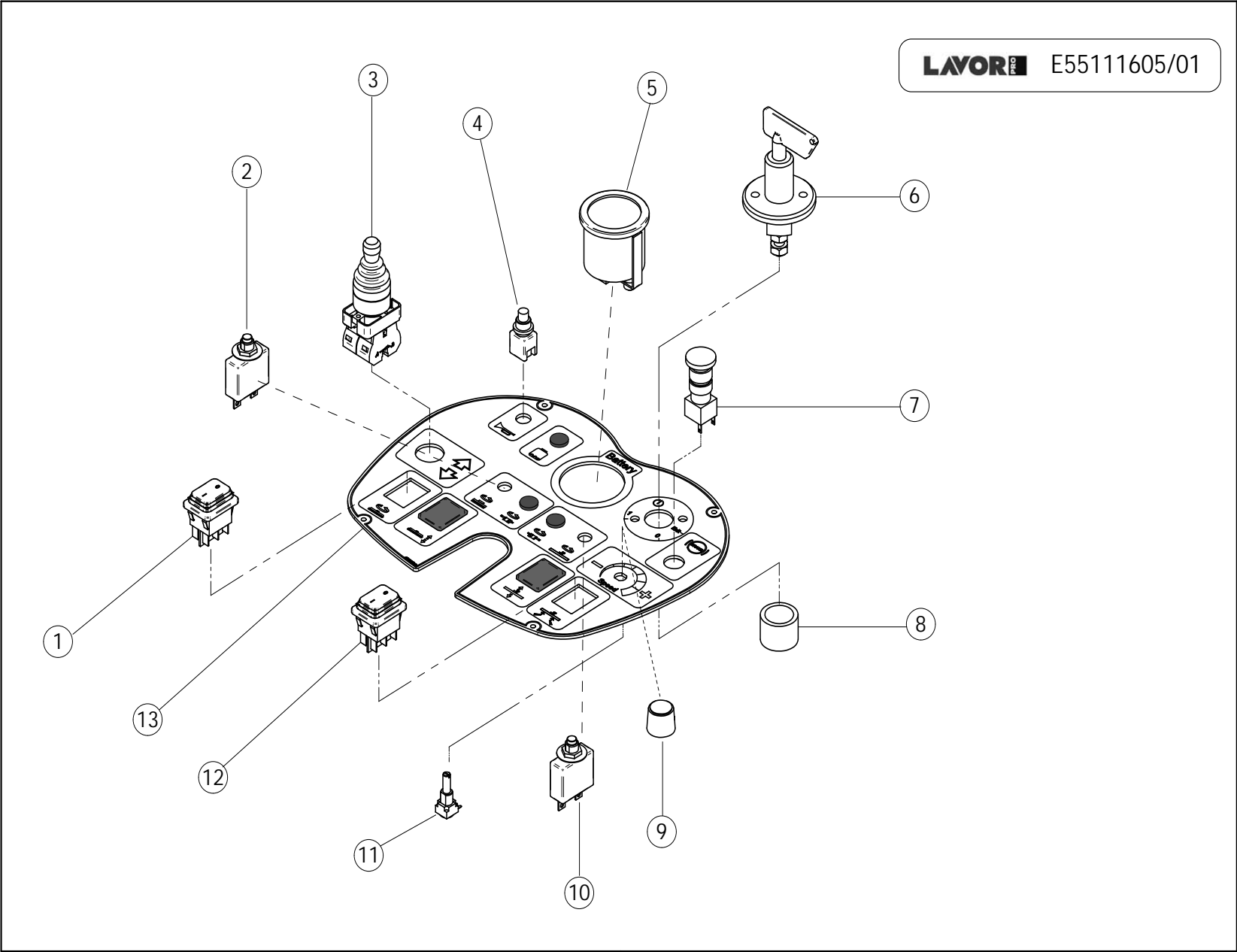














Code	Exploded View	Pos.	Qty
3.001.0034	R55111162-1	030	2
3.001.0048	R55111162-1	029	1
3.001.0053	R55091718-1	032	2
3.002.0707	R55091727-1	032	9
3.003.0402	R55091727-1	054	3
3.004.0187	R55091727-1	053	3
3.006.0138	R55091727-1	038	2
3.006.0139	R55091727-1	035	1
3.099.0054	R55091719-1	006	1
3.099.0329	R55091719-1	025	1
	R55091718-1	018	1
3.099.0467	R55111595-1	015	6
3.099.0510	R55111162-1	013	1
3.099.0533	R55111605-1	009	1
3.099.0544	R55091719-1	024	1
3.099.0739	R55091727-1	025	1
3.099.0831	R55091721-1	040	2
3.099.0832	R55091721-1	039	1
3.099.0838	R55091727-1	024	1
3.099.0845	R55111162-1	020	1
3.099.0850	R55111162-1	017	1
3.099.0851	R55111162-1	018	1
3.099.0856	R55091719-1	023	1
3.099.0862	R55091721-1	038	1
3.099.0893	R55091727-1	081	1
3.099.0911	R55091727-1	046	1
3.099.1022	R55091727-1	023	1
3.099.1028	R55091721-1	037	1
3.099.1029	R55091727-1	079	1
3.099.1032	R55091719-1	038	2
3.099.1067	R55091727-1	022	9
3.099.1223	R55091718-1	016	1
3.099.1244	R55091719-1	039	2
3.099.1250	R55091721-1	036	1

Code	Exploded View	Pos.	Qty
3.099.1399	R55111595-1	014	2
3.099.1402	R55091719-1	040	1
3.099.1445	R55111162-1	015	2
3.099.1446	R55111162-1	014	1
3.099.1493	R55091719-1	022	1
3.099.1511	R55091719-1	021	2
3.099.1515	R55091727-1	070	1
3.100.0119	R55091721-1	035	1
3.100.0120	R55091721-1	034	1
3.100.0121	R55091721-1	033	3
	R55091719-1	035	1
3.100.0330	R55091719-1	036	2
3.100.0355	R55091719-1	033	1
3.102.0009	R55091721-1	032	1
3.105.0009	R55091721-1	031	1
3.200.0124	R55091721-1	030	1
3.200.0127	R55091719-1	031	1
3.401.0103	R55111605-1	004	1
3.401.0119	R55111605-1	010	1
3.401.0139	R55111605-1	012	1
3.401.0162	R55111605-1	006	1
3.401.0203	R55111605-1	002	1
3.403.0107	R55111605-1	003	1
3.403.0188	R55111605-1	005	1
3.406.0032	R55091721-1	029	2
3.412.0027	R55091719-1	037	2
3.499.0029	R55111162-1	003	1
3.499.0123	R55111605-1	011	1
3.499.0187	R55091727-1	020	1
3.499.0241	R55091718-1	014	1
3.499.0246	R55091727-1	019	2
3.499.0248	R55091727-1	018	1
3.499.0400	R55091727-1	017	1
4.505.0032	R55091719-1	020	1

Code	Exploded View	Pos.	Qty
4.505.0041	R55091719-1	026	1
4.505.0116	R55111162-1	011	1
4.505.0117	R55111162-1	010	1
4.505.0118	R55091719-1	019	1
4.505.0120	R55091721-1	027	1
4.505.0152	R55091721-1	026	1
4.505.0168	R55111595-1	012	1
4.505.0196	R55091721-1	028	1
4.505.0239	R55091727-1	015	1
4.505.0244	R55111605-1	013	1
4.506.0034	R55091727-1	014	1
	R55091719-1	018	1
4.506.0055	R55091719-1	027	1
4.506.0063	R55091721-1	024	1
4.506.0136	R55091721-1	023	1
4.506.0153	R55091721-1	022	1
4.506.0187	R55091727-1	013	3
4.506.0210	R55091721-1	021	4
4.506.0229	R55111426-1	011	2
4.506.0234	R55091727-1	077	1
4.506.0246	R55111426-1	010	1
4.507.0151	R55091719-1	017	2
4.507.0301	R55091727-1	082	1
4.507.0335	R55091719-1	016	1
4.507.0344	R55091718-1	011	1
	R55111426-1	019	1
4.507.0359	R55091718-1	010	1
4.507.0361	R55091719-1	015	2
	R55111595-1	009	2
4.507.0365	R55091719-1	014	2
4.507.0467	R55091719-1	013	1
4.507.0596	R55091718-1	009	3
4.507.0734	R55111162-1	009	1
4.507.0735	R55111162-1	008	2

