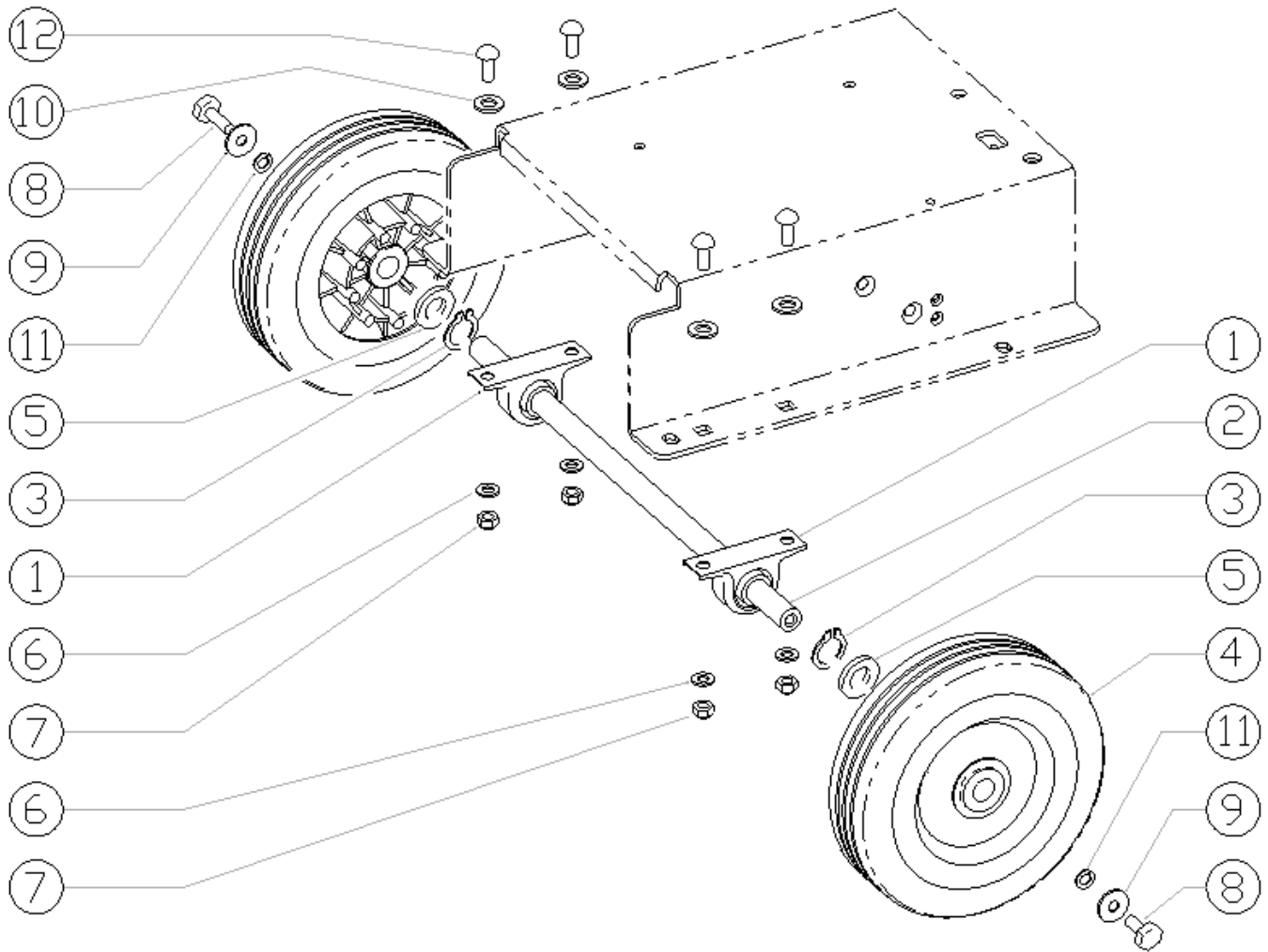


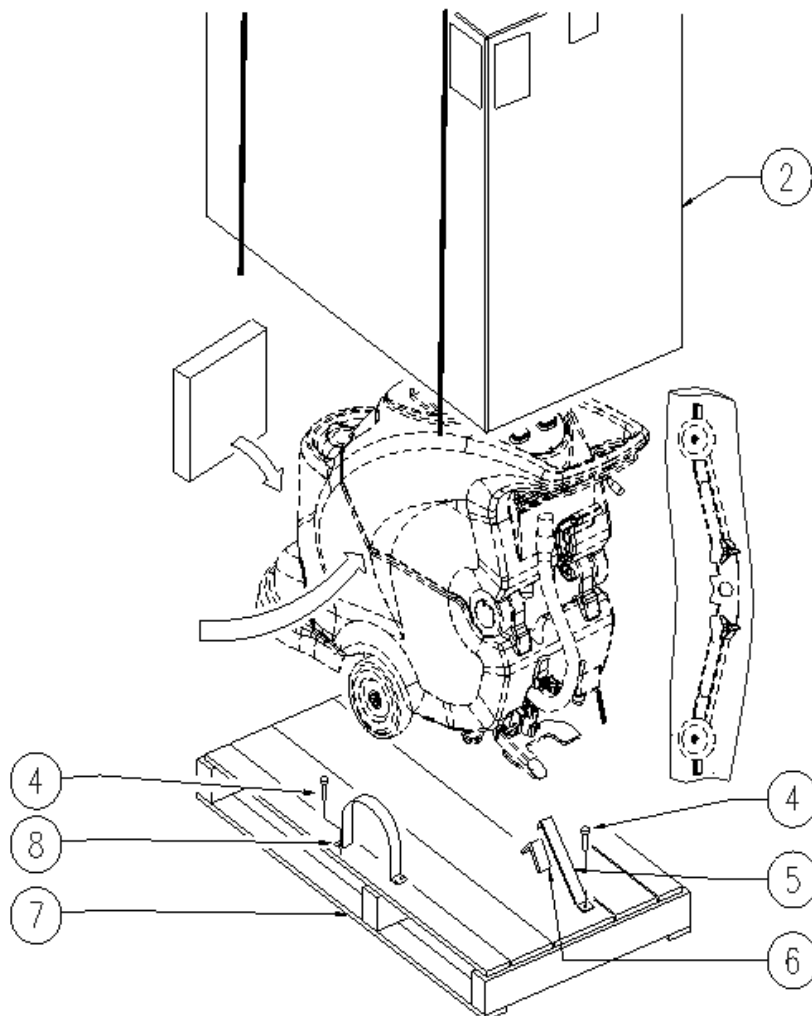
# Spare Parts List

Ref: LPTE00546

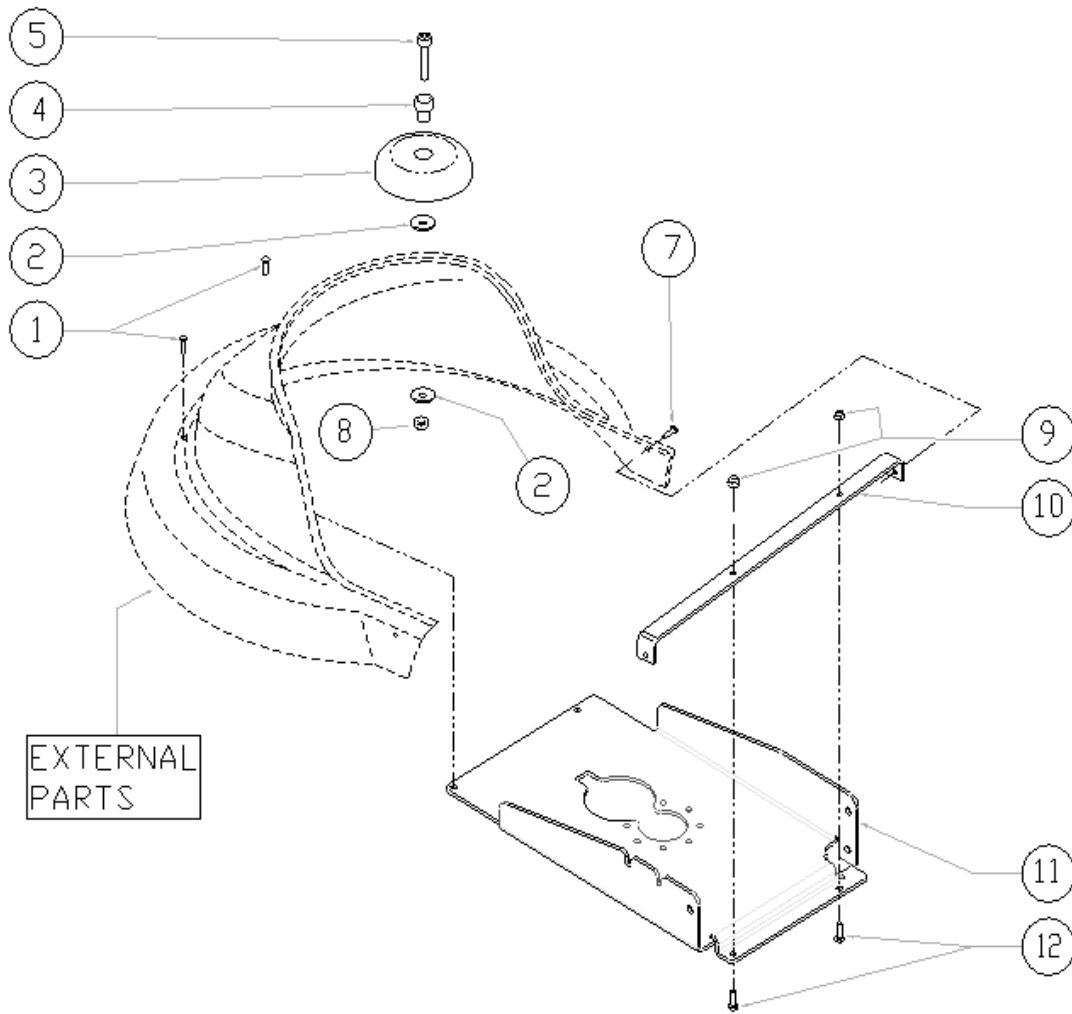
Model: CT40 C50 230V GR/VE 2012



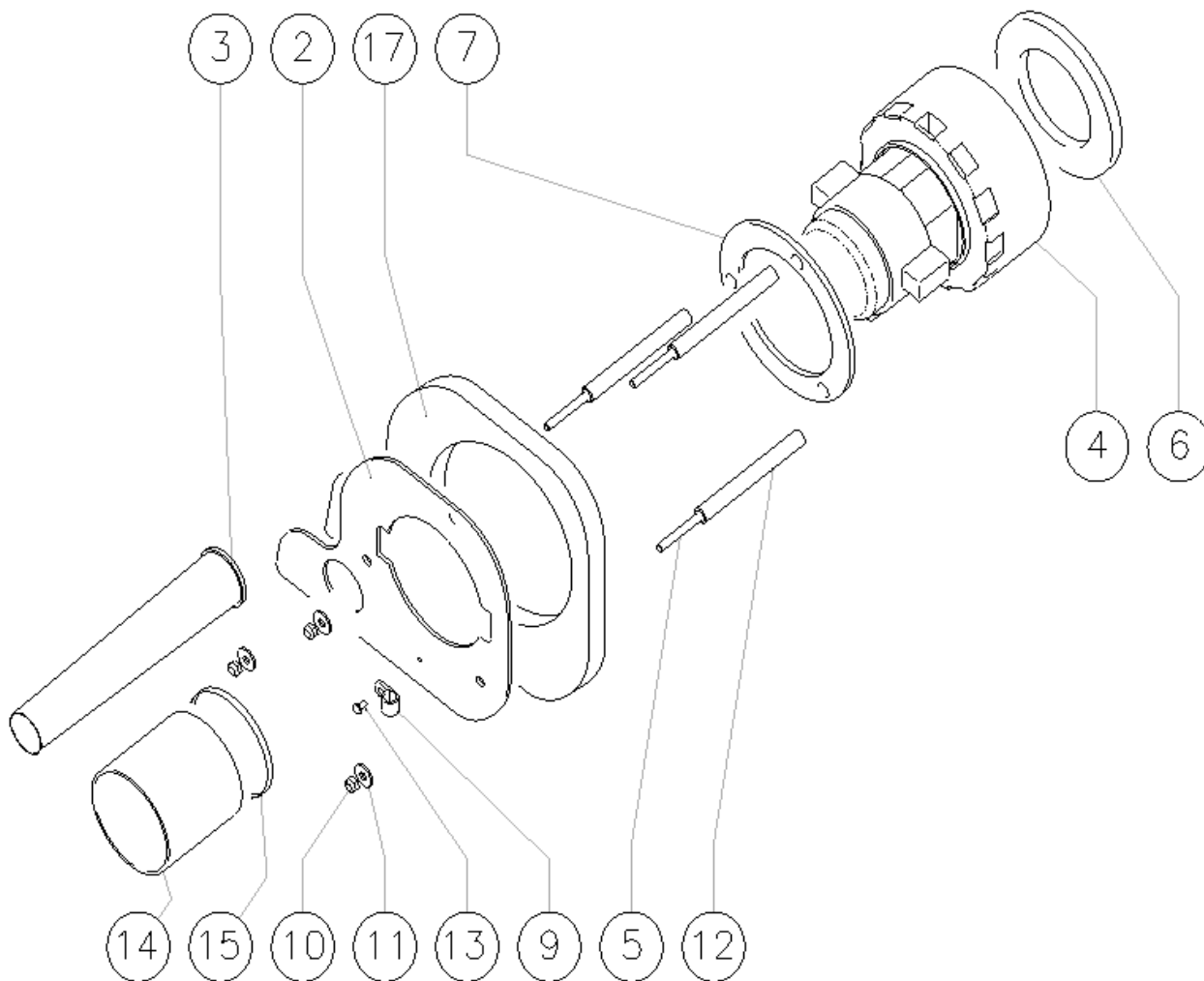
| Ref. | K | Part N.   | Customer Part N. | Description                  | Qty  | Validity: |         | Price |
|------|---|-----------|------------------|------------------------------|------|-----------|---------|-------|
|      |   |           |                  |                              |      | From      | To      |       |
| 0001 |   | CUVR49833 |                  | BALL BEARING SBPP 203        | 2,00 |           |         | --    |
| 0002 |   | ALTR00088 |                  | AXLE -                       | 1,00 | 05/2009   |         | --    |
| 0002 |   | LAFN35746 |                  | WHEELS AXLE LAV. E/B 450     | 1,00 |           | 05/2009 | --    |
| 0003 |   | VTAE00065 |                  | RING D17 UNI7435 INOX        | 2,00 |           |         | --    |
| 0004 |   | RTRT00366 |                  | WHEEL D200 X CLT 40          | 2,00 |           |         | --    |
| 0005 |   | VTRS00378 |                  | WASHER 17,5X32X1,5           | 4,00 | 09/2012   |         | --    |
| 0005 |   | VTRS21763 |                  | WASHER D.17                  | 2,00 |           | 09/2012 | --    |
| 0006 |   | VTRS13947 |                  | WASHER D. 8 INX UNI 6592     | 4,00 |           |         | --    |
| 0007 |   | VTDD01695 |                  | NUT M 8 INX                  | 4,00 |           |         | --    |
| 0008 |   | VTVT15916 |                  | SCREW TE M 8X 16 UNI 5739 A2 | 2,00 |           |         | --    |
| 0009 |   | VTRS13946 |                  | WASHER D. 8 X24 INX UNI 6593 | 2,00 |           |         | --    |
| 0010 |   | VTRS15978 |                  | WASHER D.12X24 UNI 6592 INX  | 4,00 |           |         | --    |
| 0011 |   | VTRS15146 |                  | WASHER D. 8 INX GRW UNI 1751 | 2,00 |           |         | --    |
| 0012 |   | VTVT00842 |                  | SCREW                        | 4,00 |           |         | --    |



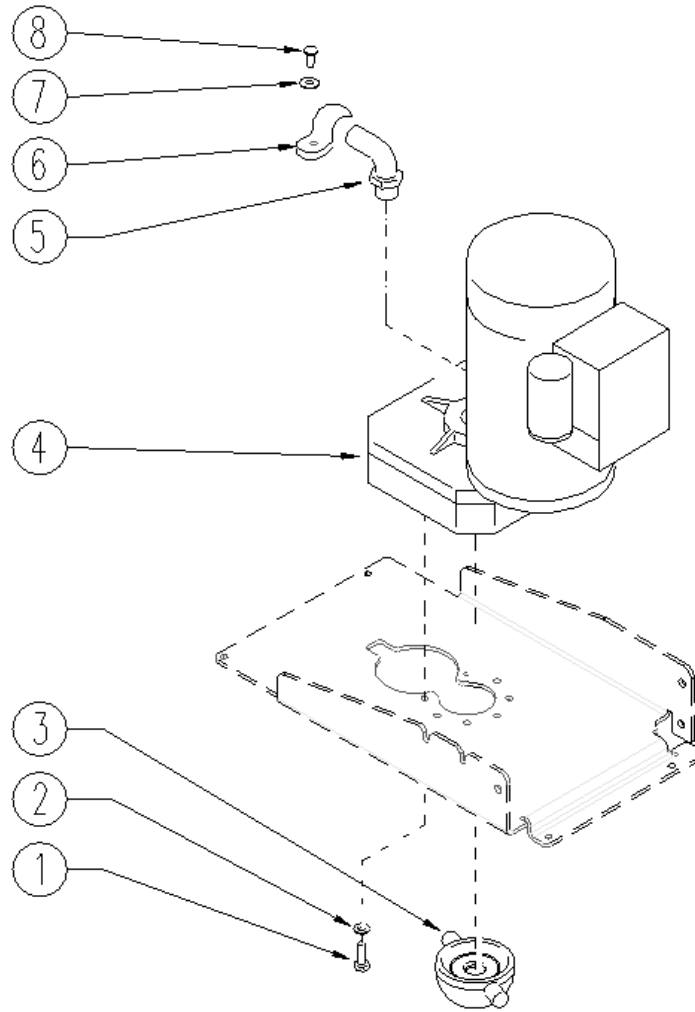
| Ref. | K | Part N.   | Customer Part N. | Description | Qty  | Validity: |    | Price |
|------|---|-----------|------------------|-------------|------|-----------|----|-------|
|      |   |           |                  |             |      | From      | To |       |
| 0002 |   | MICT00147 |                  | CARTON      | 1,00 |           |    | --    |
| 0004 |   | VTVT00043 |                  | SCREW       | 9,00 |           |    | --    |
| 0005 |   | MIVR00137 |                  | CLAMP       | 1,00 |           |    | --    |
| 0006 |   | GUGO00009 |                  | MOUSSE      | 0,05 |           |    | --    |
| 0007 |   | MIBA00077 |                  | PALLET      | 1,00 |           |    | --    |
| 0008 |   | MIVR00135 |                  | CLAMP       | 2,00 |           |    | --    |



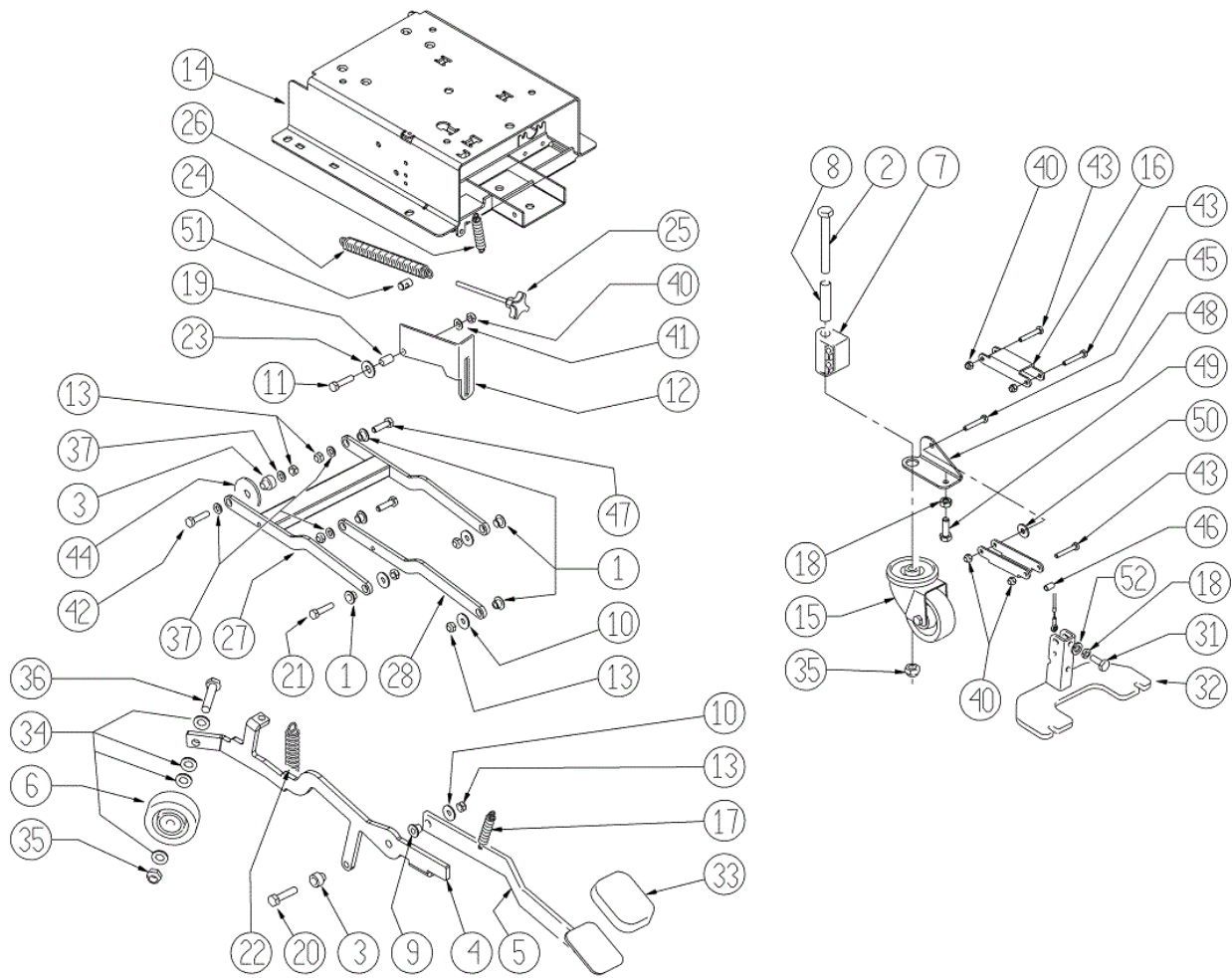
| Ref. | K | Part N.   | Customer Part N. | Description                      | Qty  | Validity: |         | Price |
|------|---|-----------|------------------|----------------------------------|------|-----------|---------|-------|
|      |   |           |                  |                                  |      | From      | To      |       |
| 0001 |   | VTVT00659 |                  | SCREW TC+ M. 4-15                | 2,00 |           | 02/2010 | --    |
| 0001 |   | VTVT01366 |                  | SCREW M4X16                      | 2,00 | 02/2010   |         | --    |
| 0002 |   | VTRS13946 |                  | WASHER D. 8 X24 INX UNI 6593     | 2,00 |           |         | --    |
| 0003 |   | MPVR05290 |                  | ROLLER PARACOLPI                 | 1,00 |           |         | --    |
| 0004 |   | LAFN03915 |                  | BUSHING NUOVO RUOTINO STRONG     | 1,00 |           |         | --    |
| 0005 |   | VTVT00822 |                  | SCREW TCEI M 8-30                | 1,00 | 06/2009   |         | --    |
| 0005 |   | VTVT17349 |                  | SCREW TCEI M 8X30                | 1,00 |           | 06/2009 | --    |
| 0007 |   | VTVT01366 |                  | SCREW M4X16                      | 2,00 |           |         | --    |
| 0008 |   | VTDD01695 |                  | NUT M 8 INX                      | 1,00 |           |         | --    |
| 0009 |   | VTDD15518 |                  | NUT M 6 INX                      | 2,00 |           |         | --    |
| 0010 |   | LAFN05899 |                  | SUPPORT BRACKET CARTER 1 EXTREME | 1,00 |           |         | --    |
| 0011 |   | LAFN07373 |                  | PLATE RIDUTTORE                  | 1,00 |           |         | --    |
| 0012 |   | VTVT15143 |                  | SCREW TE 6X16 UNI5739            | 2,00 |           |         | --    |



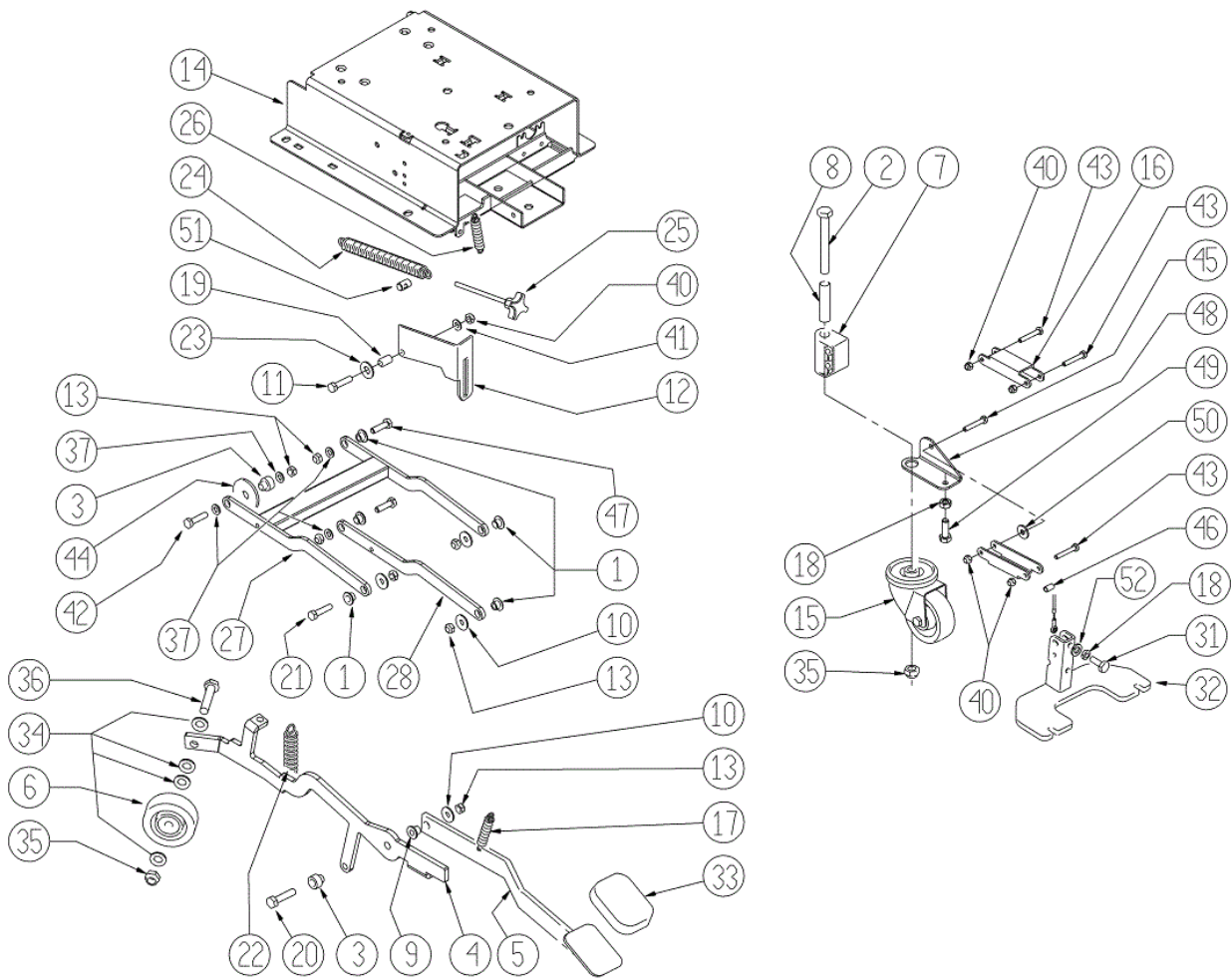
| Ref. K | Part N.   | Customer Part N. | Description                  | Qty  | Validity: |         | Price |
|--------|-----------|------------------|------------------------------|------|-----------|---------|-------|
|        |           |                  |                              |      | From      | To      |       |
| 0002   | LAFN06363 |                  | FLANGE ASPIRATORE            | 1,00 |           |         | --    |
| 0003   | MPVR05259 |                  | TUBE SCARICO                 | 1,00 | 06/2007   |         | --    |
| 0003   | TBFX00244 |                  | TUBE D 34 L200MM             | 1,00 |           | 06/2007 | --    |
| 0004   | MOMO00214 |                  | MOTOR 240V                   | 1,00 |           |         | --    |
| 0005   | VTVR00198 |                  | ROD                          | 3,00 |           |         | --    |
| 0006   | GUGO00272 |                  | GASKET VACUUM MOTOR CT       | 1,00 |           |         | --    |
| 0007   | MPVR04724 |                  | FLANGE IN NYLON              | 1,00 |           |         | --    |
| 0008   | MPVR31077 |                  | BUSHING L.450                | 1,00 |           | 06/2007 | --    |
| 0009   | FSVR00099 |                  | CLAMP FERMATUBO              | 1,00 |           |         | --    |
| 0010   | VTDD01694 |                  | NUT M6 INOX                  | 3,00 |           |         | --    |
| 0011   | VTRS13945 |                  | WASHER D. 6X18 INX UNI 6593  | 3,00 |           |         | --    |
| 0012   | LAFN51078 |                  | SPACER SH                    | 3,00 |           |         | --    |
| 0013   | VTVT00813 |                  | SCREW M 4X 8 TCB-TC UNI 8112 | 1,00 |           |         | --    |
| 0014   | TBFX00268 |                  | SUCTION HOSE D80 L=80MM      | 1,00 |           | 04/2007 | --    |
| 0014   | TBFX00312 |                  | TUBE ASPIRAZIONE             | 1,00 | 05/2007   |         | --    |
| 0015   | FSVR00118 |                  | CLAMP D.94                   | 1,00 | 05/2007   |         | --    |
| 0015   | FSVR00500 |                  | CLAMP 80-100 INOX            | 1,00 |           | 04/2007 | --    |
| 0017   | MPVR05103 |                  | SOUND-PROOFING ASPIRATORE    | 1,00 |           |         | --    |



| Ref. | K | Part N.   | Customer Part N. | Description                  | Qty  | Validity: |    | Price |
|------|---|-----------|------------------|------------------------------|------|-----------|----|-------|
|      |   |           |                  |                              |      | From      | To |       |
| 0001 |   | VTVT15906 |                  | SCREW TE 6X 12 A2 UNI 5739   | 7,00 |           |    | --    |
| 0002 |   | VTRS15144 |                  | WASHER D. 6 INX GRW UNI 1751 | 7,00 |           |    | --    |
| 0003 |   | MFVR00134 |                  | DRIVE DISK SPAZZOLE          | 1,00 |           |    | --    |
| 0004 |   | MOMO00239 |                  | MOTOR 230V                   | 1,00 |           |    | --    |
| 0005 |   | RCVR00761 |                  | HOSE FITTING A GOMITO        | 1,00 |           |    | --    |
| 0006 |   | FSVR00099 |                  | CLAMP FERMATUBO              | 1,00 |           |    | --    |
| 0007 |   | VTRS00515 |                  | WASHER D. 4 INX              | 1,00 |           |    | --    |
| 0008 |   | VTVT21887 |                  | SCREW TCB-TC 4X10 8112       | 1,00 |           |    | --    |

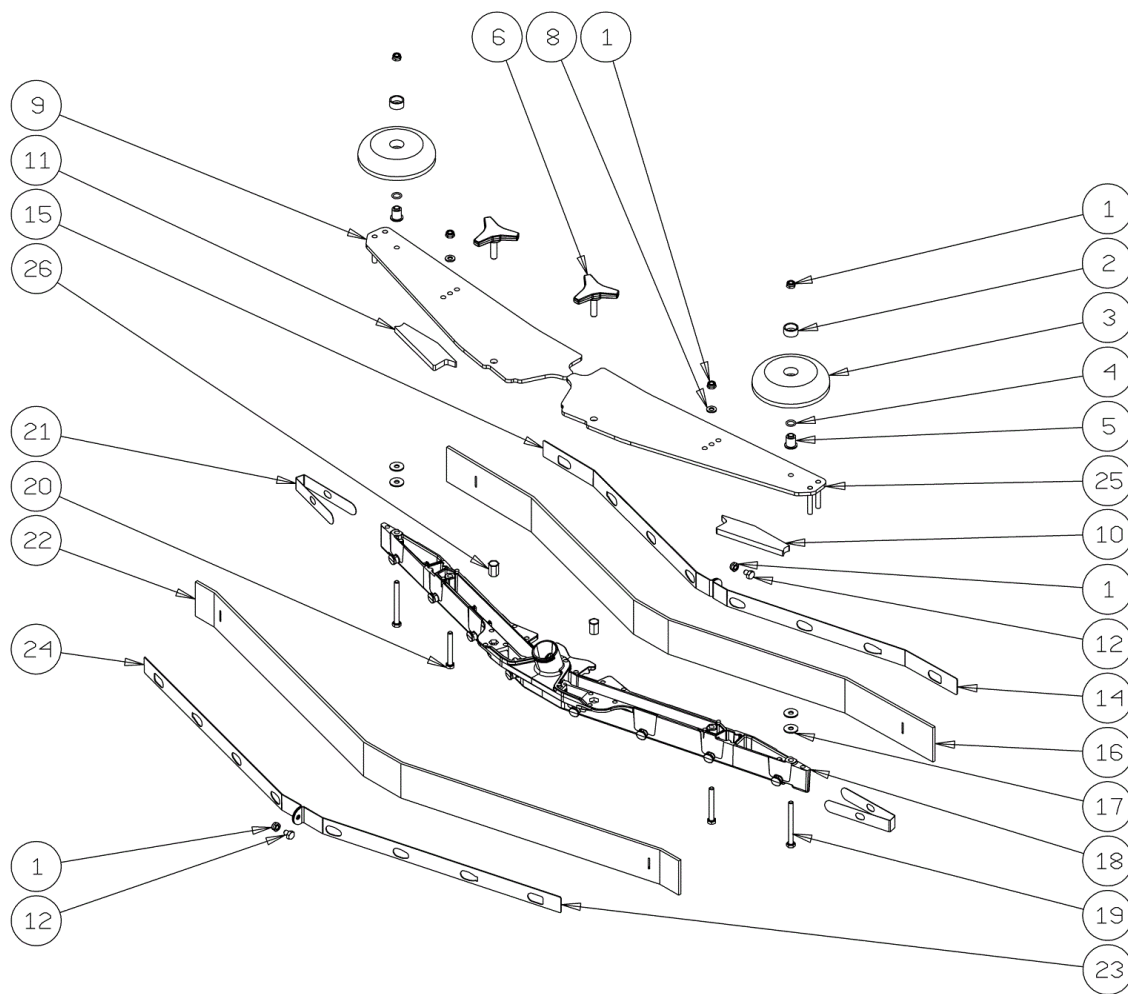


| Ref. | K | Part N.   | Customer Part N. | Description                        | Qty  | Validity: |         | Price |
|------|---|-----------|------------------|------------------------------------|------|-----------|---------|-------|
|      |   |           |                  |                                    |      | From      | To      |       |
| 0001 |   | LAFN06391 |                  | BUSHING PARALLELOGRAMMA            | 5,00 |           |         | --    |
| 0002 |   | VTVT24212 |                  | SCREW TE M 12X100 UNI 5737 INOX    | 1,00 |           |         | --    |
| 0003 |   | LAFN04190 |                  | BUSHING PARALLELOGR.TEST.GR.       | 2,00 |           |         | --    |
| 0004 |   | LAFN07872 |                  | LEVER -                            | 1,00 |           |         | --    |
| 0005 |   | LAFN07602 |                  | LEVER -                            | 1,00 |           | 06/2013 | --    |
| 0005 |   | LAFN09270 |                  | PEDALE -                           | 1,00 | 07/2013   |         | --    |
| 0006 |   | RTRT49171 |                  | CASTER D. 80-12                    | 1,00 |           |         | --    |
| 0007 |   | MPVR04734 |                  | BLOCK TERGI                        | 1,00 |           |         | --    |
| 0008 |   | LAFN09006 |                  | PIN -                              | 1,00 |           |         | --    |
| 0009 |   | LAFN51068 |                  | BUSHING LEVA POSTER.               | 1,00 |           |         | --    |
| 0010 |   | VTRS13946 |                  | WASHER D. 8 X24 INX UNI 6593       | 4,00 |           |         | --    |
| 0011 |   | VTVT00161 |                  | SCREW TE M6X20                     | 1,00 |           |         | --    |
| 0012 |   | LAFN10124 |                  | PLATE -                            | 1,00 |           |         | --    |
| 0013 |   | VTDD01695 |                  | NUT M 8 INX                        | 7,00 |           |         | --    |
| 0014 |   | LAFN07293 |                  | BASE SERBATOIO                     | 1,00 |           |         | --    |
| 0015 |   | RTRT00276 |                  | SMALL WHEEL GIREVOLE PER SPAZZANTE | 1,00 |           |         | --    |
| 0016 |   | LAFN05853 |                  | LEVER ARM SOLLEVAMENTO TERGI       | 2,00 |           |         | --    |
| 0017 |   | MLML34726 |                  | SPRING TR E350 N                   | 1,00 |           |         | --    |
| 0018 |   | VTDD15521 |                  | NUT M 8 INX A2 UNI 5588            | 1,00 |           |         | --    |
| 0019 |   | LAFN03840 |                  | BUSHING -                          | 1,00 |           |         | --    |
| 0020 |   | VTVT15917 |                  | SCREW TE M 8X50 INOX A2 UNI        | 1,00 |           |         | --    |
| 0021 |   | VTVT15907 |                  | SCREW TE 8X25 UNI5739 INX          | 3,00 |           |         | --    |
| 0022 |   | MLML00313 |                  | SPRING -                           | 1,00 |           |         | --    |
| 0023 |   | VTRS00274 |                  | WASHER NYLON 66 D.8,4-17-2 UNI     | 1,00 |           |         | --    |
| 0024 |   | MLML31130 |                  | SPRING D. 17.5 X110 N38            | 1,00 |           |         | --    |
| 0025 |   | VTVR35749 |                  | HANDWHEEL M 6MAX110 D.35           | 1,00 |           |         | --    |
| 0026 |   | MLML00303 |                  | SPRING REGISTRAZIONE FLAP          | 1,00 |           |         | --    |
| 0027 |   | LAFN06388 |                  | ARM TESTATA SUPERIORE              | 1,00 |           |         | --    |
| 0028 |   | LAFN06389 |                  | ARM PARALLELOGRAMMA                | 1,00 |           |         | --    |
| 0031 |   | VTVT00410 |                  | SCREW TE M8x35 UNI5739 INOX        | 1,00 |           |         | --    |
| 0032 |   | LAFN07560 |                  | PLATE -                            | 1,00 |           |         | --    |
| 0033 |   | MPVR05186 |                  | COVER -                            | 1,00 |           |         | --    |
| 0034 |   | VTRS15978 |                  | WASHER D.12X24 UNI 6592 INX        | 4,00 |           |         | --    |
| 0035 |   | VTDD00176 |                  | NUT M.12 INOX A2 BASSO AUTOB.      | 2,00 |           |         | --    |
| 0036 |   | VTVT00836 |                  | SCREW TE M12-60 INOX               | 1,00 |           |         | --    |
| 0037 |   | VTRS13947 |                  | WASHER D. 8 INX UNI 6592           | 4,00 |           |         | --    |
| 0040 |   | VTDD01694 |                  | NUT M6 INOX                        | 5,00 |           |         | --    |
| 0041 |   | VTRS00245 |                  | WASHER D.6 UNI 6592 INOX           | 1,00 |           |         | --    |
| 0042 |   | VTVT00410 |                  | SCREW TE M8x35 UNI5739 INOX        | 1,00 |           |         | --    |

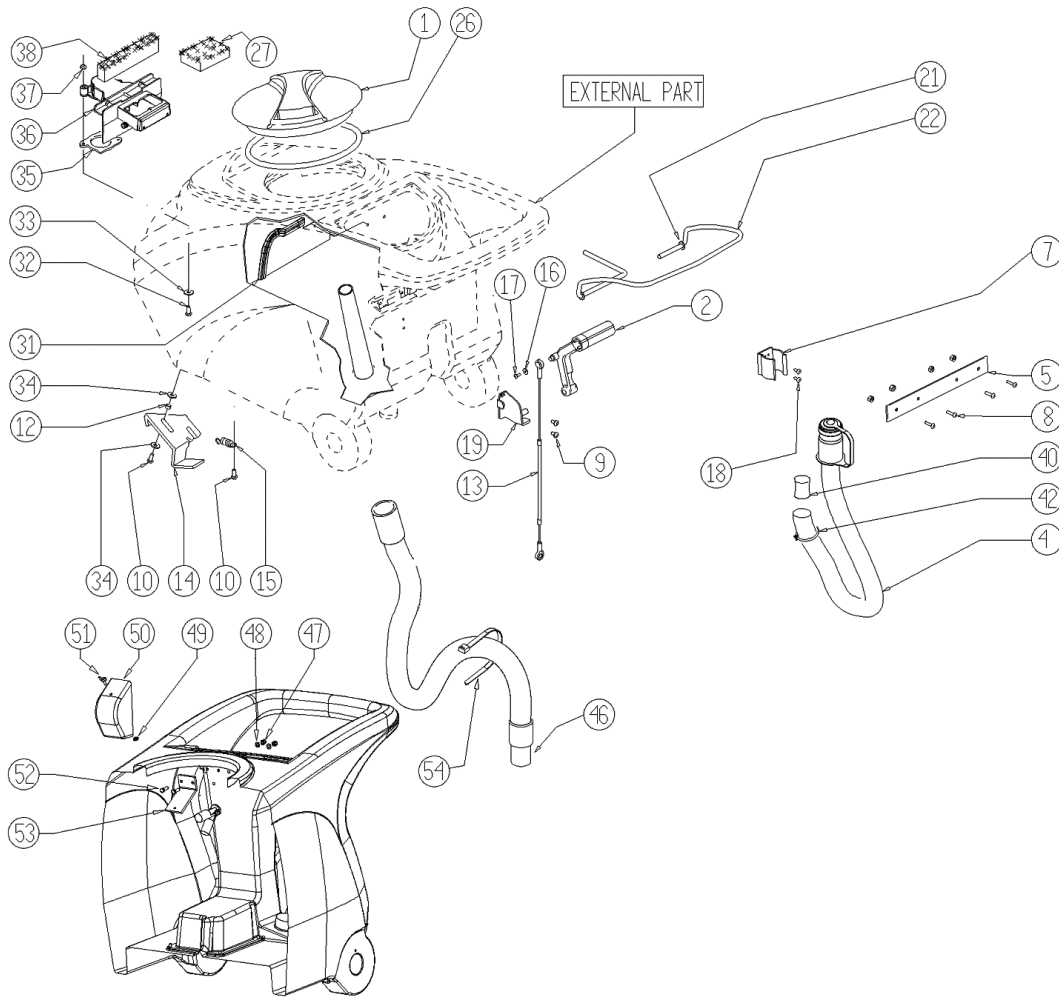


| Ref. | K | Part N.   | Customer Part N. | Description                   | Qty  | Validity: |    | Price |
|------|---|-----------|------------------|-------------------------------|------|-----------|----|-------|
|      |   |           |                  |                               |      | From      | To |       |
| 0043 |   | VTVT01683 |                  | SCREW TE 6X40                 | 3,00 |           |    | --    |
| 0044 |   | MPVR05134 |                  | GASKET D.60 FORO D.12 SP.2    | 1,00 |           |    | --    |
| 0045 |   | VTVT01684 |                  | SCREW TE 6X45                 | 1,00 |           |    | --    |
| 0046 |   | LAFN06898 |                  | SPACER 6-8 h15                | 1,00 |           |    | --    |
| 0047 |   | VTVT13937 |                  | SCREW TE M 8X 30 INX UNI 5739 | 2,00 |           |    | --    |
| 0048 |   | LAFN08999 |                  | BRACKET -                     | 1,00 |           |    | --    |
| 0049 |   | VTVT13938 |                  | SCREW TE 8X20 UNI5739 INX     | 1,00 |           |    | --    |
| 0050 |   | VTRS13945 |                  | WASHER D. 6X18 INX UNI 6593   | 1,00 |           |    | --    |
| 0051 |   | LAFN35747 |                  | SPRING SUPPORT LAV. E/B 450   | 1,00 |           |    | --    |
| 0052 |   | VTRS15146 |                  | WASHER D. 8 INX GRW UNI 1751  | 1,00 | 03/2013   |    | --    |

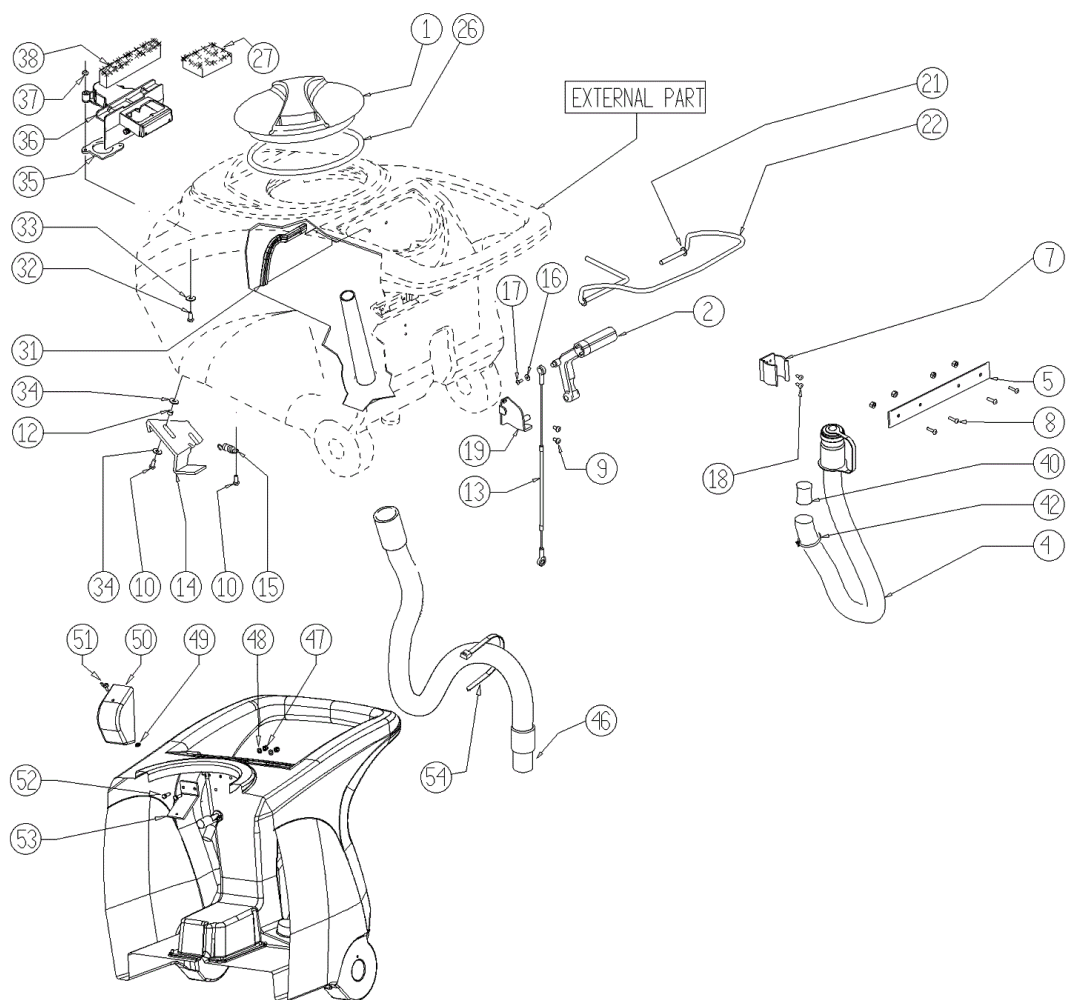




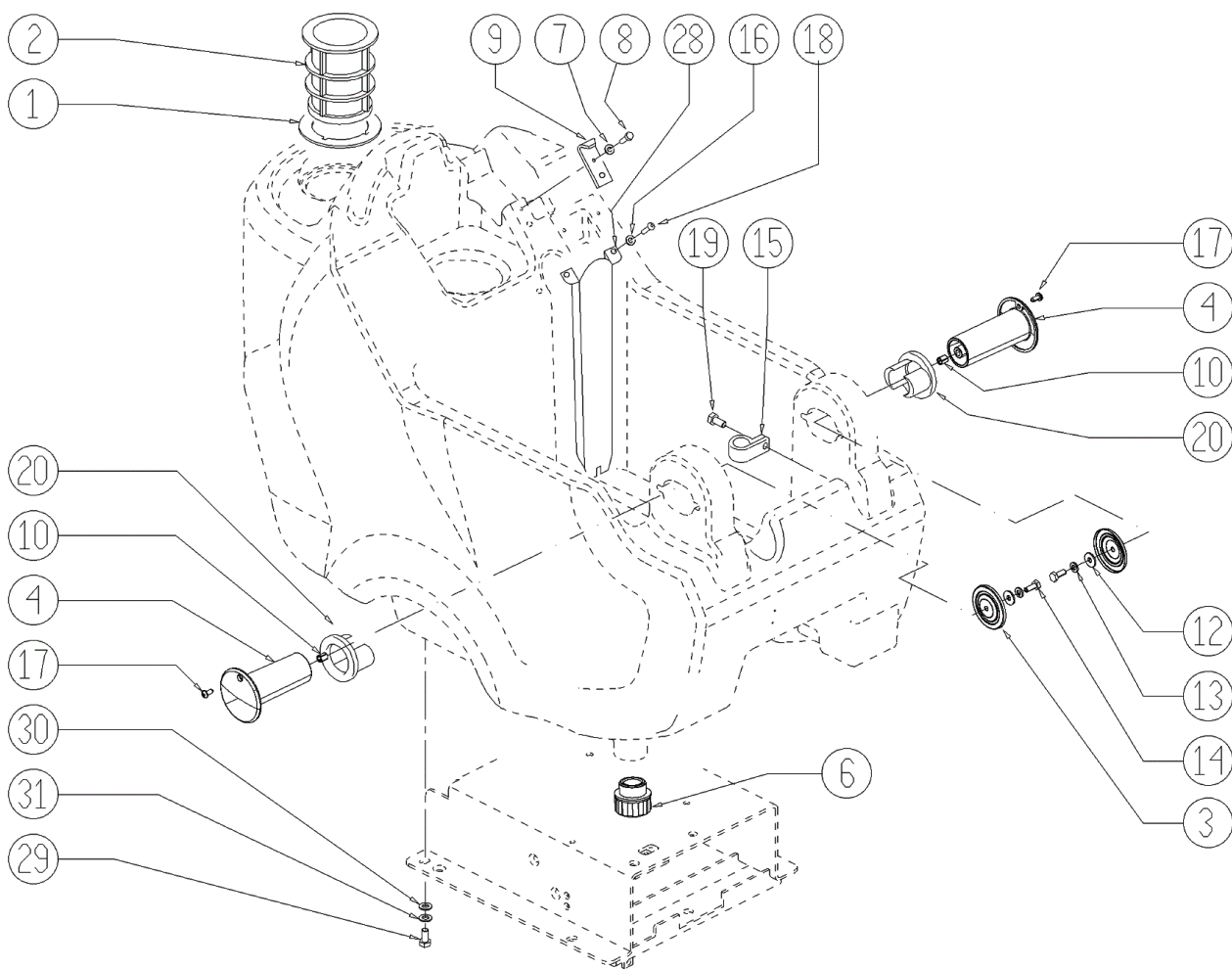
| Ref. | K | Part N.   | Customer Part N. | Description                      | Qty  | Validity: |         | Price |
|------|---|-----------|------------------|----------------------------------|------|-----------|---------|-------|
|      |   |           |                  |                                  |      | From      | To      |       |
| 0001 |   | VTDD01694 |                  | NUT M6 INOX                      | 6,00 |           |         | --    |
| 0002 |   | MPVR49229 |                  | BUSHING SHK                      | 2,00 |           |         | --    |
| 0003 |   | MPVR05290 |                  | ROLLER PARACOLPI                 | 2,00 |           |         | --    |
| 0004 |   | GUGO00164 |                  | GASKET                           | 2,00 |           |         | --    |
| 0005 |   | LAFN04100 |                  | SPACER PER RUOTINO PARACOLPI     | 2,00 |           |         | --    |
| 0006 |   | MPVR06003 |                  | KNOB AISI 304                    | 2,00 |           | 03/2013 | --    |
| 0006 |   | MPVR06004 |                  | KNOB AISI 304                    | 2,00 | 03/2013   |         | --    |
| 0008 |   | VTRS00245 |                  | WASHER D.6 UNI 6592 INOX         | 2,00 |           |         | --    |
| 0009 |   | LAFN09012 |                  | PLATE -                          | 1,00 |           |         | --    |
| 0010 |   | GUVR00301 |                  | GASKET -                         | 1,00 |           |         | --    |
| 0011 |   | GUVR00300 |                  | GASKET -                         | 1,00 |           |         | --    |
| 0012 |   | VTVT01161 |                  | SCREW M6x8                       | 2,00 |           |         | --    |
| 0014 |   | LAFN08948 |                  | BRACKET -                        | 1,00 |           |         | --    |
| 0015 |   | LAFN08949 |                  | BRACKET -                        | 1,00 |           |         | --    |
| 0016 |   | MPVR05800 |                  | RUBBER BLADE FRONT SQUEEGEE S PU | 1,00 |           |         | --    |
| 0017 |   | VTRS13945 |                  | WASHER D. 6X18 INX UNI 6593      | 4,00 |           |         | --    |
| 0018 |   | KTRI02048 |                  | BODY SQUEEGEE PRESSOFUSO "S"     | 1,00 |           |         | --    |
| 0019 |   | VTVT00841 |                  | SCREW TE M 6X65 UNI 5739 INX     | 2,00 |           |         | --    |
| 0020 |   | VTVT15515 |                  | SCREW TE M 6X 50 INOX A2         | 2,00 |           |         | --    |
| 0021 |   | MPVR05897 |                  | CLOSURE S                        | 2,00 |           |         | --    |
| 0022 |   | MPVR05802 |                  | RUBBER REAR SQUEEGEE S PU        | 1,00 |           |         | --    |
| 0023 |   | LAFN08950 |                  | BRACKET -                        | 1,00 |           |         | --    |
| 0024 |   | LAFN08951 |                  | BRACKET -                        | 1,00 |           |         | --    |
| 0025 |   | LAFN09013 |                  | PLATE -                          | 1,00 |           |         | --    |
| 0026 |   | VTVR00565 |                  | INSERT -                         | 2,00 |           |         | --    |



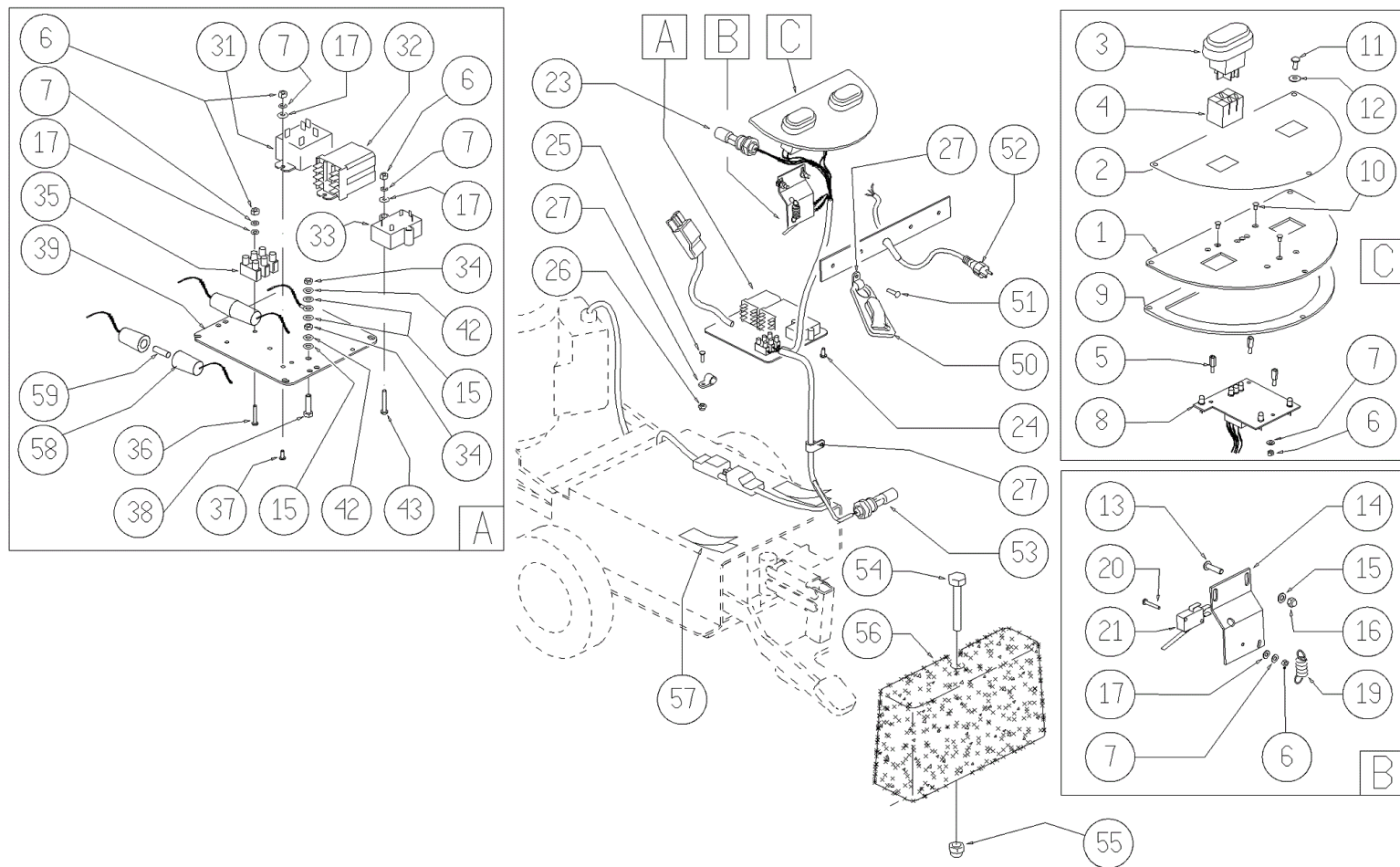
| Ref. | K | Part N.   | Customer Part N. | Description                     | Qty  | Validity: |         | Price |
|------|---|-----------|------------------|---------------------------------|------|-----------|---------|-------|
|      |   |           |                  |                                 |      | From      | To      |       |
| 0001 |   | MPVR04051 |                  | TANK CAP                        | 1,00 |           |         | --    |
| 0002 |   | MPVR49942 |                  | LEVER SHK PP                    | 1,00 |           |         | --    |
| 0003 |   | VTDD01694 |                  | NUT M6 INOX                     | 4,00 |           |         | --    |
| 0004 |   | TBFX00348 |                  | TUBE CT40-70-90 HOSE DRAIN      | 1,00 |           | 04/2013 | --    |
| 0004 |   | TBFX00358 |                  | TUBE PU CT40/70/90              | 1,00 | 04/2013   |         | --    |
| 0005 |   | LAFN05865 |                  | PLATE COPRILEVA CONSENSO        | 1,00 |           |         | --    |
| 0007 |   | MPVR46988 |                  | CLIP LAV. SHK                   | 1,00 |           |         | --    |
| 0008 |   | VTVT07725 |                  | SCREW TE 5X16 UNI5739 INX       | 4,00 |           |         | --    |
| 0009 |   | VTVT15906 |                  | SCREW TE 6X 12 A2 UNI 5739      | 2,00 |           |         | --    |
| 0010 |   | VTVT15143 |                  | SCREW TE 6X16 UNI5739           | 3,00 |           |         | --    |
| 0012 |   | LAFN03626 |                  | SPACER                          | 1,00 |           |         | --    |
| 0013 |   | CMCV00361 |                  | CABLE -                         | 1,00 |           |         | --    |
| 0014 |   | LAFN06490 |                  | HANDLE                          | 1,00 |           |         | --    |
| 0015 |   | MLML00203 |                  | SPRING                          | 1,00 |           |         | --    |
| 0016 |   | VTRS00251 |                  | WASHER 4-16 INOX A2             | 1,00 |           |         | --    |
| 0017 |   | VTVT00800 |                  | SCREW TC 4X12 ZN                | 1,00 |           |         | --    |
| 0018 |   | VTVT21096 |                  | SCREW TE M 4X 10 INX            | 2,00 |           |         | --    |
| 0019 |   | LAFN05870 |                  | BRACKET LEVA SOLLEVAM. SQUEEGEE | 1,00 |           |         | --    |
| 0021 |   | VTRS13947 |                  | WASHER D. 8 INX UNI 6592        | 2,00 |           |         | --    |
| 0022 |   | LAFN05861 |                  | LEVER CONSENSO SPAZZOLE         | 1,00 |           |         | --    |
| 0026 |   | GUGO00263 |                  | GASKET CIRCOLARE TAPPO          | 1,00 |           |         | --    |
| 0027 |   | FTDP00133 |                  | FILTER                          | 1,00 |           |         | --    |
| 0031 |   | MPVR07074 |                  | PLATE -                         | 1,00 |           |         | --    |
| 0032 |   | VTVT00814 |                  | SCREW TE M.4-25                 | 2,00 |           |         | --    |
| 0033 |   | VTRS00515 |                  | WASHER D. 4 INX                 | 2,00 |           |         | --    |
| 0034 |   | VTRS00274 |                  | WASHER NYLON 66 D.8,4-17-2 UNI  | 4,00 |           |         | --    |
| 0035 |   | GUGO00417 |                  | GASKET SCATOLA ASPIRAZIONE      | 1,00 |           |         | --    |
| 0036 |   | MPVR05482 |                  | BOX -                           | 1,00 |           |         | --    |
| 0037 |   | VTDD15925 |                  | NUT M 4 INX                     | 2,00 |           |         | --    |
| 0038 |   | GUGO00418 |                  | GASKET CONDOTTO ASPIRAZIONE     | 1,00 |           |         | --    |
| 0040 |   | GUGO00245 |                  | GASKET                          | 2,00 |           |         | --    |
| 0042 |   | FSVR43136 |                  | CLAMP D. 35-40 DF.              | 1,00 |           |         | --    |
| 0046 |   | TBFX00353 |                  | TUBE PU CT70-CT90               | 1,00 |           |         | --    |
| 0047 |   | VTDD01693 |                  | NUT M 5 INX                     | 2,00 |           |         | --    |
| 0048 |   | VTRS00516 |                  | WASHER D. 5 INX                 | 4,00 |           |         | --    |
| 0049 |   | VTVR01038 |                  | WASHER -                        | 1,00 |           |         | --    |
| 0050 |   | MPVR05596 |                  | PROTECTION -                    | 1,00 |           |         | --    |
| 0051 |   | VTVT01150 |                  | SCREW 4x10                      | 1,00 |           |         | --    |
| 0052 |   | VTVT07726 |                  | SCREW TE 5X20                   | 2,00 |           |         | --    |



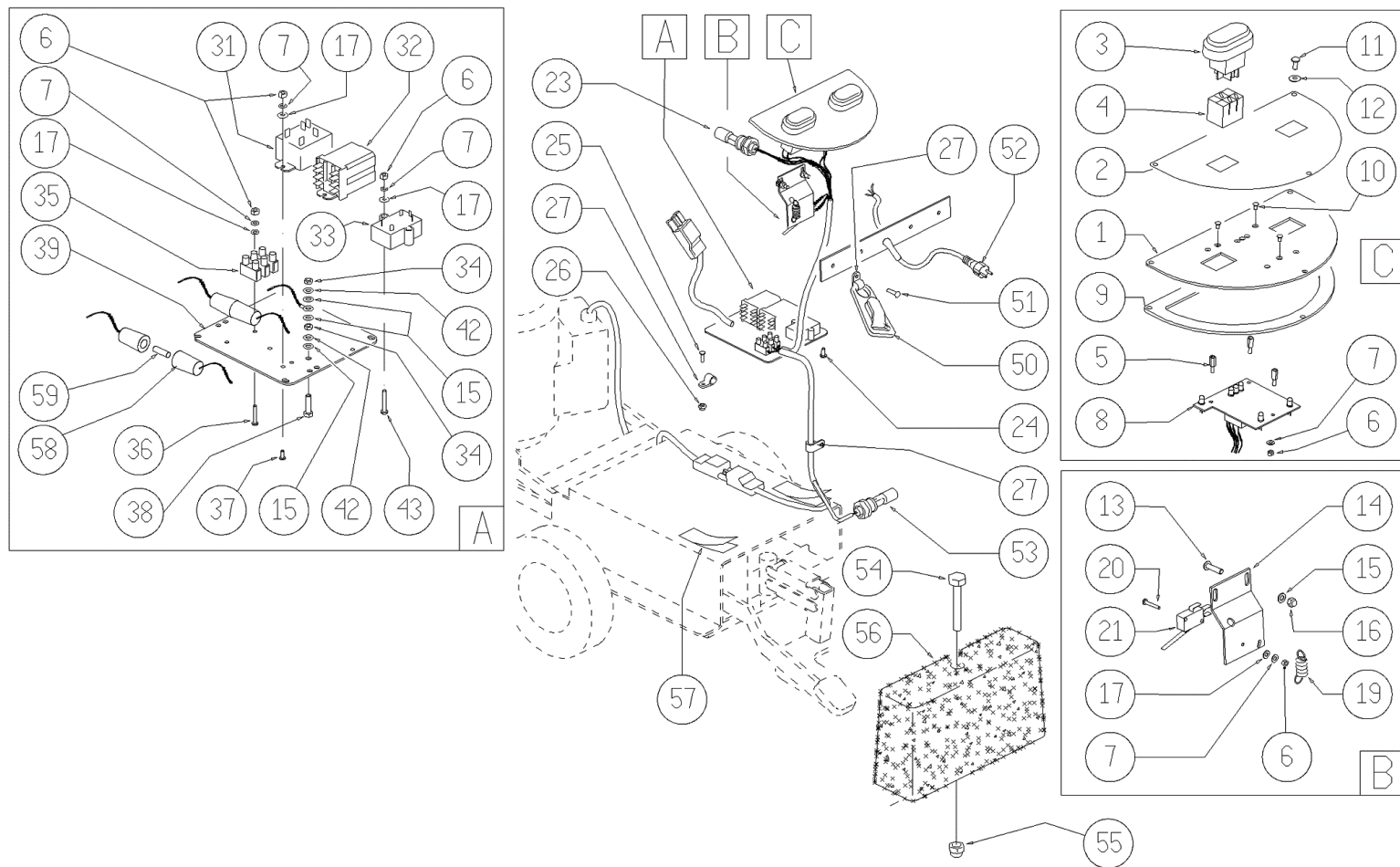
| Ref. | K | Part N.   | Customer Part N. | Description | Qty  | Validity: |    | Price |
|------|---|-----------|------------------|-------------|------|-----------|----|-------|
|      |   |           |                  |             |      | From      | To |       |
| 0053 |   | LAFN07631 |                  | BRACKET -   | 1,00 |           |    | --    |
| 0054 |   | FSVR00248 |                  | CLAMP -     | 1,00 |           |    | --    |



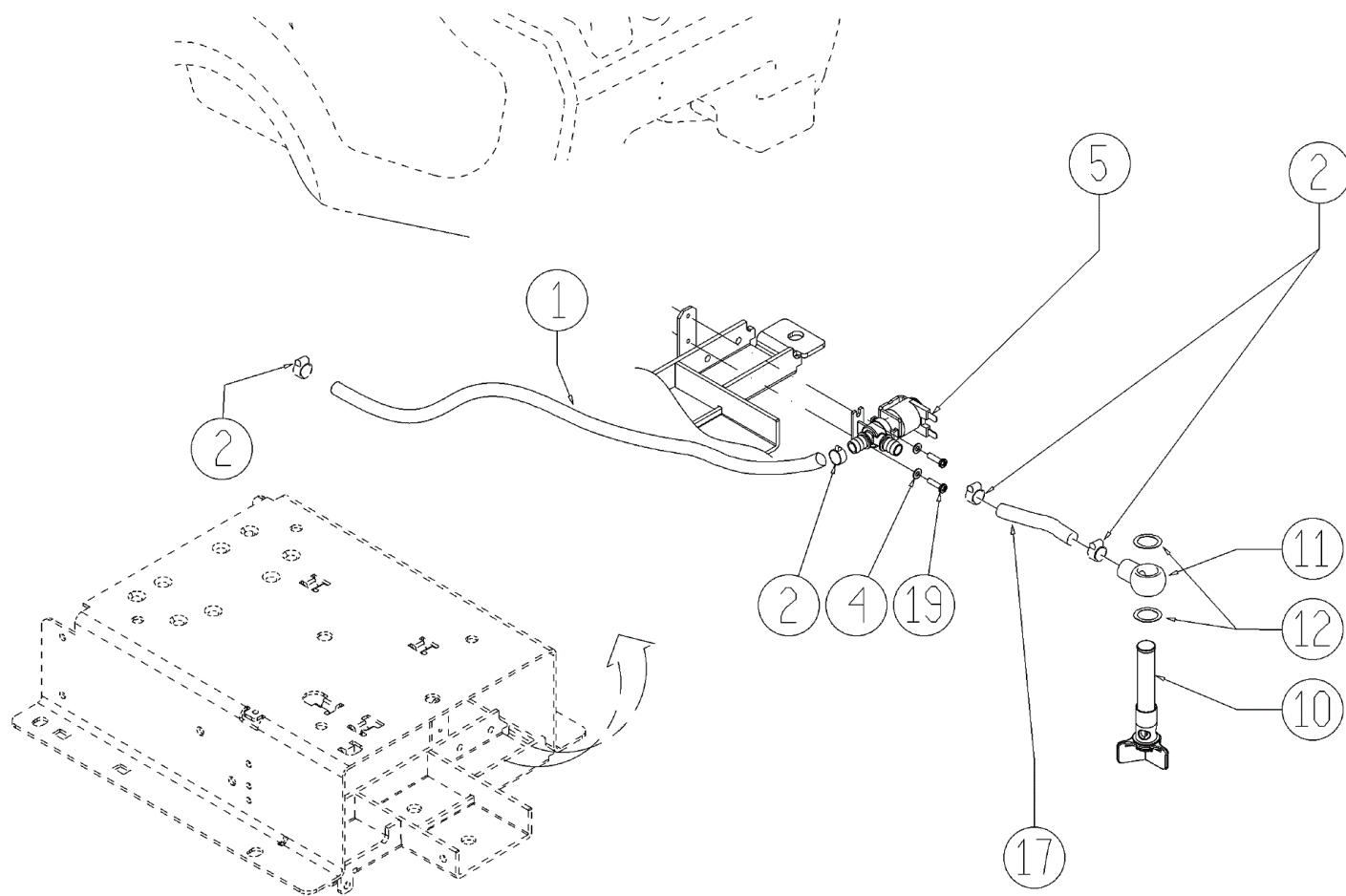
| Ref. | K | Part N.   | Customer Part N. | Description                    | Qty  | Validity: |    | Price |
|------|---|-----------|------------------|--------------------------------|------|-----------|----|-------|
|      |   |           |                  |                                |      | From      | To |       |
| 0001 |   | GUGO00267 |                  | GASKET FILTRO                  | 1,00 |           |    | --    |
| 0002 |   | FTAC48857 |                  | FILTER ASP. ACQUA SERB. LAVAP. | 1,00 |           |    | --    |
| 0003 |   | LAFN07800 |                  | SHEET METAL PA.-               | 2,00 |           |    | --    |
| 0004 |   | MPVR48695 |                  | PIN SHK.BK                     | 2,00 |           |    | --    |
| 0006 |   | MPVR08003 |                  | CAP                            | 1,00 |           |    | --    |
| 0007 |   | VTRS15144 |                  | WASHER D. 6 INX GRW UNI 1751   | 1,00 |           |    | --    |
| 0008 |   | VTVT01303 |                  | SCREW TE M6-10 INOX            | 1,00 |           |    | --    |
| 0009 |   | LAFN06489 |                  | PLATE                          | 1,00 |           |    | --    |
| 0010 |   | VTVR48693 |                  | INSERT M6 D.9                  | 1,00 |           |    | --    |
| 0012 |   | VTRS13945 |                  | WASHER D. 6X18 INX UNI 6593    | 2,00 |           |    | --    |
| 0013 |   | VTRS15144 |                  | WASHER D. 6 INX GRW UNI 1751   | 2,00 |           |    | --    |
| 0014 |   | VTVT15143 |                  | SCREW TE 6X16 UNI5739          | 2,00 |           |    | --    |
| 0015 |   | FSVR00099 |                  | CLAMP FERMATUBO                | 2,00 |           |    | --    |
| 0016 |   | VTRS00515 |                  | WASHER D. 4 INX                | 2,00 |           |    | --    |
| 0017 |   | VTVT48694 |                  | SCREW TCB TC 5 X12 UNI 9707 TZ | 2,00 |           |    | --    |
| 0018 |   | VTVT37012 |                  | SCREW M 4X 10 TCB-TC INX       | 2,00 |           |    | --    |
| 0019 |   | VTVT15961 |                  | SCREW M 5X 16 TCB TC UNI 7687  | 1,00 |           |    | --    |
| 0020 |   | PMVR02028 |                  | RUBBER GRUPPO MONTAGGIO        | 2,00 |           |    | --    |
| 0028 |   | MPVR51085 |                  | FLAP POSTER.TERGI 950 MAGG.    | 1,00 |           |    | --    |
| 0029 |   | VTVT15916 |                  | SCREW TE M 8X 16 UNI 5739 A2   | 4,00 |           |    | --    |
| 0030 |   | VTRS13947 |                  | WASHER D. 8 INX UNI 6592       | 4,00 |           |    | --    |
| 0031 |   | VTRS00269 |                  | WASHER D. 8 DIN 6798-A INX A2  | 4,00 |           |    | --    |



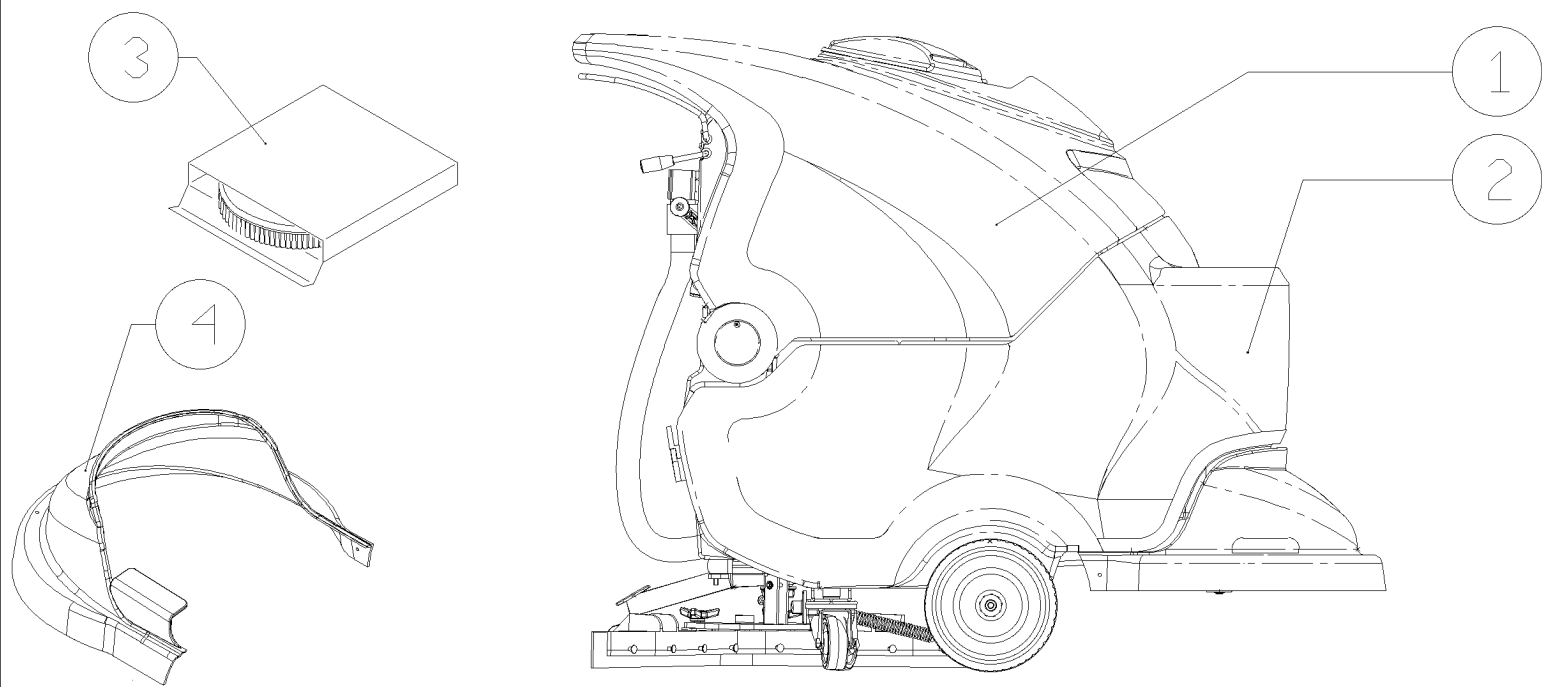
| Ref. | K | Part N.   | Customer Part N. | Description                           | Qty   | Validity:<br>From To | Price |
|------|---|-----------|------------------|---------------------------------------|-------|----------------------|-------|
| 0001 |   | LAFN06488 |                  | SHEET METAL PA.PANNELLO COMANDI       | 1,00  |                      | --    |
| 0002 |   | ETET01379 |                  | LABEL CLT 40 230V                     | 1,00  |                      | --    |
| 0003 |   | MECI00383 |                  | SWITCH TTR/L BIP. 230V                | 2,00  |                      | --    |
| 0004 |   | MECI00384 |                  | BASE 401                              | 2,00  |                      | --    |
| 0005 |   | LAFN04047 |                  | SPACER X SCHEDE M3 15x8x8             | 3,00  |                      | --    |
| 0006 |   | VTDD21115 |                  | NUT M 3 INOX                          | 13,00 |                      | --    |
| 0007 |   | VTRS00268 |                  | WASHER D.3                            | 13,00 |                      | --    |
| 0008 |   | MECE00397 |                  | BOARD CT40 C 230V                     | 1,00  |                      | --    |
| 0009 |   | GUGO38417 |                  | GASKET PANN.COM.EXTREME               | 1,00  |                      | --    |
| 0010 |   | VTVT00865 |                  | SCREW TSP-TC M 3X 6 UNI7688 INX       | 3,00  |                      | --    |
| 0011 |   | VTVT37012 |                  | SCREW M 4X 10 TCB-TC INX              | 3,00  |                      | --    |
| 0012 |   | VTRS00515 |                  | WASHER D. 4 INX                       | 3,00  |                      | --    |
| 0013 |   | VTVT07725 |                  | SCREW TE 5X16 UNI5739 INX             | 2,00  |                      | --    |
| 0014 |   | LAFN05904 |                  | PLATE MICRO LEVA                      | 1,00  |                      | --    |
| 0015 |   | VTRS00516 |                  | WASHER D. 5 INX                       | 5,00  |                      | --    |
| 0016 |   | VTDD15517 |                  | NUT M 5 INX                           | 2,00  |                      | --    |
| 0017 |   | VTRS21116 |                  | WASHER D. 3 INX                       | 8,00  |                      | --    |
| 0019 |   | MLML34726 |                  | SPRING TR E350 N                      | 1,00  |                      | --    |
| 0020 |   | VTVT01316 |                  | SCREW TC+ M3-16                       | 2,00  |                      | --    |
| 0021 |   | MECI36393 |                  | MICROSWITCH TRZ. DRW                  | 1,00  |                      | --    |
| 0023 |   | MECI00516 |                  | SENSOR DI LIVELLO ORIZZONTALE         | 1,00  |                      | --    |
| 0024 |   | VTVT07521 |                  | SCREW TCB 5X10                        | 4,00  |                      | --    |
| 0025 |   | VTVT00681 |                  | SCREW                                 | 2,00  |                      | --    |
| 0026 |   | VTDD15925 |                  | NUT M 4 INX                           | 2,00  |                      | --    |
| 0027 |   | FSVR00099 |                  | CLAMP FERMATUBO                       | 4,00  |                      | --    |
| 0031 |   | MERL00005 |                  | SWITCH RELAY finder 230v-50hz         | 1,00  |                      | --    |
| 0032 |   | MERL48877 |                  | RELAY 628282300000 230V               | 1,00  |                      | --    |
| 0033 |   | MECE31132 |                  | FILTER LC LAVAM. FL.                  | 1,00  |                      | --    |
| 0034 |   | VTDD07727 |                  | NUT M 5 INOX                          | 2,00  |                      | --    |
| 0035 |   | MEVR01110 |                  | TERMINAL BOARD 3 POS PA27             | 1,00  |                      | --    |
| 0036 |   | VTVT00633 |                  | SCREW M 3X 20 TCB-TC BK.U.7687        | 2,00  |                      | --    |
| 0037 |   | VTVT00722 |                  | SCREW                                 | 4,00  |                      | --    |
| 0038 |   | VTVT00766 |                  | SCREW TE M. 5-25                      | 1,00  |                      | --    |
| 0039 |   | LAFN06549 |                  | PLATE CABLAGGIO PRINCIPALE CLT        | 1,00  |                      | --    |
| 0042 |   | VTRS15908 |                  | WASHER D. 5 INX GRW UNI 1751          | 2,00  |                      | --    |
| 0043 |   | VTVT00765 |                  | CARRYNG BAG                           | 2,00  |                      | --    |
| 0050 |   | MEVR01252 |                  | CUT PREVENTER CAVO ELETTRICO TIPO 500 | 1,00  |                      | --    |
| 0051 |   | VTVT15961 |                  | SCREW M 5X 16 TCB TC UNI 7687         | 4,00  |                      | --    |
| 0052 |   | MECB00945 |                  | CABLE ALIMENTAZ. 3X1.5 L=650          | 1,00  |                      | --    |



| Ref. | K | Part N.   | Customer Part N. | Description                     | Qty  | Validity: |    | Price |
|------|---|-----------|------------------|---------------------------------|------|-----------|----|-------|
|      |   |           |                  |                                 |      | From      | To |       |
| 0053 |   | MECI00516 |                  | SENSOR DI LIVELLO ORIZZONTALE   | 1,00 |           |    | --    |
| 0054 |   | VTVT24212 |                  | SCREW TE M 12X100 UNI 5737 INOX | 1,00 |           |    | --    |
| 0055 |   | VTDD00176 |                  | NUT M.12 INOX A2 BASSO AUTOB.   | 1,00 |           |    | --    |
| 0056 |   | MFVR00204 |                  | WEIGHT                          | 1,00 |           |    | --    |
| 0057 |   | GUGO00009 |                  | MOUSSE                          | 2,00 |           |    | --    |
| 0058 |   | MEVR01401 |                  | FUSE CARRIER VOLANTE OMEGA      | 2,00 |           |    | --    |
| 0059 |   | MEVR02825 |                  | FUSE 5X20 5A                    | 2,00 |           |    | --    |

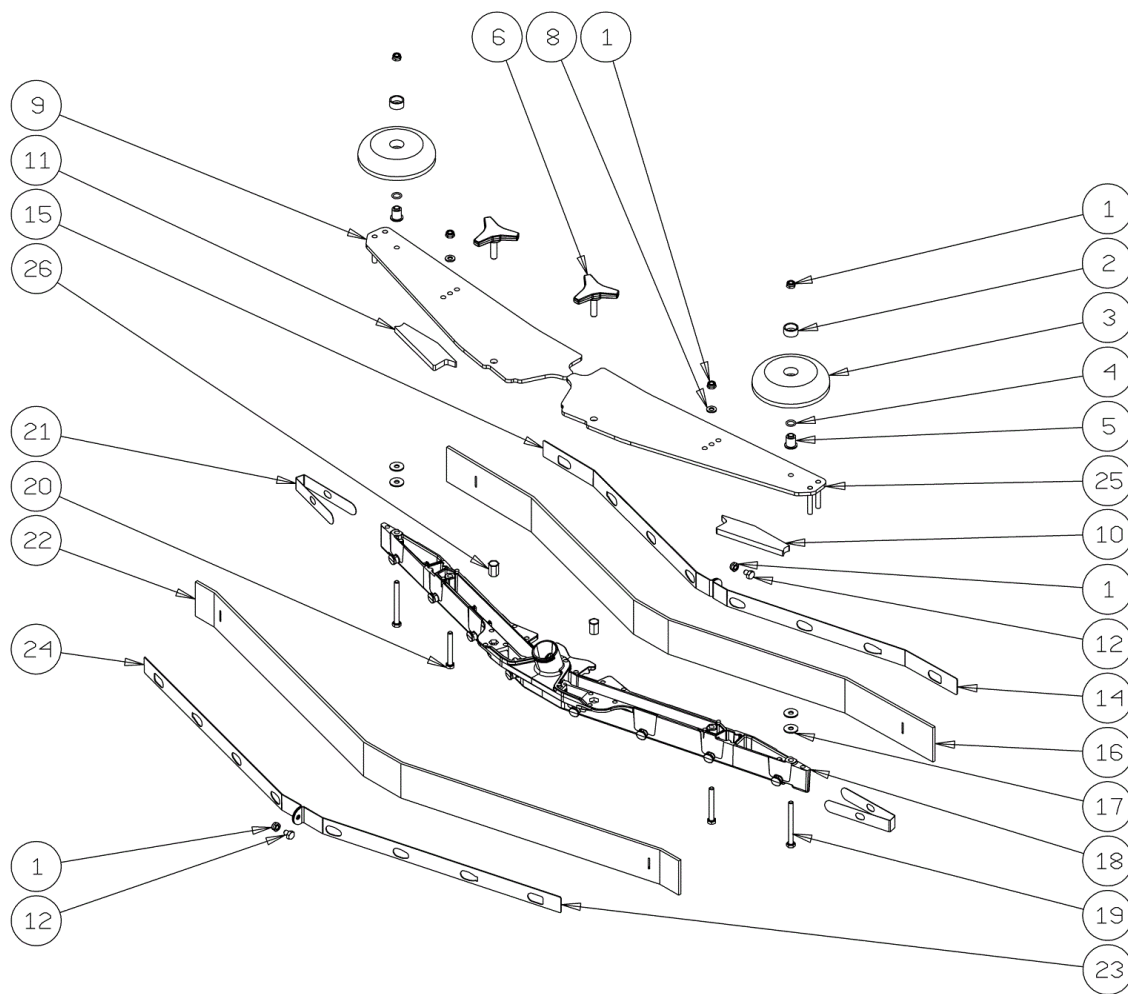


| Ref. | K | Part N.   | Customer Part N. | Description                    | Qty  | Validity: |         | Price |
|------|---|-----------|------------------|--------------------------------|------|-----------|---------|-------|
|      |   |           |                  |                                |      | From      | To      |       |
| 0001 |   | TBFX48011 |                  | TUBE FLEX D.12X3 ARMORV.PVC TR | 0,71 |           |         | --    |
| 0002 |   | FSVR00428 |                  | CLAMP D. 12-20                 | 4,00 |           |         | --    |
| 0004 |   | VTRS00515 |                  | WASHER D. 4 INX                | 2,00 |           |         | --    |
| 0005 |   | MEEV00031 |                  | SOLENOID VALVE                 | 1,00 |           |         | --    |
| 0010 |   | MPVR05221 |                  | FILTER COMPLETO                | 1,00 |           | 02/2013 | --    |
| 0010 |   | MPVR06303 |                  | FILTER CT40-70-90              | 1,00 | 02/2013   |         | --    |
| 0011 |   | LAFN07783 |                  | CONNECTOR -                    | 1,00 |           |         | --    |
| 0012 |   | VTRS00567 |                  | WASHER 1/2                     | 2,00 |           |         | --    |
| 0017 |   | TBFX48011 |                  | TUBE FLEX D.12X3 ARMORV.PVC TR | 0,17 |           |         | --    |
| 0019 |   | VTVT01158 |                  | SCREW M4x16                    | 2,00 |           |         | --    |

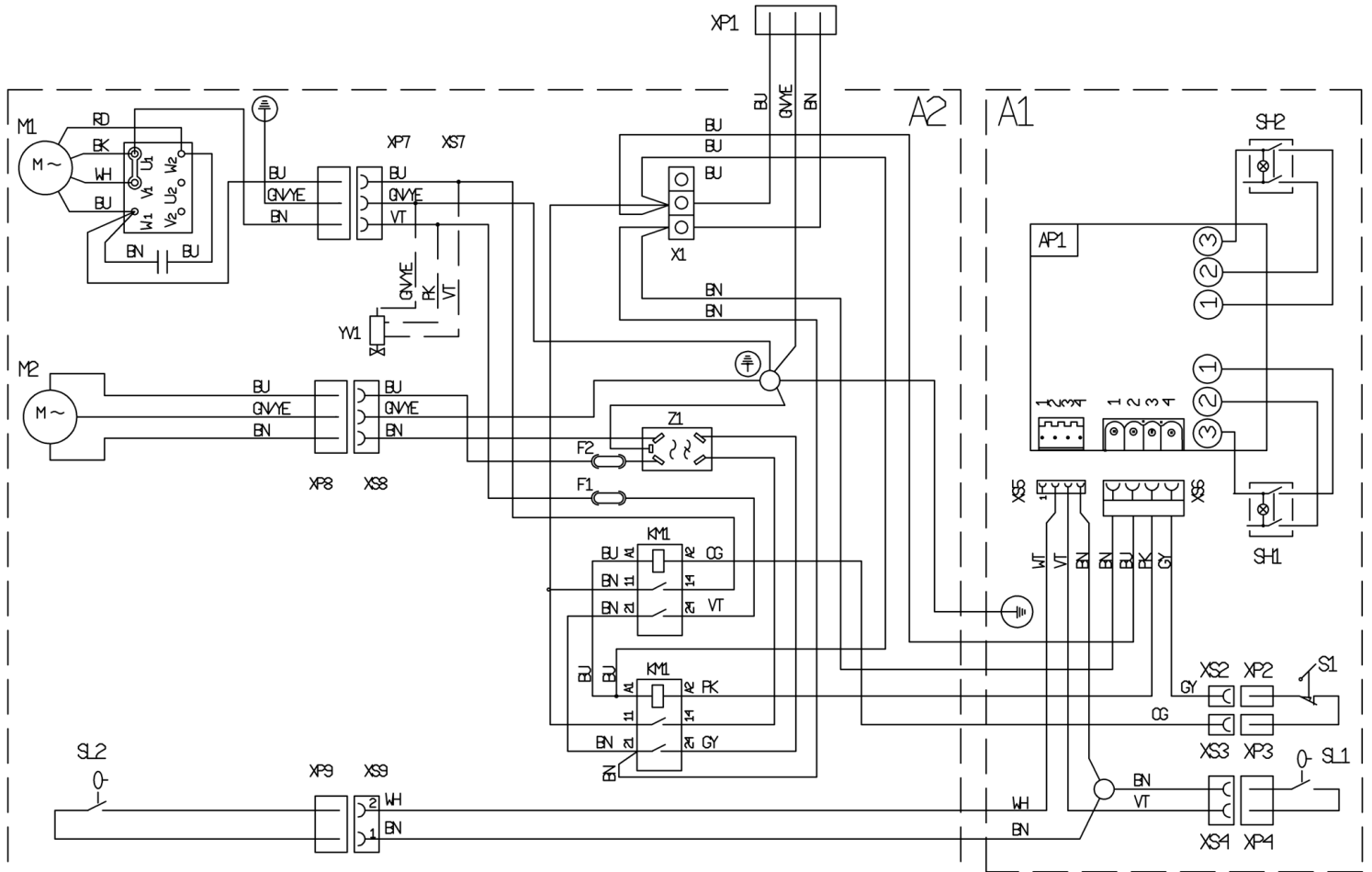


| Ref. | K | Part N.   | Customer Part N. | Description                    | Qty  | Validity: |    | Price |
|------|---|-----------|------------------|--------------------------------|------|-----------|----|-------|
|      |   |           |                  |                                |      | From      | To |       |
| 0001 |   | MPVR07066 |                  | TANK RECOVERY CT40 PANTONE 368 | 1,00 |           |    | --    |
| 0002 |   | MPVR05090 |                  | TANK SOLUTION RAL7024          | 1,00 |           |    | --    |
| 0003 |   | SPPV43963 |                  | BRUSH NYL 0.8 500              | 1,00 |           |    | --    |
| 0004 |   | MPVR04722 |                  | BRUSH PROTECT. 55              | 1,00 |           |    | --    |





| Ref. | K | Part N.   | Customer Part N. | Description                  | Qty  | Validity: |         | Price |
|------|---|-----------|------------------|------------------------------|------|-----------|---------|-------|
|      |   |           |                  |                              |      | From      | To      |       |
| 0001 |   | VTDD01694 |                  | NUT M6 INOX                  | 6,00 |           |         | --    |
| 0002 |   | MPVR49229 |                  | BUSHING SHK                  | 2,00 |           |         | --    |
| 0003 |   | MPVR05290 |                  | ROLLER PARACOLPI             | 2,00 |           |         | --    |
| 0004 |   | GUGO00164 |                  | GASKET                       | 2,00 |           |         | --    |
| 0005 |   | LAFN04100 |                  | SPACER PER RUOTINO PARACOLPI | 2,00 |           |         | --    |
| 0006 |   | MPVR06003 |                  | KNOB AISI 304                | 2,00 |           | 03/2013 | --    |
| 0006 |   | MPVR06004 |                  | KNOB AISI 304                | 2,00 | 03/2013   |         | --    |
| 0008 |   | VTRS00245 |                  | WASHER D.6 UNI 6592 INOX     | 2,00 |           |         | --    |
| 0009 |   | LAFN09012 |                  | PLATE -                      | 1,00 |           |         | --    |
| 0010 |   | GUVR00301 |                  | GASKET -                     | 1,00 |           |         | --    |
| 0011 |   | GUVR00300 |                  | GASKET -                     | 1,00 |           |         | --    |
| 0012 |   | VTVT01161 |                  | SCREW M6x8                   | 2,00 |           |         | --    |
| 0014 |   | LAFN08948 |                  | BRACKET -                    | 1,00 |           |         | --    |
| 0015 |   | LAFN08949 |                  | BRACKET -                    | 1,00 |           |         | --    |
| 0016 |   | MPVR08039 |                  | BLADE S LATEX                | 1,00 |           |         | --    |
| 0017 |   | VTRS13945 |                  | WASHER D. 6X18 INX UNI 6593  | 4,00 |           |         | --    |
| 0018 |   | KTRI02048 |                  | BODY SQUEEGEE PRESSOFUSO "S" | 1,00 |           |         | --    |
| 0019 |   | VTVT00841 |                  | SCREW TE M 6X65 UNI 5739 INX | 2,00 |           |         | --    |
| 0020 |   | VTVT15515 |                  | SCREW TE M 6X 50 INOX A2     | 2,00 |           |         | --    |
| 0021 |   | MPVR05897 |                  | CLOSURE S                    | 2,00 |           |         | --    |
| 0022 |   | MPVR08035 |                  | BLADE S LATEX                | 1,00 |           |         | --    |
| 0023 |   | LAFN08950 |                  | BRACKET -                    | 1,00 |           |         | --    |
| 0024 |   | LAFN08951 |                  | BRACKET -                    | 1,00 |           |         | --    |
| 0025 |   | LAFN09013 |                  | PLATE -                      | 1,00 |           |         | --    |
| 0026 |   | VTVR00565 |                  | INSERT -                     | 2,00 |           |         | --    |



| Ref. | K | Part N.   | Customer Part N. | Description                    | Qty  | Validity: |    | Price |
|------|---|-----------|------------------|--------------------------------|------|-----------|----|-------|
|      |   |           |                  |                                |      | From      | To |       |
| AP1  |   | MECE00397 |                  | BOARD CT40 C 230V              | 1,00 |           |    | --    |
| F1   |   | MEVR01112 |                  | CARRYNG BAG                    | 1,00 |           |    | --    |
| F2   |   | MEVR00118 |                  | FUSE 4A 250V 5X20              | 1,00 |           |    | --    |
| KM1  |   | MERL00005 |                  | SWITCH RELAY finder 230v-50hz  | 1,00 |           |    | --    |
| KM2  |   | MERL48877 |                  | RELAY 628282300000 230V        | 1,00 |           |    | --    |
| M1   |   | MOMO00239 |                  | MOTOR 230V                     | 1,00 |           |    | --    |
| M2   |   | MOMO00214 |                  | MOTOR 240V                     | 1,00 |           |    | --    |
| S1   |   | MECI36393 |                  | MICROSWITCH TRZ. DRW           | 1,00 |           |    | --    |
| SH1  |   | MECI00383 |                  | SWITCH TTR/L BIP. 230V         | 1,00 |           |    | --    |
| SH2  |   | MECI00383 |                  | SWITCH TTR/L BIP. 230V         | 1,00 |           |    | --    |
| SL1  |   | MECI00516 |                  | SENSOR DI LIVELLO ORIZZONTALE  | 1,00 |           |    | --    |
| SL2  |   | MECI00516 |                  | SENSOR DI LIVELLO ORIZZONTALE  | 1,00 |           |    | --    |
| X1   |   | MEVR01549 |                  | CARRYNG BAG                    | 1,00 |           |    | --    |
| XP1  |   | MECB00945 |                  | CABLE ALIMENTAZ. 3X1.5 L=650   | 1,00 |           |    | --    |
| XP2  |   | MEVR01157 |                  | CONNECTOR COPRI FASTON MASCHIO | 1,00 |           |    | --    |
| XP3  |   | MEVR01157 |                  | CONNECTOR COPRI FASTON MASCHIO | 1,00 |           |    | --    |
| XP4  |   | MEVR01139 |                  | CONNECTOR 2 POS. M.            | 1,00 |           |    | --    |
| XP7  |   | MEVR01313 |                  | CONNECTOR SPINA 3 P.RIF.93     | 1,00 |           |    | --    |
| XP8  |   | MEVR01313 |                  | CONNECTOR SPINA 3 P.RIF.93     | 1,00 |           |    | --    |
| XP9  |   | MEVR01283 |                  | CONNECTOR STAGNO CPL 2M        | 1,00 |           |    | --    |
| XS2  |   | MEVR01156 |                  | FASTON COVER FEMMINA           | 1,00 |           |    | --    |
| XS3  |   | MEVR01156 |                  | FASTON COVER FEMMINA           | 1,00 |           |    | --    |
| XS4  |   | MEVR01140 |                  | CONNECTOR 2 POS. F.            | 1,00 |           |    | --    |
| XS5  |   | MECI00276 |                  | CONNECTOR 1 QUATTRO VIE        | 1,00 |           |    | --    |
| XS6  |   | MEVR01535 |                  | CONNECTOR SAURO COF 4 P        | 1,00 |           |    | --    |
| XS7  |   | MEVR01312 |                  | CONNECTOR PRESA 3 P.           | 1,00 |           |    | --    |
| XS8  |   | MEVR01312 |                  | CONNECTOR PRESA 3 P.           | 1,00 |           |    | --    |
| XS9  |   | MEVR01284 |                  | CONNECTOR STAGNO CPL 2F        | 1,00 |           |    | --    |
| Y1   |   | MEEV00031 |                  | SOLENOID VALVE                 | 1,00 |           |    | --    |
| Z1   |   | MECE31132 |                  | FILTER LC LAVAM. FL.           | 1,00 |           |    | --    |